

ATDM-1012 / ATDM-1012DAN

IP Control Protocol Specifications
DIGITAL SMARTMIXER

Table of Contents

1	Introduction	6
1.1	Purpose of This Document	6
1.2	Definition of Terms/Regulation of Numerical Value Expression.....	6
2	Basic Specification	7
2.1	Communication Interface	7
2.2	Command Format	8
2.2.1	Common for Commands	8
2.2.2	Set Command/Get Command	9
2.2.3	ACK.....	10
2.2.4	NAK.....	10
2.2.5	Answer.....	11
2.2.6	Information.....	11
2.2.7	Request.....	12
3	Command List.....	13
4	TCP Communications.....	19
4.1	Communication Control	19
4.1.1	Communication Start	20
4.1.2	Control Sequence	20
4.1.3	Communication Errors	23
4.1.4	Communication End	24
4.2	Individual Command Details	25
4.2.1	Input CH Level Change Request.....	25
4.2.2	Input CH Level Acquisition Request.....	26
4.2.3	Input CH Mute State Change Request.....	28
4.2.4	Input CH Mute State Acquisition Request.....	29
4.2.5	Output CH Level Change Request.....	31
4.2.6	Output CH Level Acquisition Request.....	32
4.2.7	Output CH Mute State Change Request.....	34
4.2.8	Output CH Mute State Acquisition Request	35
4.2.9	Bus Assign Change Request.....	37
4.2.10	Bus Assign Acquisition Request.....	38
4.2.11	Operator Fader Level Change Request	40
4.2.12	Operator Fader Level Acquisition Request	41
4.2.13	Operator Fader Mute State Change Request	43
4.2.14	Operator Fader Mute State Acquisition Request	44
4.2.15	SmartMix Mode Change Request	46
4.2.16	SmartMix Mode Acquisition Request	47
4.2.17	No. of Open Mic Change Request	49
4.2.18	No. of Open Mic Acquisition Request.....	50
4.2.19	Preset Call Request.....	52

4.2.20	Preset Save Request.....	53
4.2.21	Partial Preset Call Request	54
4.3	Input Command Details	55
4.3.1	Input Gain&Level Setting Change Request	55
4.3.2	Input Gain&Level Setting Acquisition Request.....	57
4.3.3	Input Channel Setting Change Request.....	60
4.3.4	Input Channel Setting Acquisition Request.....	64
4.3.5	Sub-input Channel Setting Change Request	68
4.3.6	Sub-input Channel Setting Acquisition Request	70
4.3.7	Input Channel Bus Setting Change Request	73
4.3.8	Input Channel Bus Setting Acquisition Request.....	75
4.3.9	Input EQ Setting Change Request.....	77
4.3.10	Input EQ Setting Acquisition Request.....	79
4.3.11	FBS Common Setting Change Request.....	81
4.3.12	FBS Common Setting Acquisition Request.....	82
4.3.13	FBS Setting Change Request	84
4.3.14	FBS Setting Acquisition Request	86
4.3.15	Input Channel Dynamics Setting Change Request.....	88
4.3.16	Input Channel Dynamics Setting Acquisition Request.....	91
4.3.17	AEC Setting Change Request.....	94
4.3.18	AEC Setting Acquisition Request.....	96
4.3.19	Smart Mix Setting Change Request.....	98
4.3.20	Smart Mix Setting Acquisition Request	100
4.3.21	Smart Mix Common Setting Change Request	102
4.3.22	Smart Mix Common Setting Acquisition Request	104
4.3.23	Ducker Setting Change Request.....	106
4.3.24	Ducker Setting Acquisition Request.....	107
4.3.25	Matrix Bus Common Setting Change Request	109
4.3.26	Matrix Bus Common Setting Acquisition Request.....	110
4.3.27	Matrix Bus Name Change Request.....	112
4.3.28	Matrix Bus Name Acquisition Request	113
4.4	Output Command Details.....	115
4.4.1	Output Level Setting Change Request.....	115
4.4.2	Output Level Setting Acquisition Request.....	117
4.4.3	Output Channel Mute Setting Change Request.....	119
4.4.4	Output Channel Mute Setting Acquisition Request.....	120
4.4.5	Output Channel Setting Change Request.....	122
4.4.6	Output Channel Setting Acquisition Request	124
4.4.7	Output EQ Setting Change Request	126
4.4.8	Output EQ Setting Acquisition Request	130
4.4.9	12BandEQFunction Request.....	133
4.4.10	FBS Setting Change Request	134
4.4.11	FBS Setting Acquisition Request	134

4.4.12	Dynamics&Delay Setting Change Request.....	135
4.4.13	Dynamics&Delay Setting Acquisition Request.....	138
4.4.14	USB Out Setting Change Request.....	141
4.4.15	USB Out Setting Acquisition Request.....	142
4.4.16	Oscillator Control Setting Change Request	144
4.4.17	Oscillator Control Setting Acquisition Request.....	146
4.5	Operator Page Command Details.....	148
4.5.1	Operator Page Common Setting Change Request.....	148
4.5.2	Operator Page Common Setting Acquisition Request.....	149
4.5.3	Operator Page Setting Change Request	151
4.5.4	Operator Page Setting Acquisition Request.....	153
4.5.5	Operator Page Channel Setting Change Request.....	156
4.5.6	Operator Page Channel Setting Acquisition Request.....	158
4.5.7	Operator Page Assign Channel Setting Change Request.....	160
4.5.8	Operator Page Assign Channel Setting Acquisition Request.....	162
4.5.9	Operator Page Channel Mute Request.....	164
4.5.10	Array Mic Mute Control Request	165
4.5.11	Array Mic Mute Status Acquisition Request.....	166
4.6	System Command Details	168
4.6.1	Factory Default Setting Request	168
4.6.2	Permission Setting Change Request	170
4.6.3	Permission Setting Acquisition Request.....	172
4.6.4	Network Setting Change Request.....	173
4.6.5	Network Setting Acquisition Request	176
4.6.6	Dante Setting Change Request.....	179
4.6.7	Dante Setting Acquisition Request.....	181
4.6.8	Firmware Version Acquisition Request	183
4.6.9	Header Color Setting Change Request.....	183
4.6.10	Header Color Setting Acquisition Request.....	185
4.6.11	AT-LINK Mode Setting Change Request	187
4.6.12	AT-LINK Mode Setting Acquisition Request	188
4.6.13	AT-LINK Status Acquisition Request.....	190
4.6.14	Connected Device Limit Setting Change Request.....	192
4.6.15	Connected Device Limit Setting Acquisition Request	193
4.6.16	Connected Device Operator Page Setting Change Request.....	195
4.6.17	Connected Device Operator Page Setting Acquisition Request.....	196
4.6.18	Audio System Setting Change Request.....	198
4.6.19	Audio System Setting Acquisition Request.....	199
4.6.20	Front Panel Setting Change Request.....	201
4.6.21	Front Panel Setting Acquisition Request.....	202
4.6.22	Front Panel Function Setting Change Request.....	204
4.6.23	Front Panel Function Setting Acquisition Request.....	205
4.6.24	Log Setting Change Request	207

4.6.25	Log Setting Acquisition Request	208
4.6.26	Preset Call Request.....	210
4.6.27	Preset Save Request.....	211
4.6.28	Preset Bank Name Change Request	212
4.6.29	Preset Bank Name Acquisition Request	213
4.6.30	Boot Up Preset Setting Change Request.....	215
4.6.31	Boot Up Preset Setting Acquisition Request.....	216
4.6.32	Preset Common Setting Change Request	218
4.6.33	Preset Common Setting Acquisition Request	219
4.6.34	File Transfer Request.....	221
4.6.35	File Transfer Cancel Request.....	223
4.6.36	Export Request.....	224
4.6.37	Import Request	226
4.6.38	Level Meter Notification Interval Change Request.....	227
4.6.39	Level Meter Notification Interval Setting Acquisition Request	228
4.6.40	Level Meter Acquisition Request.....	230
4.6.41	Identify Request.....	232
4.6.42	Date Setting Request	233
4.6.43	Reboot Request.....	234
4.6.44	Device ID Acquisition Request	235
4.6.45	Preset Number Acquisition Request	235
4.6.46	Partial Preset Call Request	237
4.6.47	Partial Preset Number Acquisition Request	238
5	UDP Communications	239
5.1	Communication Control	239
5.1.1	Communication Start	239
5.1.2	Control Sequence	239
5.1.3	Communication Errors.....	239
5.1.4	Communication End	239
5.2	Command Details	240
5.2.1	Level Meter Notification	240
5.2.2	Input Gain/Level Setting Notification	243
5.2.3	Output Level Setting Notification	244
5.2.4	Output Channel Mute Setting Notification	245
5.2.5	Operator Page Channel Setting Notification	246
5.2.6	Array Mic Mute Status Notification	247
5.2.7	Recording Status Notification	248
5.2.8	Preset Call Notification	249
5.2.9	Partial Preset Call Notification	250
5.2.10	Open Channel State Notification	250
5.2.11	Can Cut Setting Notification	251
5.2.12	FBS Notification	252
6	Appendix.....	254

6.1	Fader Table.....	254
6.2	Frequency Table	255
6.3	Q Value Table	256
6.4	EQ Gain Table	257
6.5	Input Gain Table	258
6.6	Transfer data type.....	259

1 Introduction

1.1 Purpose of This Document

These specifications are of commands to control ATDM-1012 developed by Audio-Technica Corporation.

1.2 Definition of Terms/Regulation of Numerical Value Expression

Terms used in this document are defined.

Term	Meaning
Host	Equipment to issue control commands. Application software and equipment for controlling are referred to.
Device	Equipment to be controlled.
AT device	A product by Audio-Technica is referred to among devices.
Message	A character string transmitted/received with one communication on a data format.
Command	A command sentence to control equipment. Included in a message.
Parameter	Used in the combination with commands. A setting value to specify operations of commands.

The numerical value expression is defined below.

Binary number: "b" is added after a number.

Example: 1010 0110b

Hexadecimal number: "0x" is added before a number.

Example: 0xA6

2 Basic Specification

For the IP control function, ATDM-1012 is controlled by TCP or UDP protocols.

2.1 Communication Interface

Table 2-1 Communication Interface

No	Item	Content	Remarks
1.	Communication system	All duplicated communication	
2.	Communication speed	10Mbps / 100Mbps	
3.	Port number	Described later	
4.	Max. data length ¹	287 bytes (linefeed code included)	Ethernet communication header: 32 bytes, control command: 255 bytes
5.	Compatible connector	Device side: RJ45 connector (10/100 Mbps supported) Cable: CAT5e or higher	

¹ **File Transfer Request** and **Export Request** are exceptional.

2.2 Command Format

Transmitted/received commands are classified as below.

Table 2-2 Communication Interface

No	Command	Content	Remarks
1.	Set Command	Operation command	ATDM-1012 setting is changed
2.	Get Command	Operation command	ATDM-1012 setting and state are obtained
3.	ACK	Acknowledgment	Response for Set Command
4.	NAK	Negative acknowledgment	Response for Set Command
5.	Answer	Setting state notification	Return for Get Command
6.	Information	State change notification	ATDM-1012 setting/state change is notified of
7.	Request	Operation request	Operation is requested to the host

2.2.1 Common for Commands

- [1] A half-width space (␣: 0x20) is used as a delimiter.
- [2] Basically ASCII codes are used for commands and UTF-8 is used for parameters (Ex.: Naming equipment, etc.) for specific commands.
- [3] CR(0x0d) is used for command termination.

Example:

```
s_permission␣S␣0000␣00␣NC␣"ATDM-1012",0,,,,,,,,␣␣
factory␣ACK␣␣
factory␣NAK␣01␣␣
g_permission␣0000␣00␣NC␣"ATDM-1012",0,,,,,,,,␣␣
MD open_channel_notice␣0000␣00␣NC␣0,0,0,0,0,0␣␣
```

- ␣: A space is indicated
- ␣: CR(0x0d) is indicated
- ■: A parameter of a command is indicated

2.2.2 Set Command/Get Command

The command format of an operation command is described below.

Table 2-3 Command Format of Operation Command

No	Item	Content	size	Remarks
1.	Command	Command character string	5byte	See 3.Command List
2.	Handshake Select	Sequence execution method	1byte	H: Handshake method (unused) O: One way method S: ACK/NAK format
3.	Model ID	Unused	4byte	0000 fixed
4.	Unit No	Device ID	2byte	00 - FF
5.	Continue Select	Message division method	2byte	NC: Without message division CS: Top of a divided message CM: Divided message CE: End of divided message
6.	Parameter	A parameter of a command	0 byte -	See Chapter 4
7.	End Character	Termination character of a message	1byte	CR (0x0D)

2.2.2.1 Omitting a parameter

When a command is transmitted from the host, the parameter can be omitted. When data are not specified with a comma (,) separation or space (), the parameter is omitted.

Example: When all parameters are omitted

s_permission_S_0000_00_NC_//////_↓

However, depending on commands,

- When all parameter are omitted, an error may occur
- Parameters may not be omitted but be unspecified

The above cases and parameters which cannot be omitted are described in each command of Chapter 4.6 and subsequent chapters.

2.2.3ACK

The command format of an acknowledgment is described below.

Table 2-4 Command Format of Acknowledgment

No	Item	Content	Size	Remarks
1.	Command	Command character string	5byte	See 3.Command List
2.	ACK	ACK	3byte	ACK fixed
3.	End Character	Termination character of a message	1byte	CR (0x0D)

2.2.4NAK

The command format of a negative acknowledgment is described below.

Table 2-5 Command Format of Negative Acknowledgment

No	Item	Content	Size	Remarks
1.	Command	Command character string	5byte	See 3.Command List
2.	NAK	NAK	3byte	NAK fixed
3.	Error Code	Error code	2byte	See Table 2-6
4.	End Character	Termination character of a message	1byte	CR (0x0D)

2.2.4.1 Error code

Error codes are described below.

Table 2-6 Error Code

Error code	Error detail	Remarks
01	Grammatical error	<ul style="list-style-type: none"> Mandatory elements do not exist The character string of a mandatory element has an error The length of a character string of each element is outside of the specified range The length of a message character string including a linefeed code is longer than the maximum value
02	Invalid command	<ul style="list-style-type: none"> A command cannot be found (A command which does not exist has been specified. A command which cannot be used for the device has been specified.)
03	Divided transmission error	<ul style="list-style-type: none"> "CM" or "CE" has been specified while "CS" of Continue Select has not been received
04	Parameter error	<ul style="list-style-type: none"> Invalid CH has been specified The parameter is outside of the specified range A parameter not to be changed is to be changed (Priority change during talking, etc.)
05	Transmission timeout	Unused
90	Busy	Processing unavailable due to Busy state
92	Busy (evacuation mode)	Processing unavailable due to p-Fail (power cut) occurred
93	Busy(Extension ²)	Processing unavailable (unused) due to Extension mode (CU link)
99	Other errors	Errors other than above

2.2.5 Answer

The command format of a setting state return is described below.

Table 2-7 Command Format of Setting State Return

No	Item	Content	size	Remarks
1.	Command	Command character string	5byte	See 3.Command List
2.	Model ID	Unused	4byte	0000 fixed
3.	Unit No	Device ID	2byte	00 - FF
4.	Continue Select	Message division method	2byte	NC: Without message division CS: Top of a divided message CM: Divided message CE: End of divided message
5.	Parameter	A parameter of a command	0 byte -	See Chapter 4 and Chapter 5
6.	End Character	Termination character of a message	1byte	CR (0x0D)

2.2.6 Information

The command format of a state change notification is described below.

Table 2-8 Command Format of State Change Notification

No	Item	Content	size	Remarks
1.	Modify	MD	2byte	MD fixed
2.	Command	Command character string	5byte	See 3.Command List
3.	Model ID	Unused	4byte	0000 fixed
4.	Unit No	Device ID	2byte	00 - FF
5.	Continue Select	Message division method	2byte	NC: Without message division CS: Top of a divided message CM: Divided message CE: End of divided message
6.	Parameter	A parameter of a command	0 byte -	See Chapter 5
7.	End Character	Termination character of a message	1byte	CR (0x0D)

2.2.7 Request

The command format of an operation request is described below.

Table 2-9 Command Format of Operation Request

No	Item	Content	size	Remarks
1.	Request	RQ	2byte	RQ fixed
2.	Command	Command character string	5byte	See 3.Command List
3.	Model ID	Unused	4byte	0000 fixed
4.	Unit No	Unused	2byte	00 fixed
5.	Continue Select	Message division method	2byte	NC: Without message division CS: Top of a divided message CM: Divided message CE: End of divided message
6.	Parameter	A parameter of a command	0 byte -	See Chapter 4
7.	End Character	Termination character of a message	1byte	CR (0x0D)

3 Command List

Table 3-1 Command List

No	Category	Command	Command Name	Remarks	type			Compatibility with ATDM-0604	Compatibility with CN Version
					set	get	info		
1	Individual command	SICL	Input CH Level Change Request		○			-	
2		GICL	Input CH Level Acquisition Request			○		-	
3		SICM	Input CH Mute State Change Request		○			-	
4		GICM	Input CH Mute State Acquisition Request			○		-	
5		SOCL	Output CH Level Change Request		○			-	
6		GOCL	Output CH Level Acquisition Request			○		-	
7		SOCM	Output CH Mute State Change Request		○			-	
8		GOCM	Output CH Mute State Acquisition Request			○		-	
9		SBUS	Bus Assign Change Request		○			-	
10		GBUS	Bus Assign Acquisition Request			○		-	
11		SOPL	Operator Fader Level Change Request		○			-	
12		GOPL	Operator Fader Level Acquisition Request			○		-	
13		SOPM	Operator Fader Mute State Change Request		○			-	
14		GOPM	Operator Fader Mute State Acquisition Request			○		-	
15		SSMM	SmartMix Mode Change Request		○			-	
16		GSMM	SmartMix Mode Acquisition Request			○		-	
17		NOOM	No. of Open Mic Change Request		○			-	
18		GNOOM	No. of Open Mic Acquisition Request			○		-	
19		CALLP	Preset Call Request		○			-	
20		REGIP	Preset Save Request		○			-	
21		CALLPP	Partial Preset Call Request		○			-	No
22	Input	s_input_gain_level	Input Gain&Level Setting Change Request		○			Yes	
23		g_input_gain_level	Input Gain&Level Setting Acquisition Request			○		Yes	
24		input_gain_level_meter_notice	Input Gain/Level Setting Notification				○	Yes	
25		s_input_channel_settings	Input Channel Setting Change Request		○			Yes	

No	Category	Command	Command Name	Remarks	type			Compatibility with ATDM-0604	Compatibility with CN Version
					set	get	info		
26		g_input_channel_settings	Input Channel Setting Acquisition Request			o		Yes	
27		s_subinput_channel_settings	Sub-input Channel Setting Change Request		o			-	
28		g_subinput_channel_settings	Sub-input Channel Setting Acquisition Request			o		-	
29		s_input_channel_bus_settings	Input Channel Bus Setting Change Request		o			-	
30		g_input_channel_bus_settings	Input Channel Bus Setting Acquisition Request			o		-	
31		s_input_eq	Input EQ Setting Change Request		o			Yes	
32		g_input_eq	Input EQ Setting Acquisition Request			o		Yes	
33		s_fbs_general	FBS Common Setting Change Request		o			Yes	
34		g_fbs_general	FBS Common Setting Acquisition Request			o		Yes	
35		s_fbs	FBS Setting Change Request		o			Yes	
36		g_fbs	FBS Setting Acquisition Request			o		Yes	
37		s_input_channel_comp_settings	Input Channel Dynamics Setting Change Request		o			-	
38		g_input_channel_comp_settings	Input Channel Dynamics Setting Acquisition Request			o		-	
39		s_aec_general	AEC Setting Change Request		o			Yes	No
40		g_aec_general	AEC Setting Acquisition Request			o		Yes	No
41		s_smart_mix	Smart Mix Setting Change Request		o			No	
42		g_smart_mix	Smart Mix Setting Acquisition Request			o		No	
43		s_smart_mix_general	Smart Mix Common Setting Change Request		o			Yes	
44		g_smart_mix_general	Smart Mix Common Setting Acquisition Request			o		Yes	
45		open_channel_notice	Open Channel State Notification				o	No	No
46		can_cut_notice	Can Cut Setting Notification				o	Yes	No
47		s_ducker_general	Ducker Setting Change Request		o			No	
48		g_ducker_general	Ducker Setting Acquisition Request			o		No	
49		s_matrix_general	Matrix Bus Common Setting Change Request		o			-	
50		g_matrix_general	Matrix Bus Common Setting Acquisition Request			o		-	

No	Category	Command	Command Name	Remarks	type			Compatibility with ATDM-0604	Compatibility with CN Version
					set	get	info		
51	アウトプット	s_name_bus	Matrix Bus Name Change Request		○				
52		g_name_bus	Matrix Bus Name Acquisition Request			○			
53		s_output_level	Output Level Setting Change Request		○			Yes	
54		g_output_level	Output Level Setting Acquisition Request			○		Yes	
55		output_level_notice	Output Level Setting Notification				○	Yes	
56		s_output_mute	Output Channel Mute Setting Change Request		○			Yes	
57		g_output_mute	Output Channel Mute Setting Acquisition Request			○		Yes	
58		output_mute_notice	Output Channel Mute Setting Notification				○	Yes	
59		s_output_channel_settings	Output Channel Setting Change Request		○			Yes	
60		g_output_channel_settings	Output Channel Setting Acquisition Request			○		Yes	
61		s_output_eq	Output EQ Setting Change Request		○			Yes	
62		g_output_eq	Output EQ Setting Acquisition Request			○		Yes	
63		s_output_12eq_func	12BandEQFunction Request		○			-	
64		s_fbs	FBS Setting Change Request		○			Yes	
65		g_fbs	FBS Setting Acquisition Request			○		Yes	
66		fbs_notice	FBS Notification				○	No	No
67		s_dynamics_delay	Dynamics&Delay Setting Change Request		○			No	
68		g_dynamics_delay	Dynamics&Delay Setting Acquisition Request			○		No	
69		s_usb_out	USB Out Setting Change Request		○			No	
70	g_usb_out	USB Out Setting Acquisition Request			○		No		
71	s_oscillator	Oscillator Control Setting Change Request		○			-		
72	g_oscillator	Oscillator Control Setting Acquisition Request			○		-		
73	Operator page	s_operator_general	Operator Page Common Setting Change Request		○			No	
74		g_operator_general	Operator Page Common Setting Acquisition Request			○		No	
75		s_operator_pagesettings	Operator Page Setting Change Request		○			-	
76		g_operator_pagesettings	Operator Page Setting Acquisition Request			○		-	

No	Category	Command	Command Name	Remarks	type			Compatibility with ATDM-0604	Compatibility with CN Version
					set	get	info		
77		s_operator_channel	Operator Page Channel Setting Change Request		○			-	
78		g_operator_channel	Operator Page Channel Setting Acquisition Request			○		-	
79		operator_channel_notice	Operator Page Channel Setting Notification				○	Yes	
80		s_operator_assign	Operator Page Assign Channel Setting Change Request		○			-	
81		g_operator_assign	Operator Page Assign Channel Setting Acquisition Request			○		-	
82		s_operator_mute	Operator Page Channel Mute Request		○			Yes	
83		s_arraymic_mute	Array Mic Mute Control Request		○			Yes	
84		g_arraymic_mute	Array Mic Mute Status Acquisition Request			○		Yes	
85		arraymic_mute_notice	Array Mic Mute Status Notification				○	Yes	
86		rec_status_notice	Recording Status Notification				○	-	
87	System setting	factory_settings	Factory Default Setting Request		○			-	
88		g_deviceid	Device ID Acquisition Request			○		-	
89		s_permission	Permission Setting Change Request		○			Yes	
90		g_permission	Permission Setting Acquisition Request			○		Yes	
91		s_network	Network Setting Change Request		○			Yes	
92		g_network	Network Setting Acquisition Request			○		Yes	
93		s_network_dante	Dante Setting Change Request		○			-	
94		g_network_dante	Dante Setting Acquisition Request			○		-	
95		g_firmware_version	Firmware Version Acquisition Request			○		Yes	
96		s_header_color	Header Color Setting Change Request		○			Yes	
97		g_header_color	Header Color Setting Acquisition Request			○		Yes	
98		s_link	AT-LINK Mode Setting Change Request		○			Yes	
99		g_link	AT-LINK Mode Setting Acquisition Request			○		Yes	
100		g_link_extstatus	AT-LINK Status Acquisition Request			○		-	
101		s_connected_limit	Connected Device Limit Setting Change Request		○			Yes	
102		g_connected_limit	Connected Device Limit Setting Acquisition Request			○		Yes	

No	Category	Command	Command Name	Remarks	type			Compatibility with ATDM-0604	Compatibility with CN Version
					set	get	info		
103		s_connected_page	Connected Device Operator Page Setting Change Request		○			-	
104		g_connected_page	Connected Device Operator Page Setting Acquisition Request			○		-	
105		s_audio_system	Audio System Setting Change Request		○			No	
106		g_audio_system	Audio System Setting Acquisition Request			○		No	
107		s_front_panel	Front Panel Setting Change Request		○			No	
108		g_front_panel	Front Panel Setting Acquisition Request			○		No	
109		s_front_panel_limit	Front Panel Function Setting Change Request		○			-	
110		g_front_panel_limit	Front Panel Function Setting Acquisition Request			○		-	
111		s_log	Log Setting Change Request		○			Yes	
112		g_log	Log Setting Acquisition Request			○		Yes	
113		call_preset	Preset Call Request		○			Yes	
114		save_preset	Preset Save Request		○			Yes	
115		s_name_bank	Preset Bank Name Change Request		○			Yes	
116		g_name_bank	Preset Bank Name Acquisition Request			○		Yes	
117		s_bootup_preset	Boot Up Preset Setting Change Request		○			Yes	
118		g_bootup_preset	Boot Up Preset Setting Acquisition Request			○		Yes	
119		s_preset_general	Preset Common Setting Change Request		○			-	
120		g_preset_general	Preset Common Setting Acquisition Request			○		-	
121		g_preset_number	Preset Number Acquisition Request			○		-	
122		recall_preset_notice	Preset Call Notification				○	-	
123		call_partial_preset	Partial Preset Call Request		○				No
124		g_partial_preset_number	Partial Preset Number Acquisition Request			○			No
125		recall_partial_preset_notice	Partial Preset Call Notification				○		No
126		file_transfer	File Transfer Request		○			Yes	
127		file_transfer_cancel	File Transfer Cancel Request		○			Yes	
128		export	Export Request			○		Yes	

No	Category	Command	Command Name	Remarks	type			Compatibility with ATDM-0604	Compatibility with CN Version
					set	get	info		
129		import	Import Request		○			Yes	
130		s_level_meter_interval	Level Meter Notification Interval Change Request		○			Yes	
131		g_level_meter_interval	Level Meter Notification Interval Setting Acquisition Request			○		-	
132		g_level_meter	Level Meter Acquisition Request			○		No	
133		level_meter_notice	Level Meter Notification				○	No	
134		identify	Identify Request		○			Yes	
135		s_date	Date Setting Request		○			Yes	
136		reboot	Reboot Request		○			-	

4 TCP Communications

To control the ATDM-1012 from the host, TCP protocol is used for communications.

4.1 Communication Control

The following figure shows the communication control flow of IP control.

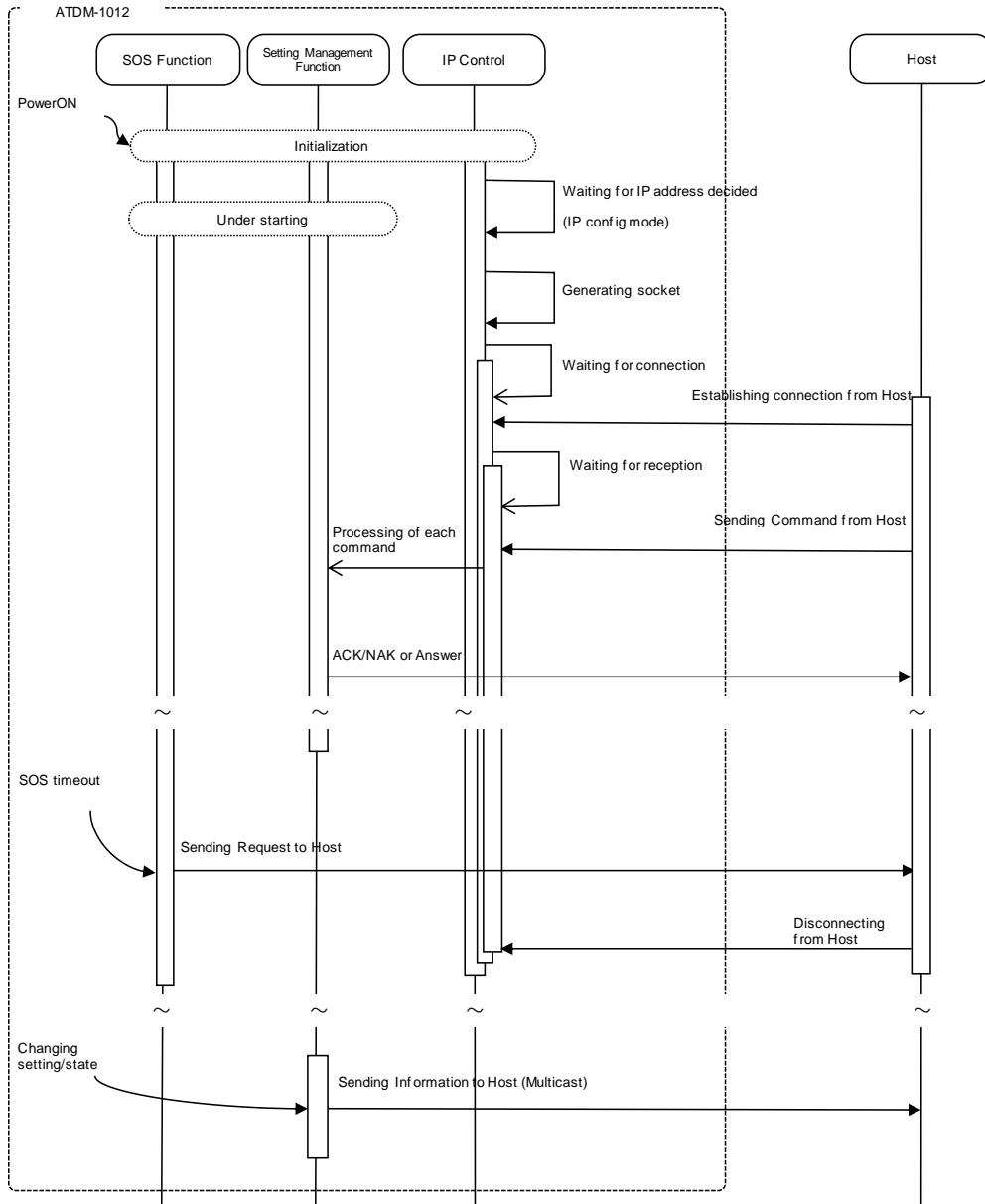


Figure 4-1 Communication Control Flow

- After the system is booted, the status changes from initializing to connection waiting.
- When the host establishes connection with the system, the status changes from connection waiting to reception waiting.
- Received commands are processed by internal processing tasks, and the results (ACK/NAK) are sent.
Since commands are asynchronously processed, reception is possible even during processing (The next command can be sent without waiting for ACK/NAK and Answer). However, some commands return NAK (90: BUSY).
- When the system is disconnected from the host, the status changes from reception waiting to connection waiting.

4.1.1 Communication Start

The host establishes connections with the ATDM-1012.
 Simultaneous connection is limited to 5 devices. If the number exceeds the upper limit, the extra connection fails.

Table 4-1 Communication Control Parameters

No	Name	Default Setting	Remarks
1.	IPAddress	Auto	
2.	Port No	17300	

4.1.2 Control Sequence

4.1.2.1 Set Command

Responding to a Set Command, the ATDM-1012 sends ACK/NAK to the sender.

<Example> The sequence of factory default setting is shown below.

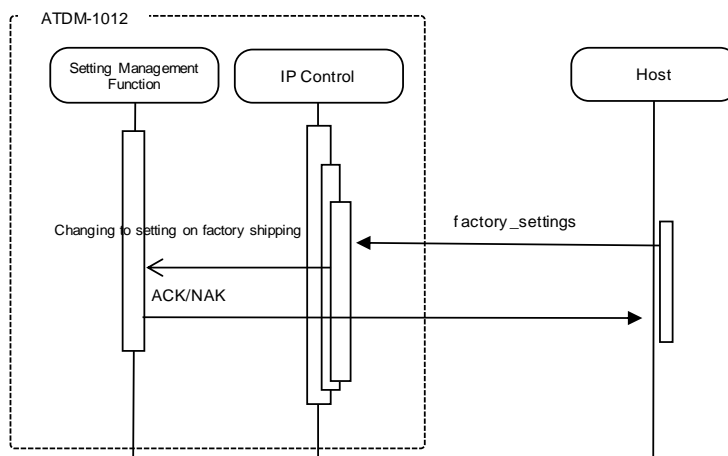


Figure 4-2 Set Command Processing Sequence

If an error occurs in a Set Command, such as a syntax error or incorrect parameter, an NAK command is sent to the sender.

4.1.2.2 Get Command

Responding to a Get Command, the ATDM-1012 sends Answer to the sender.

<Example> The sequence of Output Level Setting Acquisition Request is shown below.

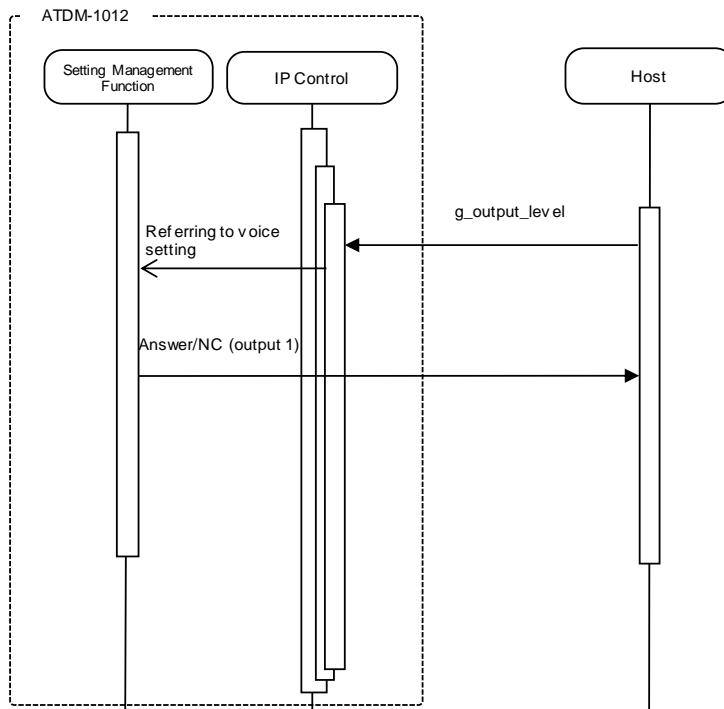


Figure 4-3 Get Command Processing Sequence

If an error occurs in a Get Command, such as a syntax error or incorrect parameter, a NAK command is sent to the sender.

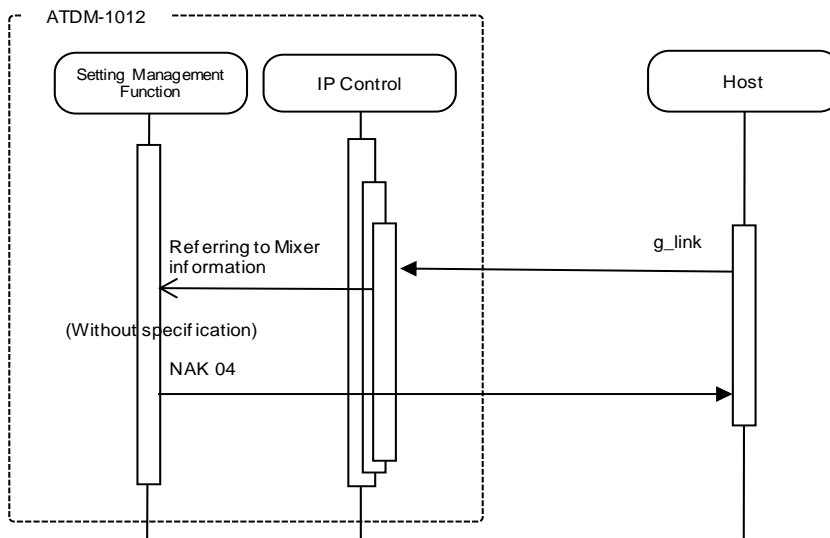


Figure 4-4 Get Command Processing Sequence (NAK)

4.1.2.3 Request

The ATDM-1012 sends a Request command at any timing. (Not supported)

<Example> The sequence of status check notification is shown below.
 The ATDM-1012 sends the status check notification command to all the connected sockets.
 A host receiving the status check notification command needs to send a specific command to the ATDM-1012.

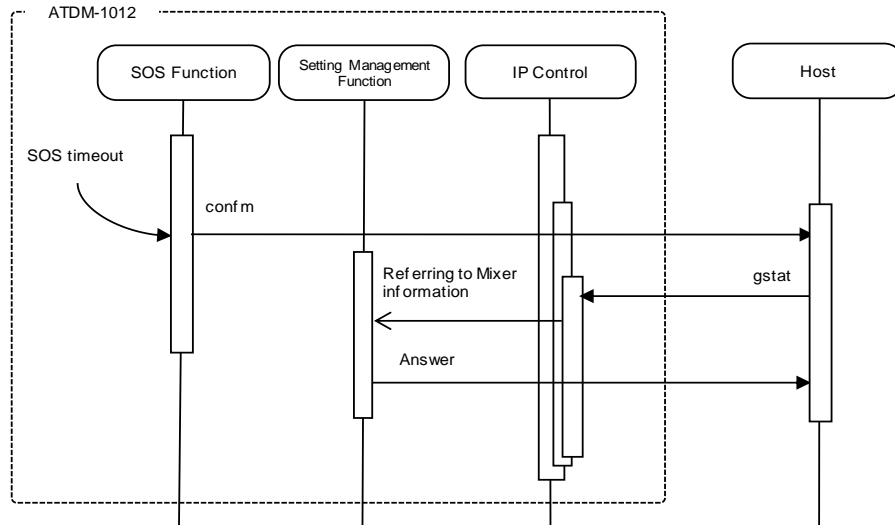


Figure 4-5 Request Command Processing Sequence

4.1.3 Communication Errors

4.1.3.1 Transmission Errors

The following figure shows the sequence when an ACK/NAK transmission error occurs.

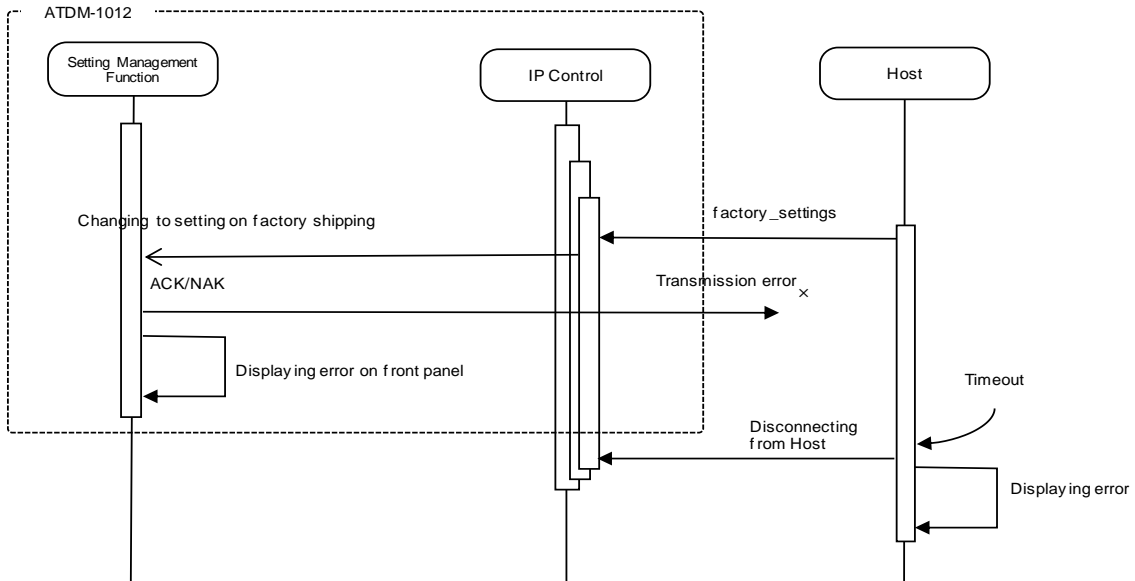


Figure 4-6 Sequence for Transmission Errors

4.1.3.2 Receive Errors

The following figure shows the sequence when a command receive error occurs.

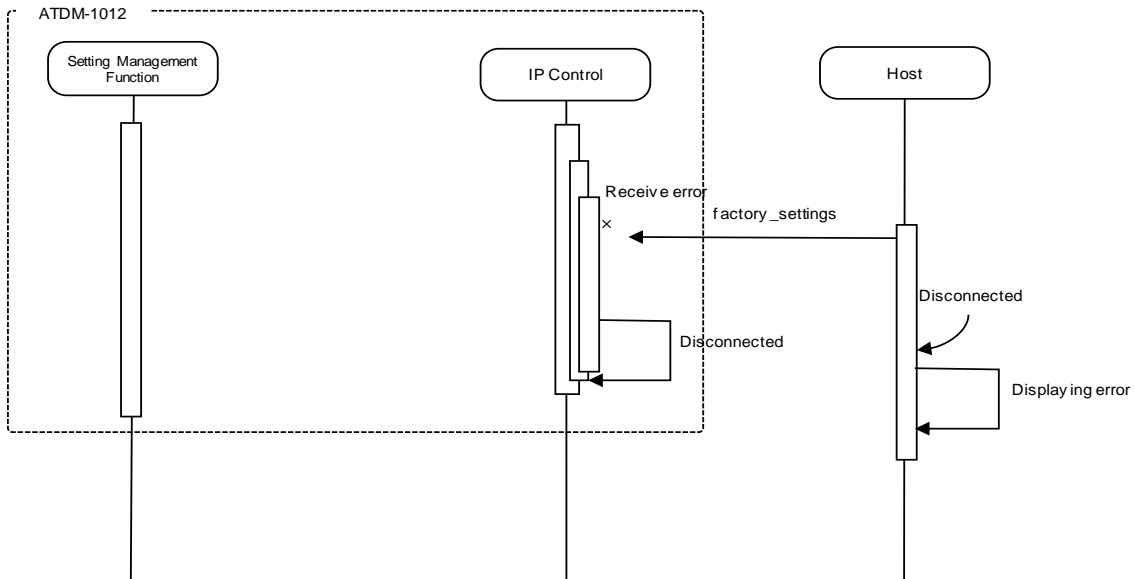


Figure 4-7 Sequence for Receive Errors

4.1.3.3 Divided Message Receive Timeouts

The following figure shows the sequence when a divided message receive timeout occurs.

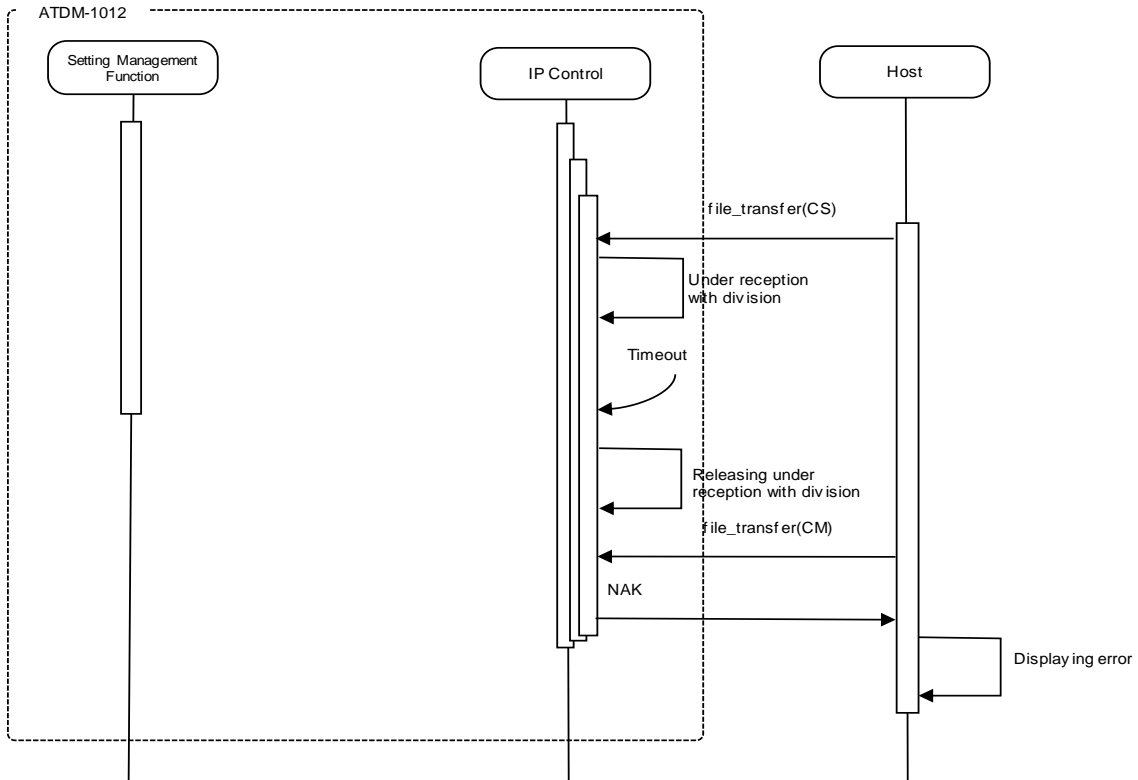


Figure 4-8 Sequence for Divided Message Receive Timeouts

4.1.4 Communication End

The host can be disconnected at any timing when communications end. When it is disconnected, the ATDM-1012 clears the corresponding connection state (Example: File transferring) and enters the connection wait state again. This occurs even if a cable is disconnected. To communicate again, the host needs to establish connection.

4.2 Individual Command Details

4.2.1 Input CH Level Change Request

After receiving the Input CH Level Change Request, the ATDM-1012 sends the processing results to the host via ACK or NAK.

[1] Set Command

The command format of the Input CH Level Change Request from the host is shown below.

SICL_S_0000_00_NC_1,511_↓

Table 4-2 Command Format

No	item	Description	type	value	value description	remarks
1	Command	Command character	string	SICL		
2	HandShake Select	Sequence execution method	string	S		
3	Model ID	Unused	string	0000	Unused	
4	Unit No	Unused	string	00	Unused	
5	Continue Select	Message division method	string	NC	No divided message	
6	Parameter	Parameter				
	Input Channel Select	Input channel select	string	0 - 9	Input Channel 1 - 10	
				10	Input ST1	
				11	Input ST2	
				12 - 19	Sub Input Channel 1 - 8	
Level	Level	string	0 - 511	-∞, -120 to +10 dB	See 6.1 Fader Table.	
7	End Character	Termination character of a message	binary	0x0d	CR	

[2] ACK/NAK

See Factory Default Setting Request[2].

4.2.2 Input CH Level Acquisition Request

After receiving the Input CH Level Acquisition Request, the ATDM-1012 sends the input CH level to the host via Answer.

[1] Get Command

The command format of the Input CH Level Acquisition Request from the host is shown below.

GICL_O_0000_00_NC_1_↓

Table 4-3 Command Format

No	item	Description	type	value	value description	remarks
1	Command	Command character	string	GICL		
2	HandShake Select	Sequence execution method	string	O		
3	Model ID	Unused	string	0000	Unused	
4	Unit No	Unused	string	00	Unused	
5	Continue Select	Message division method	string	NC	No divided message	
6	Parameter	Parameter				
	Input Channel Select	Input channel select	string	0 - 9	Input Channel 1 - 10	
				10	Input ST1	
				11	Input ST2	
12 - 19				Sub Input Channel 1 - 8		
7	End Character	Termination character of a message	binary	0x0d	CR	

[2] Answer

The Answer command format from the ATDM-1012 is shown below.

GICL_0000_00_NC_1,511_↵

Table 4-4 Answer Command Format

No	item	Description	type	value	value description	remarks
1	Command	Command string	string	GICL		
2	Model ID	Unused	string	0000	Unused	
3	Unit No	Device ID	string	00 – FF	Device ID	
4	Continue Select	Message division method	string	NC	No divided message	
5	Parameter	Parameter	string			
	Input Channel Select	Input channel select	string	0 - 9	Input Channel 1 - 10	
				10	Input ST1	
				11	Input ST2	
Level	Level	string	12 - 19	Sub Input Channel 1 - 8		
			0 - 511	-∞, -120 to +10 dB	See 6.1 Fader Table.	
6	End Character	Termination character of a message	binary	0x0d	CR	

4.2.3 Input CH Mute State Change Request

After receiving the Input CH Mute State Change Request, the ATDM-1012 sends the processing results to the host via ACK or NAK.

[1] Set Command

The command format of the Input CH Mute State Change Request from the host is shown below.

SICM_S_0000_00_NC_1,1_↵

Table 4-5 Command Format

No	item	Description	type	value	value description	remarks
1	Command	Command character	string	SICM		
2	HandShake Select	Sequence execution method	string	S		
3	Model ID	Unused	string	0000	Unused	
4	Unit No	Unused	string	00	Unused	
5	Continue Select	Message division method	string	NC	No divided message	
6	Parameter	Parameter				
	Input Channel Select	Input channel select	string	0 - 9	Input Channel 1 - 10	
				10	Input ST1	
				11	Input ST2	
				12 - 19	Sub Input Channel 1 - 8	
	Mute	Mute	string	0	Disable	
1				Enable		
7	End Character	Termination character of a message	binary	0x0d	CR	

[2] ACK/NAK

See Factory Default Setting Request[2].

4.2.4 Input CH Mute State Acquisition Request

After receiving the Input CH Mute State Acquisition Request, the ATDM-1012 sends the input CH Mute state to the host via Answer.

[1] Get Command

The command format of the Input CH Mute State Acquisition Request from the host is shown below.

GICM_O_0000_00_NC_1_↵

Table 4-6 Command Format

No	item	Description	type	value	value description	remarks
1	Command	Command string	character	string	GICM	
2	HandShake Select	Sequence method	execution	string	O	
3	Model ID	Unused		string	0000	Unused
4	Unit No	Unused		string	00	Unused
5	Continue Select	Message method	division	string	NC	No divided message
6	Parameter	Parameter	-	-	-	No parameter
	Input Channel Select	Input channel select	string	0 - 9	Input Channel 1 - 10	
				10	Input ST1	
				11	Input ST2	
12 - 19				Sub Input Channel 1 - 8		
7	End Character	Termination character of a message	binary	0x0d	CR	

[2] Answer

The Answer command format from the ATDM-1012 is shown below.

GICM_0000_00_NC_1,1_↵

Table 4-7 Answer Command Format

No	item	Description	type	value	value description	remarks
1	Command	Command character	string	GICM		
2	Model ID	Unused	string	0000	Unused	
3	Unit No	Device ID	string	00 – FF	Device ID	
4	Continue Select	Message division method	string	NC	No divided message	
5	Parameter Input Channel Select	Parameter Input channel select	string			
				0 - 9	Input Channel 1 - 10	
				10	Input ST1	
				11	Input ST2	
	12 - 19	Sub Input Channel 1 - 8				
Mute	Mute	string	0	Disable		
			1	Enable		
6	End Character	Termination character of a message	binary	0x0d	CR	

4.2.5 Output CH Level Change Request

After receiving the Output CH Level Change Request, the ATDM-1012 sends the processing results to the host via ACK or NAK.

[1] Set Command

The command format of the Output CH Level Change Request from the host is shown below.

SOCL_S_0000_00_NC_1,511_↓

Table 4-8 Command Format

No	item	Description	type	value	value description	remarks
1	Command	Command character string	string	SOCL		
2	HandShake Select	Sequence execution method	string	S		
3	Model ID	Unused	string	0000	Unused	
4	Unit No	Unused	string	00	Unused	
5	Continue Select	Message division method	string	NC	No divided message	
6	Parameter	Parameter				
	Output Channel Select	Output channel select	string	0 - 7	Output Channel 1 - 8	
				8	Output ST1	
				9	Output ST2	
Level	Level	string	0 - 511	-∞, -120 to +10 dB	See 6.1 Fader Table.	
7	End Character	Termination character of a message	binary	0x0d	CR	

[2] ACK/NAK

See Factory Default Setting Request[2].

4.2.6 Output CH Level Acquisition Request

After receiving the Output CH Level Acquisition Request, the ATDM-1012 sends the output CH level to the host via Answer.

[1] Get Command

The command format of the Output CH Level Acquisition Request from the host is shown below.

GOCL_O_0000_00_NC_1_↓

Table 4-9 Command Format

No	item	Description	type	value	value description	remarks
1	Command	Command character string	string	GOCL		
2	HandShake Select	Sequence execution method	string	0		
3	Model ID	Unused	string	0000	Unused	
4	Unit No	Unused	string	00	Unused	
5	Continue Select	Message division method	string	NC	No divided message	
6	Parameter Output Channel Select	Parameter Output channel select	-	-	No parameter	
				0 - 7	Output Channel 1 - 8	
				8	Output ST1	
				9	Output ST2	
7	End Character	Termination character of a message	binary	0x0d	CR	

[2] Answer

The Answer command format from the ATDM-1012 is shown below.

GOCL_0000_00_NC_1,511_↵

Table 4-10 Answer Command Format

No	item	Description	type	value	value description	remarks
1	Command	Command character	string	GOCL		
2	Model ID	Unused	string	0000	Unused	
3	Unit No	Device ID	string	00 – FF	Device ID	
4	Continue Select	Message division method	string	NC	No divided message	
5	Parameter	Parameter	string			
	Output Channel Select	Output channel select	string	0 - 7	Output Channel 1 - 8	
				8	Output ST1	
				9	Output ST2	
Level	Level	string	0 - 511	-∞, -120 to +10 dB	See 6.1 Fader Table.	
6	End Character	Termination character of a message	binary	0x0d	CR	

4.2.7 Output CH Mute State Change Request

After receiving the Output CH Mute State Change Request, the ATDM-1012 sends the processing results to the host via ACK or NAK.

[1] Set Command

The command format of the Input CH Mute State Change Request from the host is shown below.

SOCM_S_0000_00_NC_1,1_↵

Table 4-11 Command Format

No	item	Description	type	value	value description	remarks
1	Command	Command character string	string	SOCM		
2	HandShake Select	Sequence execution method	string	S		
3	Model ID	Unused	string	0000	Unused	
4	Unit No	Unused	string	00	Unused	
5	Continue Select	Message division method	string	NC	No divided message	
6	Parameter Output Channel Select	Parameter Output channel select	string	0 - 7	Output Channel 1 - 8	
				8	Output ST1	
				9	Output ST2	
	Mute	Mute	string	0	Disable	
				1	Enable	
7	End Character	Termination character of a message	binary	0x0d	CR	

[2] ACK/NAK

See Factory Default Setting Request[2].

4.2.8 Output CH Mute State Acquisition Request

After receiving the Output CH Mute State Acquisition Request, the ATDM-1012 sends the output CH Mute state to the host via Answer.

[1] Get Command

The command format of the Output CH Mute State Acquisition Request from the host is shown below.

GOCM_O_0000_00_NC_1_↵

Table 4-12 Command Format

No	item	Description	type	value	value description	remarks
1	Command	Command character string	string	GOCM		
2	HandShake Select	Sequence execution method	string	0		
3	Model ID	Unused	string	0000	Unused	
4	Unit No	Unused	string	00	Unused	
5	Continue Select	Message division method	string	NC	No divided message	
6	Parameter Output Channel Select	Parameter Output channel select	-	-	No parameter	
				0 - 7	Output Channel 1 - 8	
				8	Output ST1	
				9	Output ST2	
7	End Character	Termination character of a message	binary	0x0d	CR	

[2] Answer

The Answer command format from the ATDM-1012 is shown below.

GOCM_0000_00_NC_1,1_↵

Table 4-13 Answer Command Format

No	item	Description	type	value	value description	remarks
1	Command	Command character string	string	GOCM		
2	Model ID	Unused	string	0000	Unused	
3	Unit No	Device ID	string	00 – FF	Device ID	
4	Continue Select	Message division method	string	NC	No divided message	
5	Parameter	Parameter	string			
	Output Channel Select	Output channel select	string	0 - 7	Output Channel 1 - 8	
				8	Output ST1	
				9	Output ST2	
	Mute	Mute	string	0	Disable	
1				Enable		
6	End Character	Termination character of a message	binary	0x0d	CR	

4.2.9 Bus Assign Change Request

After receiving the Bus Assign Change Request, the ATDM-1012 sends the processing results to the host via ACK or NAK.

[1] Set Command

The command format of the Bus Assign Change Request from the host is shown below.

SBUS_S_0000_00_NC_1,1,2,411_↓

Table 4-14 Command Format

No	item	Description	type	value	value description	remarks
1	Command	Command character	string	SBUS		
2	HandShake Select	Sequence execution method	string	S		
3	Model ID	Unused	string	0000	Unused	
4	Unit No	Unused	string	00	Unused	
5	Continue Select	Message division method	string	NC	No divided message	
6	Parameter	Parameter				
	Input Channel Select	Input channel select	string	0 - 9	Input Channel 1 - 10	
				10	Input ST1	
				11	Input ST2	
				12 - 19	Sub Input Channel 1 - 8	
	Bus Channel	Bus channel	string	1 - 12	Bus channel	
	Bus Assign	Bus assign	string	0	Off	
1				Smart Mix Pre Assign		
2				Smart Mix Post Assign		
Level	Level	string	0 - 411	-∞, -120 to 0 dB	See 6.1 Fader Table.	
7	End Character	Termination character of a message	binary	0x0d	CR	

[2] ACK/NAK

See Factory Default Setting Request[2].

4.2.10 Bus Assign Acquisition Request

After receiving the Bus Assign Acquisition Request, the ATDM-1012 sends the bus assign settings to the host via Answer.

[1] Get Command

The command format of the Bus Assign Acquisition Request from the host is shown below.

GBUS_O_0000_00_NC_1,12_↓

Table 4-15 Command Format

No	item	Description	type	value	value description	remarks
1	Command	Command character string	string	GBUS		
2	HandShake Select	Sequence execution method	string	0		
3	Model ID	Unused	string	0000	Unused	
4	Unit No	Unused	string	00	Unused	
5	Continue Select	Message division method	string	NC	No divided message	
6	Parameter	Parameter	-	-	No parameter	
	Input Channel Select	Input channel select	string	0 - 9	Input Channel 1 - 10	
				10	Input ST1	
				11	Input ST2	
				12 - 19	Sub Input Channel 1 - 8	
Bus Channel	Bus channel	string	1 - 12	Buds channel		
7	End Character	Termination character of a message	binary	0x0d	CR	

[2] Answer

The Answer command format from the ATDM-1012 is shown below.

GBUS_0000_00_NC_1,12,2,411_↵

Table 4-16 Answer Command Format

No	item	Description	type	value	value description	remarks
1	Command	Command character	string	GBUS		
2	Model ID	Unused	string	0000	Unused	
3	Unit No	Device ID	string	00 – FF	Device ID	
4	Continue Select	Message division method	string	NC	No divided message	
5	Parameter	Parameter	string			
	Input Channel Select	Input channel select	string	0 - 9	Input Channel 1 - 10	
				10	Input ST1	
				11	Input ST2	
				12 - 19	Sub Input Channel 1 - 8	
	Bus Channel	Bus channel	string	1 - 12	Bus channel	
	Bus Assign	Bus assign	string	0	Off	
				1	Smart Mix Pre Assign	
2				Smart Mix Post Assign		
Level	Level	string	0 - 411	-∞, -120 to 0 dB	See 6.1 Fader Table.	
6	End Character	Termination character of a message	binary	0x0d	CR	

4.2.11 Operator Fader Level Change Request

After receiving the Operator Fader Level Change Request, the ATDM-1012 sends the processing results to the host via ACK or NAK.

[1] Set Command

The command format of the Operator Fader Level Change Request from the host is shown below.

SOPL_S_0000_00_NC_8,8,100_↵

Table 4-17 Command Format

No	item	Description	type	value	value description	remarks
1	Command	Command character string	string	SOPL		
2	HandShake Select	Sequence execution method	string	S		
3	Model ID	Unused	string	0000	Unused	
4	Unit No	Unused	string	00	Unused	
5	Continue Select	Message division method	string	NC	No divided message	
6	Parameter	Parameter				
	Operator Page No	Operator page number	string	1 - 8	Operator page 1 - 8	
	Operator Fader No	Operator fader number	string	1 - 8	Operator fader 1 - 8	
	Level	Level	string	0 - 100	Level	
7	End Character	Termination character of a message	binary	0x0d	CR	

[2] ACK/NAK

See Factory Default Setting Request[2].

4.2.12 Operator Fader Level Acquisition Request

After receiving the Operator Fader Level Acquisition Request, the ATDM-1012 sends the fader level to the host via Answer.

[1] Get Command

The command format of the Operator Fader Level Acquisition Request from the host is shown below.

GOPL_O_0000_00_NC_8,8_↵

Table 4-18 Command Format

No	item	Description	type	value	value description	remarks
1	Command	Command character string	string	GOPL		
2	HandShake Select	Sequence execution method	string	O		
3	Model ID	Unused	string	0000	Unused	
4	Unit No	Unused	string	00	Unused	
5	Continue Select	Message division method	string	NC	No divided message	
6	Parameter	Parameter	-	-	No parameter	
	Operator Page No	Operator page number	string	1 - 8	Operator page 1 - 8	
	Operator Fader No	Operator fader number	string	1 - 8	Operator fader 1 - 8	
7	End Character	Termination character of a message	binary	0x0d	CR	

[2] Answer

The Answer command format from the ATDM-1012 is shown below.

GOPL_0000_00_NC_8,8,100_↵

Table 4-19 Answer Command Format

No	item	Description	type	value	value description	remarks
1	Command	Command character	string	GOPL		
2	Model ID	Unused	string	0000	Unused	
3	Unit No	Device ID	string	00 – FF	Device ID	
4	Continue Select	Message division method	string	NC	No divided message	
5	Parameter	Parameter	string			
	Operator Page No	Operator page number	string	1 - 8	Operator page 1 - 8	
	Operator Fader No	Operator fader number	string	1 - 8	Operator fader 1 - 8	
	Level	Level	string	0 - 100	Level	
6	End Character	Termination character of a message	binary	0x0d	CR	

4.2.13 Operator Fader Mute State Change Request

After receiving the Operator Fader Mute State Change Request, the ATDM-1012 sends the processing results to the host via ACK or NAK.

[1] Set Command

The command format of the Operator Fader Mute State Change Request from the host is shown below.

SOPM_S_0000_00_NC_8,8,1_↵

Table 4-20 Command Format

No	item	Description	type	value	value description	remarks
1	Command	Command character string	string	SOPM		
2	HandShake Select	Sequence execution method	string	S		
3	Model ID	Unused	string	0000	Unused	
4	Unit No	Unused	string	00	Unused	
5	Continue Select	Message division method	string	NC	No divided message	
6	Parameter	Parameter				
	Operator Page No	Operator page number	string	1 - 8	Operator page 1 - 8	
	Operator Fader No	Operator fader number	string	1 - 8	Operator fader 1 - 8	
	Mute	Mute	string	0 1	Disable Enable	
7	End Character	Termination character of a message	binary	0x0d	CR	

[2] ACK/NAK

See Factory Default Setting Request[2].

4.2.14 Operator Fader Mute State Acquisition Request

After receiving the Operator Fader Mute State Acquisition Request, the ATDM-1012 sends the input CH Mute state to the host via Answer.

[1] Get Command

The command format of the Operator Fader Mute State Acquisition Request from the host is shown below.

GOPM_O_0000_00_NC_8,8_↓

Table 4-21 Command Format

No	item	Description	type	value	value description	remarks
1	Command	Command character string	string	GOPM		
2	HandShake Select	Sequence execution method	string	0		
3	Model ID	Unused	string	0000	Unused	
4	Unit No	Unused	string	00	Unused	
5	Continue Select	Message division method	string	NC	No divided message	
6	Parameter	Parameter	-	-	No parameter	
	Operator Page No	Operator page number	string	1 - 8	Operator page 1 - 8	
	Operator Fader No	Operator fader number	string	1 - 8	Operator fader 1 - 8	
7	End Character	Termination character of a message	binary	0x0d	CR	

[2] Answer

The Answer command format from the ATDM-1012 is shown below.

GOPM_0000_00_NC_8,8,1_↵

Table 4-22 Answer Command Format

No	item	Description	type	value	value description	remarks
1	Command	Command character	string	GOPM		
2	Model ID	Unused	string	0000	Unused	
3	Unit No	Device ID	string	00 – FF	Device ID	
4	Continue Select	Message division method	string	NC	No divided message	
5	Parameter	Parameter	string			
	Operator Page No	Operator page number	string	1 - 8	Operator page 1 - 8	
	Operator Fader No	Operator fader number	string	1 - 8	Operator fader 1 - 8	
	Mute	Mute	string	0 1	Disable Enable	
6	End Character	Termination character of a message	binary	0x0d	CR	

4.2.15 SmartMix Mode Change Request

After receiving the SmartMix Mode Change Request, the ATDM-1012 sends the processing results to the host via ACK or NAK.

[1] Set Command

The command format of the SmartMix Mode Change Request from the host is shown below.

SSMM_S_0000_00_NC_4,2_↵

Table 4-23 Command Format

No	item	Description	type	value	value description	remarks
1	Command	Command character string	string	SSMM		
2	HandShake Select	Sequence execution method	string	S		
3	Model ID	Unused	string	0000	Unused	
4	Unit No	Unused	string	00	Unused	
5	Continue Select	Message division method	string	NC	No divided message	
6	Parameter	Parameter				
	Group	Group number	string	1 - 4	Group 1 - 4	
	Mode	SmartMix Mode		0	Off	
				1	Gate	
			2	Gain Share		
7	End Character	Termination character of a message	binary	0x0d	CR	

[2] ACK/NAK

See Factory Default Setting Request[2].

4.2.16 SmartMix Mode Acquisition Request

After receiving the SmartMix Mode Acquisition Request, the ATDM-1012 sends the SmartMix Mode to the host via Answer.

[1] Get Command

The command format of the SmartMix Mode Acquisition Request from the host is shown below.

GSMM_O_0000_00_NC_4_↵

Table 4-24 Command Format

No	item	Description	type	value	value description	remarks
1	Command	Command character string	string	GSMM		
2	HandShake Select	Sequence execution method	string	O		
3	Model ID	Unused	string	0000	Unused	
4	Unit No	Unused	string	00	Unused	
5	Continue Select	Message division method	string	NC	No divided message	
6	Parameter	Parameter				
	Group	Group number	string	1 - 4	Group 1 - 4	
7	End Character	Termination character of a message	binary	0x0d	CR	

[2] Answer

The Answer command format from the ATDM-1012 is shown below.

GSMML_0000_00_NC_4,2_↵

Table 4-25 Answer Command Format

No	item	Description	type	value	value description	remarks
1	Command	Command string	character	string	GSMML	
2	Model ID	Unused		string	0000	Unused
3	Unit No	Device ID		string	00 – FF	Device ID
4	Continue Select	Message method	division	string	NC	No divided message
5	Parameter	Parameter		string		
	Group	Group number		string	1 - 4	Group 1 - 4
	Mode	SmartMix Mode		string	0	Off
					1	Gate
					2	Gain Share
6	End Character	Termination character of a message		binary	0x0d	CR

4.2.17 No. of Open Mic Change Request

After receiving the No. of Open Mic Change Request, the ATDM-1012 sends the processing results to the host via ACK or NAK.

[1] Set Command

The command format of the No. of Open Mic Change Request from the host is shown below.

NOOM_S_0000_00_NC_4,10_↵

Table 4-26 Command Format

No	item	Description	type	value	value description	remarks
1	Command	Command character string	string	NOOM		
2	HandShake Select	Sequence execution method	string	S		
3	Model ID	Unused	string	0000	Unused	
4	Unit No	Unused	string	00	Unused	
5	Continue Select	Message division method	string	NC	No divided message	
6	Parameter	Parameter				
	Group	Group number	string	1 - 4	Group 1 - 4	
	NOM	No. of open mic	string	1 - 10	No. of open mic	
7	End Character	Termination character of a message	binary	0x0d	CR	

[2] ACK/NAK

See Factory Default Setting Request[2].

4.2.18 No. of Open Mic Acquisition Request

After receiving the No. of Open Mic Acquisition Request, the ATDM-1012 sends the input CH Mute state to the host via Answer.

[1] Get Command

The command format of the No. of Open Mic Acquisition Request from the host is shown below.

GNOOM_O_0000_00_NC_4_↵

Table 4-27 Command Format

No	item	Description	type	value	value description	remarks
1	Command	Command character string	string	GSMM		
2	HandShake Select	Sequence execution method	string	O		
3	Model ID	Unused	string	0000	Unused	
4	Unit No	Unused	string	00	Unused	
5	Continue Select	Message division method	string	NC	No divided message	
6	Parameter	Parameter				
	Group	Group number	string	1 - 4	Group 1 - 4	
7	End Character	Termination character of a message	binary	0x0d	CR	

[2] Answer

The Answer command format from the ATDM-1012 is shown below.

GNOOM_0000_00_NC_4,10_↵

Table 4-28 Answer Command Format

No	item	Description	type	value	value description	remarks
1	Command	Command character string	string	GNOOM		
2	Model ID	Unused	string	0000	Unused	
3	Unit No	Device ID	string	00 – FF	Device ID	
4	Continue Select	Message division method	string	NC	No divided message	
5	Parameter	Parameter	string			
	Group	Group number	string	1 - 4	Group 1 - 4	
	NOM	No. of open mic	string	1 - 10	No. of open mic	
6	End Character	Termination character of a message	binary	0x0d	CR	

4.2.19 Preset Call Request

After receiving the Preset Call Request, the ATDM-1012 sends the processing results to the host via ACK or NAK.

[1] Set Command

The command format of the Preset Call Request from the host is shown below.

CALLP_S_0000_00_NC_8_↵

Table 4-29 Command Format

No	item	Description	type	value	value description	remarks
1	Command	Command character string	string	CALLP		
2	HandShake Select	Sequence execution method	string	S		
3	Model ID	Unused	string	0000	Unused	
4	Unit No	Unused	string	00	Unused	
5	Continue Select	Message division method	string	NC	No divided message	
6	Parameter	Parameter				
	Bank Number	Bank number	string	1 - 8	Bank 1 - 8	
7	End Character	Termination character of a message	binary	0x0d	CR	

[2] ACK/NAK

See Factory Default Setting Request[2].

4.2.20 Preset Save Request

After receiving the Preset Save Request, the ATDM-1012 sends the processing results to the host via ACK or NAK.

[1] Set Command

The command format of the Preset Save Request from the host is shown below.

REGIP_S_0000_00_NC_8_↵

Table 4-30 Command Format

No	item	Description	type	value	value description	remarks
1	Command	Command character string	string	REGIP		
2	HandShake Select	Sequence execution method	string	S		
3	Model ID	Unused	string	0000	Unused	
4	Unit No	Unused	string	00	Unused	
5	Continue Select	Message division method	string	NC	No divided message	
6	Parameter	Parameter				
	Bank Number	Bank number	string	1 - 8	Bank 1 - 8	
7	End Character	Termination character of a message	binary	0x0d	CR	

[2] ACK/NAK

See Factory Default Setting Request[2].

4.2.21 Partial Preset Call Request

After receiving the Partial Preset Call Request, the ATDM-1012 sends the processing results to the host via ACK or NAK.

[1] Set Command

The command format of the Partial Preset Call Request from the host is shown below.

```
CALLPP_S_0000_00_NC_40_↵
```

Table 4-31 Command Format

No	item	Description	type	value	value description	remarks
1	Command	Command character string	string	CALLPP		
2	HandShake Select	Sequence execution method	string	S		
3	Model ID	Unused	string	0000	Unused	
4	Unit No	Unused	string	00	Unused	
5	Continue Select	Message division method	string	NC	No divided message	
6	Parameter	Parameter				
	Partial Preset Number	Partial preset number	string	1 - 40	Partial preset number	
7	End Character	Termination character of a message	binary	0x0d	CR	

[2] ACK/NAK

See Factory Default Setting Request[2].

4.3 Input Command Details

4.3.1 Input Gain&Level Setting Change Request

After receiving the Input Gain&Level Setting Change Request, the ATDM-1012 sends the processing results to the host via ACK or NAK.

[1] Set Command

The command format of the Input Gain&Level Setting Change Request from the host is shown below.

s_input_gain_level_S_0000_00_NC_11,40,40,511,1,511,1,40,1,0_↵

Table 4-32 Command Format

No	item	Description	type	value	value description	remarks	
1	Command	Command character string	string	s_input_gain_level			
2	HandShake Select	Sequence execution method	string	S			
3	Model ID	Unused	string	0000	Unused		
4	Unit No	Unused	string	00	Unused		
5	Continue Select	Message division method	string	NC	No divided message		
6	Parameter	Parameter					
	Input Channel Select	Input channel select	string	0 - 9	Input Channel 1 - 10		
				10	Input ST1		
				11	Input ST2		
				12 - 19	Sub Input Channel 1 - 8		
	gain						Sub Input is outside of the target
	Mic	Mic gain	string	0 - 40	+20db to +60db	See 6.5 Input Gain Table.	
	Line	Line gain	string	0 - 40	-20dBu to -60dBu	See 6.5 Input Gain Table.	
	Level	Level	string	0 - 511	-120 to +10db	See 6.1 Fader Table.	
	Max Volume						
	Enable	On/Off	string	0	Off		
				1	On		
	Value	Volume	string	0 - 511	-120 to +10db	See 6.1 Fader Table.	
	Mute	Mute	string	0	Disable		

				1	Enable	
	gain					Sub Input is outside of the target
	Virtual Mic	Virtual Mic gain	string	0 - 40	-20dBu to -60dBu	See 6.5 Input Gain Table.
	Min Volume					
	Enable	On/Off	string	0	Off	
				1	On	
	Value	Volume	string	0 - 511	-120 to +10db	See 6.1 Fader Table.
7	End Character	Termination character of a message	binary	0x0d	CR	

[2] ACK/NAK

See Factory Default Setting Request[2].

4.3.2 Input Gain&Level Setting Acquisition Request

After receiving the Input Gain&Level Setting Acquisition Request, the ATDM-1012 sends the input settings to the host via Answer.

[1] Get Command

The command format of the Input Gain&Level Setting Acquisition Request from the host is shown below.

g_input_gain_level_O_0000_00_NC_11_↵

Table 4-33 Command Format

No	item	Description	type	value	value description	remarks
1	Command	Command character string	string	g_input_gain_level		
2	HandShake Select	Sequence execution method	string	O		
3	Model ID	Unused	string	0000	Unused	
4	Unit No	Unused	string	00	Unused	
5	Continue Select	Message division method	string	NC	No divided message	
6	Parameter Input Channel Select	Parameter Input channel select	string	0 - 9	Input Channel 1 - 10	
				10	Input ST1	
				11	Input ST2	
				12 - 19	Sub Input Channel 1 - 8	
7	End Character	Termination character of a message	binary	0x0d	CR	

[2] Answer

The Answer command format from the ATDM-1012 is shown below.

g_input_gain_level_0000_00_NC_11,40,40,511,1,511,1,40,0,511_↵

Table 4-34 Answer Command Format

No	item	Description	type	value	value description	remarks	
1	Command	Command character string	string	g_input_gain_level			
2	Model ID	Unused	string	0000	Unused		
3	Unit No	Device ID	string	00 – FF	Device ID		
4	Continue Select	Message division method	string	NC	No divided message		
5	Parameter	Parameter					
	Input Channel Select	Input channel select	string	0 - 9 10 11 12 - 19	Input Channel 1 - 10 Input ST1 Input ST2 Sub Input Channel 1 - 8		
	gain					Sub Input is outside of the target	
	Mic	Mic gain	string	0 - 40	+20db to +60db	See 6.5 Input Gain Table.	
	Line	Line gain	string	0 - 40	-20dBu to -60dBu	See 6.5 Input Gain Table.	
	Level	Level	string	0 - 511	-120 to +10db	See 6.1 Fader Table.	
	Max Volume						
	Enable	On/Off	string	0 1	Off On		
	Value	Volume	string	0 - 511	-120 to +10db	See 6.1 Fader Table.	
	Mute	Mute	string	0 1	Disable Enable		
	gain					Sub Input is outside of the target	
	Virtual Mic	Virtual Mic gain	string	0 - 40	-20dBu to -60dBu	See 6.5 Input Gain Table.	
	Min Volume						
	Enable	On/Off	string	0 1	Off On		
	Value	Volume	string	0 - 511	-120 to +10db	See 6.1 Fader Table.	

6	End Character	Termination character of a message	binary	0x0d	CR	
---	---------------	------------------------------------	--------	------	----	--

4.3.3 Input Channel Setting Change Request

After receiving the Input Channel Setting Change Request, the ATDM-1012 sends the processing results to the host via ACK or NAK.

[1] Set Command

The command format of the Input Channel Setting Change Request from the host is shown below.

```
s_input_channel_settings_S_0000_00_NC_11,7,1,1,1,1,1,0,,,,,,,,,"ST2",FF0000,330,45,2
,,10,4,0_↓
```

Table 4-35 Command Format

No	item	Description	type	value	value description	remarks
1	Command	Command character string	string	s_input_channel_settings		
2	HandShake Select	Sequence execution method	string	S		
3	Model ID	Unused	string	0000	Unused	
4	Unit No	Unused	string	00	Unused	
5	Continue Select	Message division method	string	NC	No divided message	
6	Input Channel Select	Input channel select	string	0 - 9	Input Channel 1 - 10	
				10	Input ST1	
				11	Input ST2	
	source	Input source	string	0	Mic	
				1	Line +4dBu	
				2	Line 0dBV	
				3	Line -10dBV	
				4	Line -20dBV	
				5	USB	
				6	Virtual Mic 1	
				7	Virtual Mic 2	
				8	(Reserve)	
	Phantom power	Phantom power	String	0	Off	
				1	On	

Phase	Phase	string	0	Normal		
			1	Invert		
Low cut	Low cut	string	0	Off		
			1	On		
AEC	AEC	string	0	Off		
			1	On		
Smart Mix	Smart Mix	string	0	Off		
			1	On		
Link	Link	string	0	Unlink		
			1	Link		
(Reserve)						
	<i>(Reserve)</i>	<i>(Reserve)</i>	string	0	<i>(Reserve)</i>	'0' fixed
	<i>(Reserve)</i>	<i>(Reserve)</i>	string	0	<i>(Reserve)</i>	'0' fixed
	<i>(Reserve)</i>	<i>(Reserve)</i>	string	0	<i>(Reserve)</i>	'0' fixed
	<i>(Reserve)</i>	<i>(Reserve)</i>	string	0	<i>(Reserve)</i>	'0' fixed
	<i>(Reserve)</i>	<i>(Reserve)</i>	string	0	<i>(Reserve)</i>	'0' fixed
	<i>(Reserve)</i>	<i>(Reserve)</i>	string	0	<i>(Reserve)</i>	'0' fixed
	<i>(Reserve)</i>	<i>(Reserve)</i>	string	0	<i>(Reserve)</i>	'0' fixed
	<i>(Reserve)</i>	<i>(Reserve)</i>	string	0	<i>(Reserve)</i>	'0' fixed
	<i>(Reserve)</i>	<i>(Reserve)</i>	string	0	<i>(Reserve)</i>	'0' fixed
Name	Channel name	char	"	Beginning of character string		
		string	ASCII code	Name	To contain double quotation marks ("), specify them in succession like "".	
		char	"	End of character string		
Color	Channel color	string	0	Green		
			1	Yellow		
			2	Brown		
			3	Red		
			4	Pink		
			5	Blue		
		6	Gray			

				7	DarkGray	
	Virtual Mic					
	Orientation	Orientation	string	0 - 330	0 degree - 330 degrees	Set by a unit of 30 degrees
	Tilt	Tilt	string	0	0degree	
				45	45degree	
	Pattern	Pattern	string	0	Wide	
				1	Normal	
				2	Omni	
	(Reserve)	(Reserve)	string	0	(Reserve)	'0' fixed
	Fader Group	Fader Group	string	0	None	
				1	Group A	
				2	Group B	
				3	Group C	
				4	Group D	
				5	Group E	
				6	Group F	
				7	Group G	
				8	Group H	
	Smart Mix Group	Smart Mix Group	string	1 - 4	SmartMix Group 1 - 4	
	Mono	Mono	string	0	Off	Input only ST1/ST2
				1	On	
7	End Character	Termination character of a message	binary	0x0d	CR	

[2] ACK/NAK
See Factory Default Setting Request[2].

4.3.4 Input Channel Setting Acquisition Request

After receiving the Input Channel Setting Acquisition Request, the ATDM-1012 sends the input settings to the host via Answer.

[1] Get Command

The command format of the Input Channel Setting Acquisition Request from the host is shown below.

g_input_channel_settings_O_0000_00_NC_11_↓

Table 4-36 Command Format

No	item	Description	type	value	value description	Remarks
1	Command	Command character string	string	g_input_channel_settings		
2	HandShake Select	Sequence execution method	string	O		
3	Model ID	Unused	string	0000	Unused	
4	Unit No	Unused	string	00	Unused	
5	Continue Select	Message division method	string	NC	No divided message	
6	Parameter Input Channel Select	Parameter Input channel select	string	0 - 9	Input Channel 1 - 10	
				10	Input ST1	
				11	Input ST2	
7	End Character	Termination character of a message	binary	0x0d	CR	

[2] Answer

The Answer command format from the ATDM-1012 is shown below.

g_input_channel_settings_0000_00_NC_11,7,1,1,1,1,1,0,,,,,,,,,,,"ST2",FF0000,330,45,2,,1
0,4,0_↵

Table 4-37 Answer Command Format

No	item	Description	type	Value	value description	Remarks
1	Command	Command character string	string	g_input_channel_settings		
2	Model ID	Unused	string	0000	Unused	
3	Unit No	Device ID	string	00 – FF	Device ID	
4	Continue Select	Message division method	string	NC	No divided message	
5	Parameter	Parameter				
	Input Channel Select	Input channel select	string	0 - 9	Input Channel 1 - 10	
				10	Input ST1	
				11	Input ST2	
	source	Input source	string	0	Mic	
				1	Line +4dBu	
				2	Line 0dBV	
				3	Line -10dBV	
				4	Line -20dBV	
				5	USB	
				6	Virtual Mic 1	
				7	Virtual Mic 2	
				8	(Reserve)	
	Phantom power	Phantom power	string	0	Off	
				1	On	
	Phase	Phase	string	0	Normal	
				1	Invert	
	Low cut	Low cut	string	0	Off	
				1	On	

AEC	AEC	string	0	Off	
			1	On	
Smart Mix	Smart Mix	string	0	Off	
			1	On	
Link	Link	string	0	Unlink	
			1	Link	
(Reserve)					
	(Reserve)	string	0	(Reserve)	
	(Reserve)	string	0	(Reserve)	
	(Reserve)	string	0	(Reserve)	
	(Reserve)	string	0	(Reserve)	
	(Reserve)	string	0	(Reserve)	
	(Reserve)	string	0	(Reserve)	
	(Reserve)	string	0	(Reserve)	
	(Reserve)	string	0	(Reserve)	
	(Reserve)	string	0	(Reserve)	
	(Reserve)	string	0	(Reserve)	
Name	Channel name	char	"	Beginning of character string	
		string	ASCII code	Name	To contain double quotation marks ("), specify them in succession like "".
		char	"	End of character string	
Color	Channel color	string	0	Green	
			1	Yellow	
			2	Brown	
			3	Red	
			4	Pink	
			5	Blue	
			6	Gray	
			7	DarkGray	
Virtual Mic					
Orientation	Orientation	string	0 - 330	0 degree - 330 degrees	Set by a unit of 30

						degrees
	Tilt	Tilt	string	0	0degree	
				45	45degree	
	Pattern	Pattern	string	0	Wide	
				1	Normal	
				2	Omni	
	(Reserve)	(Reserve)	string	0	(Reserve)	'0' fixed
	Fader Group	Fader Group	string	0	None	
				1	Group A	
				2	Group B	
				3	Group C	
				4	Group D	
				5	Group E	
				6	Group F	
				7	Group G	
				8	Group H	
	Smart Mix Group	Smart Mix Group	string	1 - 4	SmartMix Group 1 - 4	
	Mono	Mono	string	0	Off	
				1	On	
6	End Character	Termination character of a message	binary	0x0d	CR	

4.3.5 Sub-input Channel Setting Change Request

After receiving the Sub-input Channel Setting Change Request, the ATDM-1012 sends the processing results to the host via ACK or NAK.

[1] Set Command

The command format of the Sub-input Channel Setting Change Request from the host is shown below.

s_subinput_channel_settings_S_0000_00_NC_7,37,40,1,1,"SUB 8",FFFF00,10_↵

Table 4-38 Command Format

No	item	Description	type	value	value description	remarks
1	Command	Command character string	string	s_subinput_channel_settings		
2	HandShake Select	Sequence execution method	string	S		
3	Model ID	Unused	string	0000	Unused	
4	Unit No	Unused	string	00	Unused	
5	Continue Select	Message division method	string	NC	No divided message	
6	Parameter	Parameter				
	Input Channel Select	Input channel select	string	0 - 7	Sub Input Channel 1 - 8	
	source	Input source	string	0	OFF	
				1 - 10	Input #	
				11 - 20	(Reserve)	
				21 - 36	Dante	
				37	Bus #	
	Input Gain	Gain	string	0 - 40	+20db to +60db	See 6.5 Input Gain Table.
	Low cut	Low cut	string	0	Off	
				1	On	
	Link	Link	string	0	Unlink	
				1	Link	
	Name	Channel name	char	"	Beginning of character string	
string			ASCII code	Name		
char			"	End of character string		
Color	Channel color	string	0	Green		

				1	Yellow	
				2	Brown	
				3	Red	
				4	Pink	
				5	Blue	
				6	Gray	
				7	DarkGray	
	Fader Group	Fader Group	string	0	None	
				1	Group A	
				2	Group B	
				3	Group C	
				4	Group D	
				5	Group E	
				6	Group F	
				7	Group G	
				8	Group H	
7	End Character	Termination character of a message	binary	0x0d	CR	

[2] ACK/NAK

See Factory Default Setting Request[2].

4.3.6 Sub-input Channel Setting Acquisition Request

After receiving the Sub-input Channel Setting Acquisition Request, the ATDM-1012 sends the input settings to the host via Answer.

[1] Get Command

The command format of the Input Channel Setting Acquisition Request from the host is shown below.

g_subinput_channel_settings_O_0000_00_NC_7_↵

Table 4-39 Command Format

No	item	Description	type	value	value description	remarks
1	Command	Command character string	string	g_subinput_channel_settings		
2	HandShake Select	Sequence execution method	string	O		
3	Model ID	Unused	string	0000	Unused	
4	Unit No	Unused	string	00	Unused	
5	Continue Select	Message division method	string	NC	No divided message	
6	Parameter	Parameter				
	Input Channel Select	Input channel select	string	0 - 7	Sub Input Channel 1 - 8	
7	End Character	Termination character of a message	binary	0x0d	CR	

[2] Answer

The Answer command format from the ATDM-1012 is shown below.

g_subinput_channel_settings_0000_00_NC_7,37,40,1,1,"SUB 8",FFFF00,10

Table 4-40 Answer Command Format

No	item	Description	type	value	value description	remarks	
1	Command	Command character string	string	g_subinput_channel_settings			
2	Model ID	Unused	string	0000	Unused		
3	Unit No	Device ID	string	00 – FF	Device ID		
4	Continue Select	Message division method	string	NC	No divided message		
5	Parameter	Parameter					
	Input Channel Select source	Input channel select	string	0 - 7	Sub Input Channel 1 - 8		
				0	OFF	# is CH number	
				1 - 10	Input #		
				11 - 20	(Reserve)		
				21 - 36	Dante		
				37	Bus #	# is CH number	
	Input Gain	Gain	string	0 - 40	+20db to +60db	See 6.5 Input Gain Table.	
	Low cut	Low cut	string	0	Off		
				1	On		
	Link	Link	string	0	Unlink		
				1	Link		
	Name	Channel name	char	"	Beginning of character string		
				string	ASCII code	Name	To contain double quotation marks ("), specify them in succession like "".
				char	"	End of character string	
Color	Channel color	string	0	Green			
			1	Yellow			
			2	Brown			
			3	Red			
			4	Pink			

				5	Blue	
				6	Gray	
				7	DarkGray	
	Fader Group	Fader Group	string	0	None	
				1	Group A	
				2	Group B	
				3	Group C	
				4	Group D	
				5	Group E	
				6	Group F	
				7	Group G	
				8	Group H	
6	End Character	Termination character of a message	binary	0x0d	CR	

4.3.7 Input Channel Bus Setting Change Request

After receiving the Input Channel Bus Setting Change Request, the ATDM-1012 sends the processing results to the host via ACK or NAK.

[1] Set Command

The command format of the Input Channel Bus Setting Change Request from the host is shown below.

```
s_input_channel_bus_settings_S_0000_00_NC_19,2,411,2,411,2,411,2,411,2,411,2,411,2,411,2,411,2,411,2,411,2,411_↓
```

Table 4-41 Command Format

No	item	Description	type	value	value description	remarks	
1	Command	Command character string	string	s_input_channel_bus_settings			
2	HandShake Select	Sequence execution method	string	S			
3	Model ID	Unused	string	0000	Unused		
4	Unit No	Unused	string	00	Unused		
5	Continue Select	Message division method	string	NC	No divided message		
6	Parameter	Parameter					
	Input Channel Select	Input channel select	string	0 - 9	Input Channel 1 - 10		
				10	Input ST1		
				11	Input ST2		
				12 - 19	Sub Input Channel 1 - 8		
	Bus 1						
	Assign	Assign	string	0	Off		
				1	Pre		
				2	Post(Smart Mix Bus)		
	Level	Level	string	0 - 411	$-\infty$ - 0 dB	Unused for Sub Input Channel	
	Bus 2						Same as Bus1
	Bus 3						Same as Bus1
	Bus 4						Same as Bus1
	Bus 5						Same as Bus1
	Bus 6						Same as Bus1
	Bus 7						Same as Bus1

	Bus 8				Same as Bus1
	Bus 9				Same as Bus1
	Bus 10				Same as Bus1
	Bus 11				Same as Bus1
	Bus 12				Same as Bus1
7	End Character	Termination character of a message	binary	0x0d	CR

[2] ACK/NAK

See Factory Default Setting Request[2].

4.3.8 Input Channel Bus Setting Acquisition Request

After receiving the Input Channel Bus Setting Acquisition Request, the ATDM-1012 sends the input settings to the host via Answer.

[1] Get Command

The command format of the Input Channel Bus Setting Acquisition Request from the host is shown below.

g_input_channel_bus_settings_0_0000_00_NC_19_↓

Table 4-42 Command Format

No	item	Description	type	value	value description	remarks
1	Command	Command character string	string	g_input_channel_bus_settings		
2	HandShake Select	Sequence execution method	string	S		
3	Model ID	Unused	string	0000	Unused	
4	Unit No	Unused	string	00	Unused	
5	Continue Select	Message division method	string	NC	No divided message	
6	Input Channel Select	Input channel select	string	0 - 9	Input Channel 1 - 10	
				10	Input ST1	
				11	Input ST2	
				12 - 19	Sub Input Channel 1 - 8	
7	End Character	Termination character of a message	binary	0x0d	CR	

[2] Answer

The Answer command format from the ATDM-1012 is shown below.

g_input_channel_bus_settings_0000_00_NC_19,2,411,2,411,2,411,2,411,2,411,2,411,2,411,2,411,2,411,2,411,2,411_↓

Table 4-43 Answer Command Format

No	item	Description	type	value	value description	remarks
1	Command	Command character string	string	g_input_channel_bus_settings		
2	Model ID	Unused	string	0000	Unused	
3	Unit No	Device ID	string	00 – FF	Device ID	
4	Continue Select	Message division method	string	NC	No divided message	

5	Parameter	Parameter				
	Input Channel Select	Input channel select	string	0 - 9	Input Channel 1 - 10	
				10	Input ST1	
				11	Input ST2	
				12 - 19	Sub Input Channel 1 - 8	
	Bus 1					
	Assign	Assign	string	0	Off	
				1	Pre	
				2	Post(Smart Mix Bus)	
	Level	Level	string	0 - 411	-∞ - 0 dB	Unused for Sub Input Channel
	Bus 2					Same as Bus1
	Bus 3					Same as Bus1
	Bus 4					Same as Bus1
	Bus 5					Same as Bus1
	Bus 6					Same as Bus1
Bus 7					Same as Bus1	
Bus 8					Same as Bus1	
Bus 9					Same as Bus1	
Bus 10					Same as Bus1	
Bus 11					Same as Bus1	
Bus 12					Same as Bus1	
6	End Character	Termination character of a message	binary	0x0d	CR	

4.3.9 Input EQ Setting Change Request

After receiving the Input EQ Setting Change Request, the ATDM-1012 sends the processing results to the host via ACK or NAK.

[1] Set Command

The command format of the Input EQ Setting Change Request from the host is shown below.

s_input_eq_S_0000_00_NC_11,0,1,2,480,72,31,1,480,72,31,1,480,72,31,1,2,480,72,31,
1

Table 4-44 Command Format

No	item	Description	type	value	value description	remarks	
1	Command	Command character string	string	s_input_eq			
2	HandShake Select	Sequence execution method	string	S			
3	Model ID	Unused	string	0000	Unused		
4	Unit No	Unused	string	00	Unused		
5	Continue Select	Message division method	string	NC	No divided message		
6	Parameter	Parameter					
	Input Channel Select	Input channel select	string	0 - 9	Input Channel 1 - 10		
				10	Input ST1		
				11	Input ST2		
	EQ On/Off	On/Off for whole EQ CH	string	0	Off		
				1	On		
	Band1						
	Band Enable	Enable	string	0	Off		
				1	On		
	Filter Type	Filter type	string	0	LPF/HPF		
				1	LSH/HSB		
				2	PEQ		
	Frequency	Frequency	string	0 - 480	20 Hz to 20 kHz	See 6.2 Frequency Table.	
	Gain	Gain	string	0 - 72	-18 dB to +18 dB	See 6.4 EQ Gain Table.	
	Q Value	Q value	string	0 - 31	0.3 - 60	See 6.3 Q Value Table.	
	Band2						

	Band Enable	Enable	string	0	Off		
				1	On		
	Frequency	Frequency	string	0 - 480	20 Hz to 20 kHz	See 6.2 Frequency Table.	
	Gain	Gain	string	0 - 72	-18 dB to +18 dB	See 6.4 EQ Gain Table.	
	Q Value	Q value	string	0 - 31	0.3 - 60	See 6.3 Q Value Table.	
	Band3					Same as Band2	
	Band4					Same as Band1	
	EQ Mode	EQ mode	string	0	Easy Mode		
				1	Expert Mode		
7	End Character	Termination character of a message	binary	0x0d	CR		

[2] ACK/NAK

See Factory Default Setting Request[2].

4.3.10 Input EQ Setting Acquisition Request

After receiving the Input EQ Setting Acquisition Request, the ATDM-1012 sends the input settings to the host via Answer.

[1] Get Command

The command format of the Input EQ Setting Acquisition Request from the host is shown below.

g_input_eq_0_0000_00_NC_0_↓

Table 4-45 Command Format

No	item	Description	type	value	value description	remarks
1	Command	Command character string	string	g_input_eq		
2	HandShake Select	Sequence execution method	string	0		
3	Model ID	Unused	string	0000	Unused	
4	Unit No	Unused	string	00	Unused	
5	Continue Select	Message division method	string	NC	No divided message	
6	Parameter Input Channel Select	Parameter Input channel select	string	0 - 9	Input Channel 1 - 10	
				10	Input ST1	
				11	Input ST2	
7	End Character	Termination character of a message	binary	0x0d	CR	

[2] Answer

The Answer command format from the ATDM-1012 is shown below.

g_input_eq_0000_00_NC_11,0,1,2,480,72,31,1,480,72,31,1,480,72,31,1,2,480,72,31,1_↓

↓

Table 4-46 Answer Command Format

No	item	Description	type	value	value description	remarks
1	Command	Command character string	string	g_input_eq		
2	Model ID	Unused	string	0000	Unused	
3	Unit No	Device ID	string	00 – FF	Device ID	
4	Continue Select	Message division method	string	NC	No divided message	
5	Parameter	Parameter				

	Input Channel Select	Input channel select	string	0 - 9	Input Channel 1 - 10	
				10	Input ST1	
				11	Input ST2	
	EQ On/Off	On/Off for whole EQ CH	string	0	Off	
				1	On	
	Band1					
	Band Enable	Enable	string	0	Off	
				1	On	
	Filter Type	Filter type	string	0	LPF/HPF	
				1	LSH/HSB	
				2	PEQ	
	Frequency	Frequency	string	0 - 480	20 Hz to 20 kHz	See 6.2 Frequency Table.
	Gain	Gain	string	0 - 72	-18 dB to +18 dB	See 6.4 EQ Gain Table.
	Q Value	Q value	string	0 - 31	0.3 - 60	See 6.3 Q Value Table.
	Band2					
	Band Enable	Enable	string	0	Off	
				1	On	
	Frequency	Frequency	string	0 - 480	20 Hz to 20 kHz	See 6.2 Frequency Table.
	Gain	Gain	string	0 - 72	-18 dB to +18 dB	See 6.4 EQ Gain Table.
	Q Value	Q value	string	0 - 31	0.3 - 60	See 6.3 Q Value Table.
	Band3					Same as Band2
Band4					Same as Band1	
EQ Mode	EQ mode	string	0	Easy Mode		
			1	Expert Mode		
6	End Character	Termination character of a message	binary	0x0d	CR	

4.3.11 FBS Common Setting Change Request

After receiving the FBS Common Setting Change Request, the ATDM-1012 sends the processing results to the host via ACK or NAK.

[1] Set Command

The command format of the FBS Common Setting Change Request from the host is shown below.

s_fbs_general_S_0000_00_NC_2,1_↵

Table 4-47 Command Format

No	item	Description	type	value	value description	remarks
1	Command	Command character string	string	s_fbs_general		
2	HandShake Select	Sequence execution method	string	S		
3	Model ID	Unused	string	0000	Unused	
4	Unit No	Unused	string	00	Unused	
5	Continue Select	Message division method	string	NC	No divided message	
6	Parameter	Parameter				
	Detection	Detection speed	string	0	Low	
				1	Mid	
				2	High	
	Response	Response	string	0	slow	
1				fast		
7	End Character	Termination character of a message	binary	0x0d	CR	

[2] ACK/NAK

See Factory Default Setting Request①(ア)[2].

4.3.12 FBS Common Setting Acquisition Request

After receiving the FBS Common Setting Acquisition Request, the ATDM-1012 sends the FBS common settings to the host via Answer.

[1] Get Command

The command format of the FBS Common Setting Acquisition Request from the host is shown below.

g_fbs_general_O_0000_00_NC_↵

Table 4-48 Command Format

No	item	Description	type	value	value description	remarks
1	Command	Command character string	string	g_fbs_general		
2	HandShake Select	Sequence execution method	string	O		
3	Model ID	Unused	string	0000	Unused	
4	Unit No	Unused	string	00	Unused	
5	Continue Select	Message division method	string	NC	No divided message	
6	Parameter	Parameter	-	-	No parameter	
7	End Character	Termination character of a message	binary	0x0d	CR	

[2] Answer

The Answer command format from the ATDM-1012 is shown below.

g_fbs_general_0000_00_NC_2,1_↵

Table 4-49 Answer Command Format

No	item	Description	type	value	value description	remarks
1	Command	Command character string	string	g_fbs_general		
2	Model ID	Unused	string	0000	Unused	
3	Unit No	Device ID	string	00 – FF	Device ID	
4	Continue Select	Message division method	string	NC	No divided message	
5	Parameter	Parameter	string	0	Low	
				1	Mid	
	2	High				
	Response	Response	string	0	slow	
				1	fast	
6	End Character	Termination character of a message	binary	0x0d	CR	

4.3.13 FBS Setting Change Request

After receiving the FBS Setting Change Request, the ATDM-1012 sends the processing results to the host via ACK or NAK.

[1] Set Command

The command format of the FBS Setting Change Request from the host is shown below.

s_fbs_S_0000_00_NC_21,3,1,1,1,1,1,1,1,1_↓

Table 4-50 Command Format

No	item	Description	type	value	value description	remarks
1	Command	Command character string	string	s_fbs		
2	HandShake Select	Sequence execution method	string	S		
3	Model ID	Unused	string	0000	Unused	
4	Unit No	Unused	string	00	Unused	
5	Continue Select	Message division method	string	NC	No divided message	
6	Parameter	Parameter				
	Channel Select	Channel select	string	0 - 9	Input Channel 1 - 10	
				12 - 19	Output Channel 1 - 8	
				20	Output ST1	
				21	Output ST2	
	Processing Type	Processing type	string	0	Reset	
				1	All Static	
				2	Copy to EQ	Only Output Channel
				3	Band Setting	
	Enable	Enable/Disable	string	0	Off	
				1	On	
	Band1	Static select	string	0	Off	
				1	On(static)	
	Band2					Same as Band1
	Band3					Same as Band1
	Band4					Same as Band1
	Band5					Same as Band1
Band6					Same as Band1	

	Band7					Same as Band1
	Band8					Same as Band1
7	End Character	Termination character of a	binary	0x0d	CR	
		message				

[2] ACK/NAK

See Factory Default Setting Request[2].

4.3.14 FBS Setting Acquisition Request

After receiving the FBS Setting Acquisition Request, the ATDM-1012 sends the FBS settings to the host via Answer.

[1] Get Command

The command format of the FBS Setting Acquisition Request from the host is shown below.

g_fbs_O_0000_00_NC_21_↵

Table 4-51 Command Format

No	item	Description	type	value	value description	remarks
1	Command	Command character string	string	g_fbs		
2	HandShake Select	Sequence execution method	string	O		
3	Model ID	Unused	string	0000	Unused	
4	Unit No	Unused	string	00	Unused	
5	Continue Select	Message division method	string	NC	No divided message	
6	Parameter Channel Select	Parameter Channel select	string	0 - 9	Input Channel 1 - 10	
				12 - 19	Output Channel 1 - 8	
				20	Output ST1	
				21	Output ST2	
7	End Character	Termination character of a message	binary	0x0d	CR	

[2] Answer

The Answer command format from the ATDM-1012 is shown below.

g_fbs_0000_00_NC_21,,1,1,480,72,31,1,480,72,31,1,480,72,31,1,480,72,31,1,480,72,31,
1,480,72,31,1,480,72,31,1,480,72,31_↵

Table 4-52 Answer Command Format

No	item	Description	type	value	value description	remarks
1	Command	Command character string	string	s_fbs		
2	Model ID	Unused	string	0000	Unused	
3	Unit No	Device ID	string	00 – FF	Device ID	
4	Continue Select	Message division method	string	NC	No divided message	

5	Parameter	Parameter				
	Channel Select	Channel select	string	0 - 9	Input Channel 1 - 10	
				12 - 19	Output Channel 1 - 8	
				20	Output ST1	
				21	Output ST2	
	Processing Type	Processing type	string			Unused
	Enable	Enable/Disable	string	0	Off	
				1	On	
	Band1					
	Static	Static select	string	0	Off	
				1	On(static)	
	Frequency	Frequency	string	0 - 480	20 Hz to 20 kHz	See 6.2 Frequency Table.
	Gain	Gain	string	0 - 72	-18 dB to +18 dB	See 6.4 EQ Gain Table.
	Q Value	Q value	string	0 - 31	0.3 - 60	See 6.3 Q Value Table.
	Band2					Same as Band1
	Band3					Same as Band1
	Band4					Same as Band1
Band5					Same as Band1	
Band6					Same as Band1	
Band7					Same as Band1	
Band8					Same as Band1	
6	End Character	Termination character of a message	binary	0x0d	CR	

4.3.15 Input Channel Dynamics Setting Change Request

After receiving the Input Channel Dynamics Setting Change Request, the ATDM-1012 sends the processing results to the host via ACK or NAK.

[1] Set Command

The command format of the Input Channel Dynamics Setting Change Request from the host is shown below.

```
s_input_channel_comp_settings_S_0000_00_NC_11,1,1,60,5,10000,2000,20,2,480,72,31  
,2,480,72,31,1_↵
```

Table 4-53 Command Format

No	item	Description	type	value	value description	remarks	
1	Command	Command character string	string	s_input_channel_comp_settings			
2	HandShake Select	Sequence execution method	string	S			
3	Model ID	Unused	string	0000	Unused		
4	Unit No	Unused	string	00	Unused		
5	Continue Select	Message division method	string	NC	No divided message		
6	Parameter	Parameter					
	Input Channel Select	Input channel select	string	0 - 9	Input Channel 1 - 10		
	Enalbe	Compressor permission	string	0	Off		
				1	On		
	Comp/DeEsser		string	0	Comp		
				1	DeEsser		
	Compressor						
	Threshold	Compressor attenuation	string	0 - 60	-60 dB - 0 dB		
	Ratio	Tilt of a waveform	string	0	1:1.4		
				1	1:2		
				2	1:4		
				3	1:6		
				4	1.10		
				5	+∞		
	Attack Time	Attack time	string	0	0msec		
				25	0.25msec		
				50	0.5msec		
100				1msec			
200				2msec			
400				4msec			
800				8msec			
1600				16msec			
3200				32msec			
10000	100msec						
Release Time	Release time	string	50,100,200,400,800,1000,2000	50 - 2000 msec			
Output Gain	Gain	string	0 - 20	10 - -10 dB			

DeEssor						
Band1						
Filter Type	Filter type	string	0	LPF/HPF		
			1	LSH/HSB		
			2	PEQ		
Frequency	Frequency	string	0 - 480	20 Hz to 20 kHz	See 6.2 Frequency Table.	
Gain	Gain	string	0 - 72	-18 dB to +18 dB	See 6.4 EQ Gain Table.	
Q Value	Q value	string	0 - 31	0.3 - 60	See 6.3 Q Value Table.	
Band2						Same as Band1
Side Chain		string	0	Off		
			1	On		
Low cut	Low cut	string	0	Off		
			1	On		
7	End Character	Termination character of a message	binary	0x0d	CR	

[2] ACK/NAK

See Factory Default Setting Request[2].

4.3.16 Input Channel Dynamics Setting Acquisition Request

After receiving the Input Channel Dynamics Setting Acquisition Request, the ATDM-1012 sends the output settings to the host via Answer.

[1] Get Command

The command format of the Input Channel Dynamics Setting Acquisition Request from the host is shown below.

g_input_channel_comp_settings_O_0000_00_NC_11_↵

Table 4-54 Command Format

No	item	Description	type	value	value description	remarks
1	Command	Command character string	string	g_input_channel_comp_settings		
2	HandShake Select	Sequence execution method	string	O		
3	Model ID	Unused	string	0000	Unused	
4	Unit No	Unused	string	00	Unused	
5	Continue Select	Message division method	string	NC	No divided message	
6	Parameter	Parameter				
	Input Channel Select	Input channel select	string	0 - 9	Input Channel 1 - 10	
7	End Character	Termination character of a message	binary	0x0d	CR	

[2] Answer

The Answer command format from the ATDM-1012 is shown below.

g_input_channel_comp_settings_0000_00_NC_11,1,1,60,5,10000,2000,20,2,480,72,31,2,
480,72,31,1_↵

Table 4-55 Answer Command Format

No	item	Description	type	value	value description	remarks	
1	Command	Command character string	string	g_input_channel_comp_settings			
2	Model ID	Unused	string	0000	Unused		
3	Unit No	Device ID	string	00 – FF	Device ID		
4	Continue Select	Message division method	string	NC	No divided message		
5	Parameter	Parameter					
	Input Channel Select	Input channel select	string	0 - 9	Input Channel 1 - 10		
	Enalbe	Compressor permission	string	0	Off		
				1	On		
	Comp/DeEsser		string	0	Comp		
				1	DeEsser		
	Compressor						
	Threshold	Compressor attenuation	string	0 - 60	-60 dB - 0 dB		
	Ratio	Tilt of a waveform	string	0	1:1.4		
				1	1:2		
				2	1:4		
				3	1:6		
				4	1.10		
				5	+∞		
	Attack Time	Attack time	string	0	0msec		
				25	0.25msec		
				50	0.5msec		
100				1msec			
200				2msec			
400				4msec			

				800	8msec	
				1600	16msec	
				3200	32msec	
				10000	100msec	
	Release Time	Release time	string	50,100,200,400,800,1000,2000	50 - 2000 msec	
	Output Gain	Gain	string	0 - 20	10 - -10 dB	
DeEssor						
Band1						
	Filter Type	Filter type	string	0	LPF/HPF	
				1	LSH/HSB	
				2	PEQ	
	Frequency	Frequency	string	0 - 480	20 Hz to 20 kHz	See 6.2 Frequency Table.
	Gain	Gain	string	0 - 72	-18 dB to +18 dB	See 6.4 EQ Gain Table.
	Q Value	Q value	string	0 - 31	0.3 - 60	See 6.3 Q Value Table.
Band2						
	Side Chain		string	0	Off	
				1	On	
	Low cut	Low cut	string	0	Off	
				1	On	
6	End Character	Termination character of a message	binary	0x0d	CR	

4.3.17 AEC Setting Change Request

After receiving the AEC Setting Change Request, the ATDM-1012 sends the processing results to the host via ACK or NAK.

[1] Set Command

The command format of the AEC Setting Change Request from the host is shown below.

s_aec_general_S_0000_00_NC_2,22,,1,,12,100,100,1,1,↓

Table 4-56 Command Format

No	item	Description	type	value	value description	remarks
1	Command	Command character string	string	s_aec_general		
2	HandShake Select	Sequence execution method	string	S		
3	Model ID	Unused	string	0000	Unused	
4	Unit No	Unused	string	00	Unused	
5	Continue Select	Message division method	string	NC	No divided message	
6	Parameter	Parameter				
	Mode	AEC Mode	string	0	Off	
				1	AEC	
				2	Noise Canceling	
	AEC Reference	AEC Reference	string	5	Input Channel 6	
				9	Input Channel 10	
				10	Input ST1	
				11	Input ST2	
				12 - 19	Output Channel 1 - 8	
				20	Output ST1	
				21	Output ST2	
				22	External	
	(Reserve)	(Reserve)	string	0	(Reserve)	
	Send Reference	Send Reference	string	0	Off	
				1	On	
	(Reserve)	(Reserve)	string	0	(Reserve)	
	Bus Select	Bus Select	string	1 - 12	Bus 1 - 12	
Noise Canceling Attenuation Level						

	AEC	Attenuation level (AEC Mode)	string	0 - 100	0 - 100 dB	
	Noise Canceling	Attenuation level (Noise Canceling Mode)	string	0 - 100	0 - 100 dB	
	Non Linear Processing					
	Enable	Non Linear Processing permission	string	0	Off	
				1	On	
	Sensitivity	Non Linear Processing Sensitivity	string	0	Low	
				1	Mid	
				2	High	
	(Reserve)	(Reserve)	string	0	(Reserve)	
7	End Character	Termination character of a message	binary	0x0d	CR	

[2] ACK/NAK

See Factory Default Setting Request[2].

4.3.18 AEC Setting Acquisition Request

After receiving the AEC Setting Acquisition Request, the ATDM-1012 sends the AEC settings to the host via Answer.

[1] Get Command

The command format of the AEC Setting Acquisition Request from the host is shown below.

g_aec_general_O_0000_00_NC_↓

Table 4-57 Command Format

No	item	Description	type	value	value description	remarks
1	Command	Command character string	string	g_aec_general		
2	HandShake Select	Sequence execution method	string	O		
3	Model ID	Unused	string	0000	Unused	
4	Unit No	Unused	string	00	Unused	
5	Continue Select	Message division method	string	NC	No divided message	
6	Parameter	Parameter	-	-	No parameter	
7	End Character	Termination character of a message	binary	0x0d	CR	

[2] Answer

The Answer command format from the ATDM-1012 is shown below.

g_aec_general_0000_00_NC_2,22,,1,,12,100,100,1,1,↓

Table 4-58 Answer Command Format

No	item	Description	type	value	value description	remarks
1	Command	Command character string	string	g_aec_genera l		
2	Model ID	Unused	string	0000	Unused	
3	Unit No	Device ID	string	00 – FF	Device ID	
4	Continue Select	Message division method	string	NC	No divided message	
5	Parameter	Parameter	string	0	Off	
				1	AEC	
				2	Noise Canceling	
	AEC Reference	AEC Reference	string	5	Input Channel 6	
				9	Input Channel 10	

			10	Input ST1	
			11	Input ST2	
			12 - 19	Output Channel 1 - 8	
			20	Output ST1	
			21	Output ST2	
			22	External	
	(Reserve)	(Reserve)	string	0	(Reserve)
	Send Reference	Send Reference	string	0	Off
				1	On
	(Reserve)	(Reserve)	string	0	(Reserve)
	Bus Select	Bus Select	string	1 - 12	Bus 1 - 12
Noise Canceling Attenuation Level					
	AEC	Attenuation level (AEC Mode)	string	0 - 100	0 - 100 dB
	Noise Canceling	Attenuation level (Noise Canceling Mode)	string	0 - 100	0 - 100 dB
Non Linear Processing					
	Enable	Non Linear Processing permission	string	0	Off
				1	On
	Sensitivity	Non Linear Processing Sensitivity	string	0	Low
				1	Mid
				2	High
	(Reserve)	(Reserve)	string	0	(Reserve)
6	End Character	Termination character of a message	binary	0x0d	CR

4.3.19 Smart Mix Setting Change Request

After receiving the Smart Mix Setting Change Request, the ATDM-1012 sends the processing results to the host via ACK or NAK.

[1] Set Command

The command format of the Smart Mix Setting Change Request from the host is shown below.

s_smart_mix_S_0000_00_NC_9,4,60,1,1,60,20_↓

Table 4-59 Command Format

No	item	Description	type	value	value description	remarks
1	Command	Command character string	string	s_smart_mix		
2	HandShake Select	Sequence execution method	string	S		
3	Model ID	Unused	string	0000	Unused	
4	Unit No	Unused	string	00	Unused	
5	Continue Select	Message division method	string	NC	No divided message	
6	Parameter	Parameter				
	Input Channel Select	Input channel select	string	0 - 9	Input Channel 1 - 10	
	Smart Mix Group	Smart Mix Group	string	1 - 4	SmartMix Group 1 - 4	
	GainShare					
	Weight	Weight of GainShare	string	0 - 60	-15,0,-14,5 - +15.0	
	Gate					
	Priority	Priority	string	0 1	Off On	
	Can Cut	Cut	string	0 1	Off On	
	Off Atenuation of closed mic	Off attenuation of mic	string	0 - 60	-60 dB - 0 dB	
	Threshold	Attenuation	string	0 - 20	-10 - 10 dB	
	7	End Character	Termination character of a message	binary	0x0d	CR

[2] ACK/NAK
See Factory Default Setting Request[2].

4.3.20 Smart Mix Setting Acquisition Request

After receiving the Smart Mix Setting Acquisition Request, the ATDM-1012 sends the input settings to the host via Answer.

[1] Get Command

The command format of the Smart Mix Setting Acquisition Request from the host is shown below.

g_smart_mix_O_0000_00_NC_9_↵

Table 4-60 Command Format

No	item	Description	type	value	value description	remarks
1	Command	Command character string	string	g_smart_mix		
2	HandShake Select	Sequence execution method	string	O		
3	Model ID	Unused	string	0000	Unused	
4	Unit No	Unused	string	00	Unused	
5	Continue Select	Message division method	string	NC	No divided message	
6	Parameter	Parameter				
	Input Channel Select	Input channel select	string	0 - 9	Input Channel 1 - 10	
7	End Character	Termination character of a message	binary	0x0d	CR	

[2] Answer

The Answer command format from the ATDM-1012 is shown below.

g_smart_mix_0000_00_NC_9,4,60,1,1,60,20_↓

Table 4-61 Answer Command Format

No	item	Description	type	value	value description	remarks	
1	Command	Command character string	string	g_smart_mix			
2	Model ID	Unused	string	0000	Unused		
3	Unit No	Device ID	string	00 – FF	Device ID		
4	Continue Select	Message division method	string	NC	No divided message		
5	Parameter	Parameter					
	Input Channel Select Smart Mix Group	Input channel select	string	0 - 9	Input Channel 1 - 10		
		Smart Mix Group	string	1 - 4	SmartMix Group 1 - 4		
	GainShare						
	Weight	Weight of GainShare	string	0 - 60	-15.0 - +15.0	0.5 step	
	Gate						
	Priority	Priority	string	0	Off		
				1	On		
	Can Cut	Cut	string	0	Off		
				1	On		
Off Atenuation of closed mic	Off attenuation of mic	string	0 - 60	-60 dB - 0 dB			
Threshold	Attenuation	string	0 - 20	-10 - 10 dB			
6	End Character	Termination character of a message	binary	0x0d	CR		

4.3.21 Smart Mix Common Setting Change Request

After receiving the Smart Mix Common Setting Change Request, the ATDM-1012 sends the processing results to the host via ACK or NAK.

[1] Set Command

The command format of the Smart Mix Common Setting Change Request from the host is shown below.

s_smart_mix_general_S_0000_00_NC_2,1,10000,1,10,1,1,80,4_↓

Table 4-62 Command Format

No	item	Description	type	value	value description	remarks	
1	Command	Command character string	string	s_smart_mix_general			
2	HandShake Select	Sequence execution method	string	S			
3	Model ID	Unused	string	0000	Unused		
4	Unit No	Unused	string	00	Unused		
5	Continue Select	Message division method	string	NC	No divided message		
6	Parameter	Parameter					
	Mode	Smart Mix mode	string	0	Off		
				1	Gate		
				2	Gain Share		
	Last Mic On	Last Mic On	string	0	Off		
				1	On		
	Gate Hold Time	Gate Hold Time	string	100,200,300,400,500,1000,1500,2000,2500,3000,3500,4000,4500,5000,5500,6000,6500,7000,7500,8000,8500,9000,9500,10000			
	NOMA	NOMA	string	0	Off		
				1	On		
	Num Of Open Mic	Num Of Open Mic	string	1 - 10	1 - 10 mic		
	Priority Mode	Priority mode	string	0	Mode 1		
				1	Mode 2		
	Gate Threshold						
	Enable	Gate Threshold permission	string	0	Off		
1				On			
Level	Level	string	0 - 80	-80 dB - 0 dB			
Smart Mix Group	Smart Mix Group	string	1 - 4	SmartMix Group 1 -			

					4	
7	End Character	Termination character of a message	binary	0x0d	CR	

[2] ACK/NAK

See Factory Default Setting Request[2].

4.3.22 Smart Mix Common Setting Acquisition Request

After receiving the Smart Mix Common Setting Acquisition Request, the ATDM-1012 sends the input settings to the host via Answer.

[1] Get Command

The command format of the Smart Mix Common Setting Acquisition Request from the host is shown below.

```
g_smart_mix_general_O_0000_00_NC_1_↵
```

Table 4-63 Command Format

No	item	Description	type	value	value description	remarks
1	Command	Command character string	string	g_smart_mix_general		
2	HandShake Select	Sequence execution method	string	O		
3	Model ID	Unused	string	0000	Unused	
4	Unit No	Unused	string	00	Unused	
5	Continue Select	Message division method	string	NC	No divided message	
6	Parameter	Parameter				
	Smart Mix Group	Smart Mix Group	string	1 - 4	SmartMix Group 1 - 4	Group1 on omitted
7	End Character	Termination character of a message	binary	0x0d	CR	

[2] Answer

The Answer command format from the ATDM-1012 is shown below.

```
g_smart_mix_general_0000_00_NC_2,1,10000,1,10,1,1,80,4_↵
```

Table 4-64 Answer Command Format

No	item	Description	type	value	value description	remarks	
1	Command	Command character string	string	g_smart_mix_general			
2	Model ID	Unused	string	0000	Unused		
3	Unit No	Device ID	string	00 – FF	Device ID		
4	Continue Select	Message division method	string	NC	No divided message		
5	Parameter	Parameter					
	Mode	Smart Mix mode	string	0	Off		
				1	Gate		
				2	Gain Share		
	Last Mic On	Last Mic On	string	0	Off		
				1	On		
	Gate Hold Time	Gate Hold Time	string	100,200,300,400,500,1000,1500,2000,2500,3000,3500,4000,4500,5000,5500,6000,6500,7000,7500,8000,8500,9000,9500,10000			
	NOMA	NOMA	string	0	Off		
				1	On		
	Num Of Open Mic	Num Of Open Mic	string	1 - 10	1 - 10 mic		
	Priority Mode	Priority mode	string	0	Mode 1		
				1	Mode 2		
	Gate Threshold						
		Enable	Gate Threshold permission	string	0	Off	
					1	On	
	Level	Level	string	0 - 80	-80 dB - 0 dB		
	Smart Mix Group	Smart Mix Group	string	1 - 4	SmartMix Group 1 - 4		
6	End Character	Termination character of a message	binary	0x0d	CR		

4.3.23 Ducker Setting Change Request

After receiving the Ducker Setting Change Request, the ATDM-1012 sends the processing results to the host via ACK or NAK.

[1] Set Command

The command format of the Ducker Setting Change Request from the host is shown below.

s_ducker_general_S_0000_00_NC_1,4,1,4,1,4,1,4_↵

Table 4-65 Command Format

No	item	Description	type	value	value description	remarks	
1	Command	Command character string	string	s_ducker_genera l			
2	HandShake Select	Sequence execution method	string	S			
3	Model ID	Unused	string	0000	Unused		
4	Unit No	Unused	string	00	Unused		
5	Continue Select	Message division method	string	NC	No divided message		
6	Parameter	Parameter					
	ST1						
	Enable	Ducker permission	string	0 1	Off On		
	Trigger			string	1	Bus1	
					2	Bus2	
					3	Bus3	
					4	Bus4	
	ST2						Same as ST1
	SUB1/2						Same as ST1
	SUB3/4						Same as ST1
7	End Character	Termination character of a message	binary	0x0d	CR		

[2] ACK/NAK

See Factory Default Setting Request①(ア)[2].

4.3.24 Ducker Setting Acquisition Request

After receiving the Ducker Setting Acquisition Request, the ATDM-1012 sends the log settings to the host via Answer.

[1] Get Command

The command format of the Ducker Setting Acquisition Request from the host is shown below.

g_ducker_general_O_0000_00_NC_↵

Table 4-66 Command Format

No	item	Description	type	value	value description	remarks
1	Command	Command character string	string	g_ducker_general		
2	HandShake Select	Sequence execution method	string	O		
3	Model ID	Unused	string	0000	Unused	
4	Unit No	Unused	string	00	Unused	
5	Continue Select	Message division method	string	NC	No divided message	
6	Parameter	Parameter	-	-	No parameter	
7	End Character	Termination character of a message	binary	0x0d	CR	

[2] Answer

The Answer command format from the ATDM-1012 is shown below.

g_ducker_general_0000_00_NC_1,4,1,4,1,4,1,4_↵

Table 4-67 Answer Command Format

No	item	Description	type	value	value description	remarks		
1	Command	Command character string	string	g_ducker_general				
2	Model ID	Unused	string	0000	Unused			
3	Unit No	Device ID	string	00 – FF	Device ID			
4	Continue Select	Message division method	string	NC	No divided message			
5	Parameter	Parameter						
		ST1						
		Enable	Ducker permission	string	0	Off		
					1	On		
		Trigger		string	1	Bus1		
					2	Bus2		
					3	Bus3		
					4	Bus4		
		ST2						Same as ST1
		SUB1/2						Same as ST1
SUB3/4						Same as ST1		
6	End Character	Termination character of a message	binary	0x0d	CR			

4.3.25 Matrix Bus Common Setting Change Request

After receiving the Matrix Bus Common Setting Change Request, the ATDM-1012 sends the processing results to the host via ACK or NAK.

[1] Set Command

The command format of the Matrix Bus Common Setting Change Request from the host is shown below.

s_matrix_general_S_0000_00_NC_1,1,1,1_↵

Table 4-68 Command Format

No	item	Description	type	value	value description	remarks	
1	Command	Command character string	string	s_matrix_general			
2	HandShake Select	Sequence execution method	string	S			
3	Model ID	Unused	string	0000	Unused		
4	Unit No	Unused	string	00	Unused		
5	Continue Select	Message division method	string	NC	No divided message		
6	Parameter	Parameter					
	Bus 5/6						
	Link	Link	string	0	Unlink		
				1	Link		
	Bus 7/8						Same as Bus 5/6
	Bus 9/10						Same as Bus 5/6
Bus 11/12						Same as Bus 5/6	
7	End Character	Termination character of a message	binary	0x0d	CR		

[2] ACK/NAK

See Factory Default Setting Request①(ア)[2].

4.3.26 Matrix Bus Common Setting Acquisition Request

After receiving the Matrix Bus Common Setting Acquisition Request, the ATDM-1012 sends the log settings to the host via Answer.

[1] Get Command

The command format of the Matrix Bus Common Setting Acquisition Request from the host is shown below.

g_matrix_general _O_ 0000 _00_ NC _↵

Table 4-69 Command Format

No	item	Description	type	value	value description	remarks
1	Command	Command character string	string	g_matrix_general		
2	HandShake Select	Sequence execution method	string	O		
3	Model ID	Unused	string	0000	Unused	
4	Unit No	Unused	string	00	Unused	
5	Continue Select	Message division method	string	NC	No divided message	
6	Parameter	Parameter	-	-	No parameter	
7	End Character	Termination character of a message	binary	0x0d	CR	

[2] Answer

The Answer command format from the ATDM-1012 is shown below.

g_matrix_general _0000 _00 _NC _1,1,1,1 _↵

Table 4-70 Answer Command Format

No	item	Description	type	value	value description	remarks	
1	Command	Command character string	string	g_matrix_general			
2	Model ID	Unused	string	0000	Unused		
3	Unit No	Device ID	string	00 – FF	Device ID		
4	Continue Select	Message division method	string	NC	No divided message		
5	Parameter	Parameter					
	Bus 5/6						
	Link	Link	string	0	Unlink		
				1	Link		
	Bus 7/8						Same as Bus 5/6
	Bus 9/10						Same as Bus 5/6
Bus 11/12						Same as Bus 5/6	
6	End Character	Termination character of a message	binary	0x0d	CR		

4.3.27 Matrix Bus Name Change Request

After receiving the Matrix Bus Name Change Request, the ATDM-1012 sends the processing results to the host via ACK or NAK.

[1] Set Command

The command format of the Matrix Bus Name Change Request from the host is shown below.

s_name_bus_S_0000_00_NC_1,"bus 1"↵

Table 4-71 Command Format

No	item	Description	type	value	value description	remarks
1	Command	Command character string	string	s_name_bus		
2	HandShake Select	Sequence execution method	string	S		
3	Model ID	Unused	string	0000	Unused	
4	Unit No	Unused	string	00	Unused	
5	Continue Select	Message division method	string	NC	No divided message	
6	Parameter	Parameter				
	Bus Number	Bus number	string	1 - 12	Bus1 - 12	
	Name	Bus name	char	"	Beginning of character string	
			string	ASCII code	Bus name	To contain double quotation marks ("), specify them in succession like "".
char	"	End of character string				
7	End Character	Termination character of a message	binary	0x0d	CR	

[2] ACK/NAK

See Factory Default Setting Request①(ア)[2].

4.3.28 Matrix Bus Name Acquisition Request

After receiving the Matrix Bus Name Acquisition Request, the ATDM-1012 sends the Preset Bank Name Acquisition Request to the host via Answer.

[1] Get Command

The command format of the Matrix Bus Name Acquisition Request from the host is shown below.

g_name_bus_O_0000_00_NC_12_↵

Table 4-72 Command Format

No	item	Description	type	value	value description	remarks
1	Command	Command character string	string	g_name_bus		
2	HandShake Select	Sequence execution method	string	O		
3	Model ID	Unused	string	0000	Unused	
4	Unit No	Unused	string	00	Unused	
5	Continue Select	Message division method	string	NC	No divided message	
6	Parameter	Parameter				
	Bus Number	Bus number	string	1 - 12	Bus1 - 12	
7	End Character	Termination character of a message	binary	0x0d	CR	

[2] Answer

The Answer command format from the ATDM-1012 is shown below.

g_name_bus_0000_00_NC_12,"bus 12ss"↵

Table 4-73 Command Format

No	item	Description	type	value	value description	remarks
1	Command	Command character string	string	g_name_bus		
2	Model ID	Unused	string	0000	Unused	
3	Unit No	Device ID	string	00 – FF	Device ID	
4	Continue Select	Message division method	string	NC	No divided message	
5	Parameter	Parameter				
	Bus Number	Bus number	string	1 - 12	Bus1 - 12	
	Name	Bus name	char	"	Beginning of character string	
			string	ASCII code	Bus name	To contain double quotation marks ("), specify them in succession like "".
		char	"	End of character string		
6	End Character	Termination character of a message	binary	0x0d	CR	

4.4 Output Command Details

4.4.1 Output Level Setting Change Request

After receiving the Output Level Setting Change Request, the ATDM-1012 sends the processing results to the host via ACK or NAK.

[1] Set Command

The command format of the Output Level Setting Change Request from the host is shown below.

s_output_level_S_0000_00_NC_9,511,1,511,0,511_↓

Table 4-74 Command Format

No	item	Description	type	value	value description	remarks	
1	Command	Command character string	string	s_output_level			
2	HandShake Select	Sequence execution method	string	S			
3	Model ID	Unused	string	0000	Unused		
4	Unit No	Unused	string	00	Unused		
5	Continue Select	Message division method	string	NC	No divided message		
6	Parameter	Parameter					
	Output Channel Select	Output channel select	string	0 - 7	Output Channel 1 - 8		
				8	Output ST1		
				9	Output ST2		
	Level	Level	string	0 - 511	-120 to +10db	See 6.1 Fader Table.	
	Max Volume						
	Enable	On/Off	string	0	Off		
				1	On		
	Value	Volume	string	0 - 511	-120 to +10db	See 6.1 Fader Table.	
	Min Volume						
	Enable	On/Off	string	0	Off		
				1	On		
Value	Volume	string	0 - 511	-120 to +10db	See 6.1 Fader Table.		
7	End Character	Termination character of a message	binary	0x0d	CR		

[2] ACK/NAK
See Factory Default Setting Request[2].

4.4.2 Output Level Setting Acquisition Request

After receiving the Output Level Setting Acquisition Request, the ATDM-1012 sends the output settings to the host via Answer.

[1] Get Command

The command format of the Output Level Setting Acquisition Request from the host is shown below.

g_output_level_O_0000_00_NC_9_↵

Table 4-75 Command Format

No	item	Description	type	value	value description	remarks
1	Command	Command character string	string	g_output_level		
2	HandShake Select	Sequence execution method	string	O		
3	Model ID	Unused	string	0000	Unused	
4	Unit No	Unused	string	00	Unused	
5	Continue Select	Message division method	string	NC	No divided message	
6	Parameter	Parameter				
	Output Channel Select	Output channel select	string	0 - 7	Output Channel 1 - 8	
				8	Output ST1	
				9	Output ST2	
7	End Character	Termination character of a message	binary	0x0d	CR	

[2] Answer

The Answer command format from the ATDM-1012 is shown below.

g_output_level_0000_00_NC_9,511,1,511,0,511_

Table 4-76 Answer Command Format

No	item	Description	type	value	value description	remarks	
1	Command	Command character string	string	g_output_level			
2	Model ID	Unused	string	0000	Unused		
3	Unit No	Device ID	string	00 – FF	Device ID		
4	Continue Select	Message division method	string	NC	No divided message		
5	Parameter	Parameter					
	Output Channel Select	Output channel select	string	0 - 7	Output Channel 1 - 8		
				8	Output ST1		
				9	Output ST2		
	Level	Level	string	0 - 511	-120 to +10db	See 6.1 Fader Table.	
	Max Volume						
	Enable	On/Off	string	0	Off		
				1	On		
	Value	Volume	string	0 - 511	-120 to +10db	See 6.1 Fader Table.	
	Min Volume						
	Enable	On/Off	string	0	Off		
1				On			
Value	Volume	string	0 - 511	-120 to +10db	See 6.1 Fader Table.		
6	End Character	Termination character of a message	binary	0x0d	CR		

4.4.3 Output Channel Mute Setting Change Request

After receiving the Output Channel Mute Setting Change Request, the ATDM-1012 sends the processing results to the host via ACK or NAK.

[1] Set Command

The command format of the Output Channel Mute Setting Change Request from the host is shown below.

s_output_mute_S_0000_00_NC_9,1_↵

Table 4-77 Command Format

No	item	Description	type	value	value description	remarks		
1	Command	Command character string	string	s_output_mute				
2	HandShake Select	Sequence execution method	string	S				
3	Model ID	Unused	string	0000	Unused			
4	Unit No	Unused	string	00	Unused			
5	Continue Select	Message division method	string	NC	No divided message			
6	Parameter	Parameter						
				Output Channel Select	Output channel select	string	0 - 7	Output Channel 1 - 8
						8	Output ST1	
						9	Output ST2	
	Mute	Mute	string	0	Disable			
					1	Enable		
7	End Character	Termination character of a message	binary	0x0d	CR			

[2] ACK/NAK

See Factory Default Setting Request[2].

4.4.4 Output Channel Mute Setting Acquisition Request

After receiving the Output Channel Mute Setting Acquisition Request, the ATDM-1012 sends the output settings to the host via Answer.

[1] Get Command

The command format of the Output Channel Mute Setting Acquisition Request from the host is shown below.

g_output_mute_O_0000_00_NC_9_↵

Table 4-78 Command Format

No	item	Description	type	value	value description	remarks
1	Command	Command character string	string	g_output_mute		
2	HandShake Select	Sequence execution method	string	O		
3	Model ID	Unused	string	0000	Unused	
4	Unit No	Unused	string	00	Unused	
5	Continue Select	Message division method	string	NC	No divided message	
6	Parameter	Parameter				
	Output Channel Select	Output channel select	string	0 - 7	Output Channel 1 - 8	
				8	Output ST1	
				9	Output ST2	
7	End Character	Termination character of a message	binary	0x0d	CR	

[2] Answer

The Answer command format from the ATDM-1012 is shown below.

g_output_mute_0000_00_NC_9,1_↵

Table 4-79 Answer Command Format

No	item	Description	type	value	value description	remarks
1	Command	Command character string	string	g_output_mute		
2	Model ID	Unused	string	0000	Unused	
3	Unit No	Device ID	string	00 – FF	Device ID	
4	Continue Select	Message division method	string	NC	No divided message	
5	Parameter	Parameter	string	0 - 7	Output Channel 1 - 8	
				8	Output ST1	
	Mute	Mute	string	0	Disable	
				1	Enable	
6	End Character	Termination character of a message	binary	0x0d	CR	

4.4.5 Output Channel Setting Change Request

After receiving the Output Channel Setting Change Request, the ATDM-1012 sends the processing results to the host via ACK or NAK.

[1] Set Command

The command format of the Output Channel Setting Change Request from the host is shown below.

s_output_channel_settings_S_0000_00_NC_9,3,"OUT ST2",FFFFFF,1,13

Table 4-80 Command Format

No	item	Description	type	value	value description	remarks			
1	Command	Command character string	string	s_output_channel_settings					
2	HandShake Select	Sequence execution method	string	S					
3	Model ID	Unused	string	0000	Unused				
4	Unit No	Unused	string	00	Unused				
5	Continue Select	Message division method	string	NC	No divided message				
6	Parameter	Parameter							
			Output Channel Select	Output channel select	string	0 - 7	Output Channel 1 - 8		
						8	Output ST1		
						9	Output ST2		
			Unity	Unity	string	0	+4dBu	Other than ST1/2	
						1	0dBv		
						2	-10dBv		
						3	-33dBv	Only ST1/2	
			Name	Channel name	char	"	Beginning of character string		
						string	ASCII code	Name	To contain double quotation marks ("), specify them in succession like "".
						char	"	End of character string	
			Color	Channel color	string	0	Green		
						1	Yellow		
2	Brown								
3	Red								
4	Pink								
5	Blue								

No	item	Description	type	value	value description	remarks
				6	Gray	
				7	DarkGray	
	Link	Link	string	0	Unlink	
				1	Link	
	Source	Input source	string	0	OFF	
				1 - 12	Bus1 - 12	
				13	Direct Out	
	Fader Group	Fader Group	string	0	None	
				1	Group A	
				2	Group B	
				3	Group C	
				4	Group D	
				5	Group E	
				6	Group F	
7				Group G		
8	Group H					
7	End Character	Termination character of a message	binary	0x0d	CR	

[2] ACK/NAK

See Factory Default Setting Request[2].

4.4.6 Output Channel Setting Acquisition Request

After receiving the Output Channel Setting Acquisition Request, the ATDM-1012 sends the output settings to the host via Answer.

[1] Get Command

The command format of the Output Channel Setting Acquisition Request from the host is shown below.

g_output_channel_settings_O_0000_00_NC_9_↵

Table 4-81 Command Format

No	item	Description	type	value	value description	remarks
1	Command	Command character string	string	g_output_channel_settings		
2	HandShake Select	Sequence execution method	string	O		
3	Model ID	Unused	string	0000	Unused	
4	Unit No	Unused	string	00	Unused	
5	Continue Select	Message division method	string	NC	No divided message	
6	Parameter	Parameter				
	Output Channel Select	Output channel select	string	0 - 7	Output Channel 1 - 8	
				8	Output ST1	
				9	Output ST2	
7	End Character	Termination character of a message	binary	0x0d	CR	

[2] Answer

The Answer command format from the ATDM-1012 is shown below.

g_output_channel_settings_0000_00_NC_9,3,"OUT ST2",FFFFFF,1,13_↓

Table 4-82 Answer Command Format

No	item	Description	type	value	value description	remarks
1	Command	Command character string	string	g_output_channel_settings		
2	Model ID	Unused	string	0000	Unused	
3	Unit No	Device ID	string	00 – FF	Device ID	
4	Continue Select	Message division method	string	NC	No divided message	
5	Parameter	Parameter				
	Output Select	Channel select	string	0 - 7	Output Channel 1 - 8	
				8	Output ST1	
				9	Output ST2	
	Unity	Unity	string	0	+4dBu	Other than ST1/2
				1	0dBv	
				2	-10dBv	
				3	-33dBv	Only ST1/2
	Name	Channel name	char	"	Beginning of character string	
			string	ASCII code	Name	To contain double quotation marks ("), specify them in succession like "".
			char	"	End of character string	
	Color	Channel color	string	0	Green	
				1	Yellow	
				2	Brown	
				3	Red	
				4	Pink	
				5	Blue	
				6	Gray	
	Link	Link	string	0	Unlink	
				1	Link	

No	item	Description	type	value	value description	remarks
----	------	-------------	------	-------	-------------------	---------

No	item	Description	type	value	value description	remarks
1	Command	Command character string	string	s_output_eq		
2	HandShake Select	Sequence execution method	string	S		
3	Model ID	Unused	string	0000	Unused	
4	Unit No	Unused	string	00	Unused	
5	Continue Select	Message division method	string	NC	No divided message	
6	Parameter	Parameter				
	Output Channel Select	Output channel select	string	0 - 7	Output Channel 1 - 8	
				8	Output ST1	
				9	Output ST2	
	EQ On/Off	On/Off for whole EQ CH	string	0	Off	
				1	On	
	Band1					
	Band Enable	Enable	string	0	Off	
				1	On	
	Filter Type	Filter type	string	0	LPF/HPF	
				1	LSH/HSH	
				2	PEQ	
	Frequency	Frequency	string	0 - 480	20 Hz to 20 kHz	See 6.2 Frequency Table.
	Gain	Gain	string	0 - 72	-18 dB to +18 dB	See 6.4 EQ Gain Table.
	Q Value	Q value	string	0 - 31	0.3 - 60	See 6.3 Q Value Table.
	Band2					
	Band Enable	Enable	string	0	Off	
				1	On	
	Frequency	Frequency	string	0 - 480	20 Hz to 20 kHz	See 6.2 Frequency Table.
	Gain	Gain	string	0 - 72	-18 dB to +18 dB	See 6.4 EQ Gain Table.
	Q Value	Q value	string	0 - 31	0.3 - 60	See 6.3 Q Value Table.
	Band3					
	Band4					
	Band5					
	Band6					
	Band7					

No	item	Description	type	value	value description	remarks
	Band8					Same as Band2
	Band9					Same as Band2
	Band10					Same as Band2
	Band11					Same as Band2
	Band12					Same as Band1
7	End Character	Termination character of a message	binary	0x0d	CR	

[2] ACK/NAK

See Factory Default Setting Request[2].

4.4.8 Output EQ Setting Acquisition Request

After receiving the Output EQ Setting Acquisition Request, the ATDM-1012 sends the output settings to the host via Answer.

[1] Get Command

The command format of the Output EQ Setting Acquisition Request from the host is shown below.

g_output_eq_0_0000_00_NC_9_↵

Table 4-84 Command Format

No	item	Description	type	value	value description	remarks
1	Command	Command character string	string	g_output_eq		
2	HandShake Select	Sequence execution method	string	0		
3	Model ID	Unused	string	0000	Unused	
4	Unit No	Unused	string	00	Unused	
5	Continue Select	Message division method	string	NC	No divided message	
6	Parameter	Parameter				
	Output Channel Select	Output channel select	string	0 - 7	Output Channel 1 - 8	
				8	Output ST1	
				9	Output ST2	
7	End Character	Termination character of a message	binary	0x0d	CR	

No	item	Description	type	value	value description	remarks
	Frequency	Frequency	string	0 - 480	20 Hz to 20 kHz	See 6.2 Frequency Table.
	Gain	Gain	string	0 - 72	-18 dB to +18 dB	See 6.4 EQ Gain Table.
	Q Value	Q value	string	0 - 31	0.3 - 60	See 6.3 Q Value Table.
	Band3					Same as Band2
	Band4					Same as Band2
	Band5					Same as Band2
	Band6					Same as Band2
	Band7					Same as Band2
	Band8					Same as Band2
	Band9					Same as Band2
	Band10					Same as Band2
	Band11					Same as Band2
	Band12					Same as Band1
6	End Character	Termination character of a message	binary	0x0d	CR	

4.4.912BandEQFunction Request

After receiving the 12BandEQFunction Request, the ATDM-1012 sends the processing results to the host via ACK or NAK.

[1] Set Command

The command format of the 12BandEQFunction Request from the host is shown below.

s_output_12eq_func_S_0000_00_NC_9,3,0↵

Table 4-86 Command Format

No	item	Description	type	value	value description	remarks
1	Command	Command character string	string	s_output_12eq_func		
2	HandShake Select	Sequence execution method	string	S		
3	Model ID	Unused	string	0000	Unused	
4	Unit No	Unused	string	00	Unused	
5	Continue Select	Message division method	string	NC	No divided message	
6	Parameter	Parameter	string	0 - 7	Output Channel 1 - 8	
				8	Output ST1	
				9	Output ST2	
	Processing Type	Processing type	string	0	Flat	All band gain 0
				1	Recall EQ Preset	
				2	Save EQ Preset	
				3	Reset	Reset to Default
	Preset Number	Preset EQ number	string	1 - 20	EQ library 1 - 20	When the processing type is 1,2
7	End Character	Termination character of a message	binary	0x0d	CR	

[2] ACK/NAK

See Factory Default Setting Request[2].

4.4.10 FBS Setting Change Request

Same as 4.3.13 FBS Setting Change Request.

4.4.11 FBS Setting Acquisition Request

Same as 4.3.14 FBS Setting Acquisition Request

4.4.12 Dynamics&Delay Setting Change Request

After receiving the Dynamics&Delay Setting Change Request, the ATDM-1012 sends the processing results to the host via ACK or NAK.

[1] Set Command

The command format of the Dynamics&Delay Setting Change Request from the host is shown below.

s_dynamics_delay_S_0000_00_NC_9,1,1,1,60,5,10000,2000,20,2,480,72,31,2,480,72,31
 ,1,1,60,1,1000_↵

Table 4-87 Command Format

No	item	Description	type	value	value description	remarks	
1	Command	Command character string	string	s_dynamics_delay			
2	HandShake Select	Sequence execution method	string	S			
3	Model ID	Unused	string	0000	Unused		
4	Unit No	Unused	string	00	Unused		
5	Continue Select	Message division method	string	NC	No divided message		
6	Parameter	Parameter					
	Output Channel Select	Output channel select	string	0 - 7	Output Channel 1 - 8		
				8	Output ST1		
				9	Output ST2		
	Pre/Post	Pre/Post	string	0	Pre		
				1	Post		
	Enalbe	Compressor permission	string	0	Off		
				1	On		
	Comp/DeEsser	Compressor/DeEsser	string	0	Comp		
				1	DeEsser		
	Compressor						
		Threshold	Compressor attenuation	string	0 - 60	-60 dB - 0 dB	
		Ratio	Tilt of a waveform	string	0	1:1.4	
	1				1:2		
2	1:4						

No	item	Description	type	value	value description	remarks
				3	1:6	
				4	1.10	
				5	+∞	
	Attack Time	Attack time	string	0	0msec	
				25	0.25msec	
				50	0.5msec	
				100	1msec	
				200	2msec	
				400	4msec	
				800	8msec	
				1600	16msec	
				3200	32msec	
				10000	100msec	
	Release Time	Release time	string	50,100,200,400,800,1000,2000	50 - 2000 msec	
	Output Gain	Gain	string	0 - 20	10 - -10 dB	
DeEssor						
Band1						
	Filter Type	Filter type	string	0	LPF/HPF	
				1	LSH/HSB	
				2	PEQ	
	Frequency	Frequency	string	0 - 480	20 Hz to 20 kHz	See 6.2 Frequency Table.
	Gain	Gain	string	36 - 72	0 dB - +18 dB	See 6.4 EQ Gain Table.
	Q Value	Q value	string	0 - 31	0.3 - 60	See 6.3 Q Value Table.
Band2						
Same as Band1						
	Side Chain	Side Chain	string	0	Off	
				1	On	
	Low Cut	Low Cut	string	0	Off	
				1	On	
Limiter						
	Enalbe	Limiter permission	string	0	Off	
				1	On	
	Threshold	Limiter attenuation	string	0 - 60	-60 dB - 0 dB	

No	item	Description	type	value	value description	remarks
		amount				
	Delay					
	Enalbe	Delay permission	string	0	Off	
				1	On	
	Delay Time	Delay time	string	0 - 1000	0 - 1000 msec	
7	End Character	Termination character of a message	binary	0x0d	CR	

[2] ACK/NAK

See Factory Default Setting Request[2].

4.4.13 Dynamics&Delay Setting Acquisition Request

After receiving the Dynamics&Delay Setting Acquisition Request, the ATDM-1012 sends the output settings to the host via Answer.

[1] Get Command

The command format of the Dynamics&Delay Setting Acquisition Request from the host is shown below.

g_dynamics_delay_O_0000_00_NC_9

Table 4-88 Command Format

No	item	Description	type	value	value description	remarks
1	Command	Command character string	string	g_dynamics_delay		
2	HandShake Select	Sequence execution method	string	O		
3	Model ID	Unused	string	0000	Unused	
4	Unit No	Unused	string	00	Unused	
5	Continue Select	Message division method	string	NC	No divided message	
6	Parameter Output Channel Select	Parameter Output channel select	string	0 - 7	Output Channel 1 - 8	
				8	Output ST1	
				9	Output ST2	
7	End Character	Termination character of a message	binary	0x0d	CR	

[2] Answer

The Answer command format from the ATDM-1012 is shown below.

g_dynamics_delay_0000_00_NC_9,1,1,1,60,5,10000,2000,20,2,480,72,31,2,480,72,31,1,1,60,1,1000

Table 4-89 Answer Command Format

No	item	Description	type	value	value description	remarks	
1	Command	Command character string	string	g_dynamics_delay			
2	Model ID	Unused	string	0000	Unused		
3	Unit No	Device ID	string	00 – FF	Device ID		
4	Continue Select	Message division method	string	NC	No divided message		
5	Parameter	Parameter					
	Output Channel Select	Output channel select	string	0 - 7 8 9	Output Channel 1 - 8 Output ST1 Output ST2		
	Pre/Post		string	0 1	Pre Post		
	Enalbe	Compressor permission	string	0 1	Off On		
	Comp/DeEsser		string	0 1	Comp DeEsser		
	Compressor						
	Threshold	Compressor attenuation	string	0 - 60	-60 dB - 0 dB		
	Ratio	Tilt of a waveform	string	0	1:1.4		
				1	1:2		
				2	1:4		
				3	1:6		
				4	1.10		
	5	+∞					
	Attack Time	Attack time	string	0	0msec		
				25	0.25msec		
				50	0.5msec		
				100	1msec		
				200	2msec		
				400	4msec		
				800	8msec		
1600				16msec			

No	item	Description	type	value	value description	remarks
				3200	32msec	
				10000	100msec	
	Release Time	Release time	string	50,100,200,400,800,1000,2000	50 - 2000 msec	
	Output Gain	Gain	string	0 - 20	10 - -10 dB	
	DeEssor					
	Band1					
	Filter Type	Filter type	string	0	LPF/HPF	
1				LSH/HSB		
2				PEQ		
	Frequency	Frequency	string	0 - 480	20 Hz to 20 kHz	See 6.2 Frequency Table.
	Gain	Gain	string	0 - 72	-18 dB to +18 dB	See 6.4 EQ Gain Table.
	Q Value	Q value	string	0 - 31	0.3 - 60	See 6.3 Q Value Table.
	Band2					
	Side Chain		string	0	Off	
				1	On	
	Low cut	Low cut	string	0	Off	
				1	On	
	Limiter					
	Enalbe	Limiter permission	string	0	Off	
				1	On	
	Threshold	Limiter attenuation amount	string	0 - 60	-60 dB - 0 dB	
	Delay					
	Enalbe	Delay permission	string	0	Off	
				1	On	
	Delay Time	Delay time	string	0 - 1000	0 - 1000 msec	
6	End Character	Termination character of a message	binary	0x0d	CR	

4.4.14 USB Out Setting Change Request

After receiving the USB Out Setting Change Request, the ATDM-1012 sends the processing results to the host via ACK or NAK.

[1] Set Command

The command format of the USB Out Setting Change Request from the host is shown below.

s_usb_out_S_0000_00_NC_12,12,411_↵

Table 4-90 Command Format

No	item	Description	type	value	value description	remarks
1	Command	Command character string	string	s_usb_out		
2	HandShake Select	Sequence execution method	string	S		
3	Model ID	Unused	string	0000	Unused	
4	Unit No	Unused	string	00	Unused	
5	Continue Select	Message division method	string	NC	No divided message	
6	Parameter	Parameter				
	USB1 Bus Select	USB1 bus	string	0	Off	
				1 - 12	Bus 1 - 12	
	USB2 Bus Select	USB2 bus	string	0	Off	
1 - 12				Bus 1 - 12		
Send Level	Output level	string	0 - 411	-120 to 0db	See 6.1 Fader Table.	
7	End Character	Termination character of a message	binary	0x0d	CR	

[2] ACK/NAK

See Factory Default Setting Request[2].

4.4.15 USB Out Setting Acquisition Request

After receiving the USB Out Setting Acquisition Request, the ATDM-1012 sends the USB output settings to the host via Answer.

[1] Get Command

The command format of the USB Out Setting Acquisition Request from the host is shown below.

g_usb_out_O_0000_00_NC_↵

Table 4-91 Command Format

No	item	Description	type	value	value description	remarks
1	Command	Command character string	string	g_usb_out		
2	HandShake Select	Sequence execution method	string	O		
3	Model ID	Unused	string	0000	Unused	
4	Unit No	Unused	string	00	Unused	
5	Continue Select	Message division method	string	NC	No divided message	
6	Parameter	Parameter	-	-	No parameter	
7	End Character	Termination character of a message	binary	0x0d	CR	

[2] Answer

The Answer command format from the ATDM-1012 is shown below.

g_usb_out_0000_00_NC_12,12,411_↵

Table 4-92 Answer Command Format

No	item	Description	type	value	value description	remarks
1	Command	Command character string	string	g_usb_out		
2	Model ID	Unused	string	0000	Unused	
3	Unit No	Device ID	string	00 – FF	Device ID	
4	Continue Select	Message division method	string	NC	No divided message	
5	Parameter	Parameter				
	USB1 Bus Select	USB1 bus	string	0	Off	
				1 - 12	Bus 1 - 12	
	USB2 Bus Select	USB2 bus	string	0	Off	
				1 - 12	Bus 1 - 12	
Send Level	Output level	string	0 - 411	-120 to 0db	See 6.1 Fader Table.	
6	End Character	Termination character of a message	binary	0x0d	CR	

4.4.16 Oscillator Control Setting Change Request

After receiving the Oscillator Control Setting Change Request, the ATDM-1012 sends the processing results to the host via ACK or NAK.

[1] Set Command

The command format of the Oscillator Control Setting Change Request from the host is shown below.

s_oscillator_S_0000_00_NC_1,1,2,121,1,1,1,1,1,1,1,1,1,1,1_↵

Table 4-93 Command Format

No	item	Description	type	value	value description	remarks	
1	Command	Command character string	string	s_oscillator			
2	HandShake Select	Sequence execution method	string	S			
3	Model ID	Unused	string	0000	Unused		
4	Unit No	Unused	string	00	Unused		
5	Continue Select	Message division method	string	NC	No divided message		
6	Parameter	Parameter					
	Enalbe	Oscillator permission	string	0	Off		
				1	On		
	Source	Source	string	0	Sine Wave		
				1	Pink Noise		
	Frequency	Frequency	string	0	100Hz		
				1	1kHz		
				2	10kHz		
	Level	Level	string	0 - 121	-∞, -120 to +10db	See 6.1 Fader Table.	
	CH1						
	Assign	CH assign	string	0	Off		
				1	On		
	CH2						Same as CH1
	CH3						Same as CH1
	CH4						Same as CH1
	CH5						Same as CH1
	CH6						Same as CH1
	CH7						Same as CH1

No	item	Description	type	value	value description	remarks
	CH8					Same as CH1
	ST1					Same as CH1
	ST2					Same as CH1
7	End Character	Termination character of a message	binary	0x0d	CR	

[2] ACK/NAK

See Factory Default Setting Request[2].

4.4.17 Oscillator Control Setting Acquisition Request

After receiving the Oscillator Control Setting Acquisition Request, the ATDM-1012 sends the USB output settings to the host via Answer.

[1] Get Command

The command format of the Oscillator Control Setting Acquisition Request from the host is shown below.

g_oscillator_O_0000_00_NC_↓

Table 4-94 Command Format

No	item	Description	type	value	value description	remarks
1	Command	Command character string	string	g_oscillator		
2	HandShake Select	Sequence execution method	string	O		
3	Model ID	Unused	string	0000	Unused	
4	Unit No	Unused	string	00	Unused	
5	Continue Select	Message division method	string	NC	No divided message	
6	Parameter	Parameter	-	-	No parameter	
7	End Character	Termination character of a message	binary	0x0d	CR	

[2] Answer

The Answer command format from the ATDM-1012 is shown below.

g_oscillator_0000_00_NC_1,1,2,121,1,1,1,1,1,1,1,1,1,1,1_↓

Table 4-95 Answer Command Format

No	item	Description	type	value	value description	remarks
1	Command	Command character string	string	g_oscillator		
2	Model ID	Unused	string	0000	Unused	
3	Unit No	Device ID	string	00 – FF	Device ID	
4	Continue Select	Message division method	string	NC	No divided message	
5	Parameter	Parameter				
	Enalbe	Oscillator permission	string	0	Off	
				1	On	
	Source	Source	string	0	Sine Wave	
1				Pink Noise		
Frequency	Frequency	string	0	100Hz		

No	item	Description	type	value	value description	remarks	
				1	1kHz		
				2	10kHz		
	Level	Level	string	0 - 121	$-\infty$, -120 to +10db	See 6.1 Fader Table.	
	CH1						
	Assign	CH assign	string	0	Off		
				1	On		
	CH2						Same as CH1
	CH3						Same as CH1
	CH4						Same as CH1
	CH5						Same as CH1
	CH6						Same as CH1
	CH7						Same as CH1
	CH8						Same as CH1
	ST1						Same as CH1
ST2						Same as CH1	
6	End Character	Termination character of a message	binary	0x0d	CR		

4.5 Operator Page Command Details

4.5.1 Operator Page Common Setting Change Request

After receiving the Operator Page Common Setting Change Request, the ATDM-1012 sends the processing results to the host via ACK or NAK.

[1] Set Command

The command format of the Operator Page Common Setting Change Request from the host is shown below.

s_operator_general_S_0000_00_NC_1,1_↓

Table 4-96 Command Format

No	item	Description	type	value	value description	remarks
1	Command	Command character string	string	s_operator_general		
2	HandShake Select	Sequence execution method	string	S		
3	Model ID	Unused	string	0000	Unused	
4	Unit No	Unused	string	00	Unused	
5	Continue Select	Message division method	string	NC	No divided message	
6	Parameter	Parameter				
	MultiOperatorPage	Multi page use permission	string	0	Disable	
				1	Enable	
	Array Mic Button Link	Array Mic button operation interlock existence	string	0	Off	
1				On		
7	End Character	Termination character of a message	binary	0x0d	CR	

[2] ACK/NAK

See Factory Default Setting Request①(ア)[2].

4.5.2 Operator Page Common Setting Acquisition Request

After receiving the Operator Page Common Setting Acquisition Request, the ATDM-1012 sends the Webremote Operator common settings to the host via Answer.

[1] Get Command

The command format of the Operator Page Common Setting Acquisition Request from the host is shown below.

g_operator_general_O_0000_00_NC_↵

Table 4-97 Command Format

No	item	Description	type	value	value description	remarks
1	Command	Command character string	string	g_operator_general		
2	HandShake Select	Sequence execution method	string	O		
3	Model ID	Unused	string	0000	Unused	
4	Unit No	Unused	string	00	Unused	
5	Continue Select	Message division method	string	NC	No divided message	
6	Parameter	Parameter	-	-	No parameter	
7	End Character	Termination character of a message	binary	0x0d	CR	

[2] Answer

The Answer command format from the ATDM-1012 is shown below.

g_operator_general_0000_00_NC_1,1_↓

Table 4-98 Answer Command Format

No	item	Description	type	value	value description	remarks
1	Command	Command character string	string	g_operator_general		
2	Model ID	Unused	string	0000	Unused	
3	Unit No	Device ID	string	00 – FF	Device ID	
4	Continue Select	Message division method	string	NC	No divided message	
5	Parameter	Parameter				
	MultiOperatorPage	Multi page use permission	string	0	Disable	
				1	Enable	
	Array Mic Button Link	Array Mic button operation interlock existence	string	0	Off	
1				On		
6	End Character	Termination character of a message	binary	0x0d	CR	

4.5.3 Operator Page Setting Change Request

After receiving the Operator Page Setting Change Request, the ATDM-1012 sends the processing results to the host via ACK or NAK.

[1] Set Command

The command format of the Operator Page Setting Change Request from the host is shown below.

s_operator_pagesettings_S_0000_00_NC_8,"page1",1,1,8,1,1,1,1,1_↓

Table 4-99 Command Format

No	item	Description	type	value	value description	remarks
1	Command	Command character string	String	s_operator_pagesettings		
2	HandShake Select	Sequence execution method	string	S		
3	Model ID	Unused	string	0000	Unused	
4	Unit No	Unused	string	00	Unused	
5	Continue Select	Message division method	string	NC	No divided message	
6	Parameter	Parameter				
	Page	Page number	string	1 - 8	Page 1 - 8	
	Name	Page name	char	"	Beginning of character string	
			string	ASCII code	Page name	To contain double quotation marks ("), specify them in succession like "".
			char	"	End of character string	
	Hide from List	Use existence on multi page permitted	string	0	Off	
				1	On	
	Recall Preset	Preset call permission	string	0	Off	
				1	On	
	Num of Preset	Preset number	string	1 - 8	Preset 1 - 8	
	Fader Position Resume	Fader value save	string	0	Off	
				1	On	
	Logout Button	Logout button existence	string	0	Off	
				1	On	
	Array Mic Button	Array Mic button existence	string	0	Off	
1				On		
(Reserve)	(Reserve)	string	0	(Reserve)		
Tascam Button	Tascam button	string	0	Off		

No	item	Description	type	value	value description	remarks
				1	On	
	Tascam Button Layout	Tascam button layout	string	0	Layout1	
				1	Layout2	
7	End Character	Termination character of a message	binary	0x0d	CR	

[2] ACK/NAK

See Factory Default Setting Request①(ア)[2].

4.5.4 Operator Page Setting Acquisition Request

After receiving the Operator Page Setting Acquisition Request, the ATDM-1012 sends the Webremote Operator Page settings to the host via Answer.

[1] Get Command

The command format of the Operator Page Setting Acquisition Request from the host is shown below.

```
g_operator_pagesettings_O_0000_00_NC_8_↵
```

Table 4-100 Command Format

No	item	Description	type	value	value description	remarks
1	Command	Command character string	string	g_operator_pagesettin gs		
2	HandShake Select	Sequence execution method	string	O		
3	Model ID	Unused	string	0000	Unused	
4	Unit No	Device ID	string	00 – FF	Device ID	
5	Continue Select	Message division method	string	NC	No divided message	
6	Parameter	Parameter				
	Page	Page number	string	1 - 8	Page 1 - 8	
7	End Character	Termination character of a message	binary	0x0d	CR	

[2] Answer

The Answer command format from the ATDM-1012 is shown below.

`g_operator_pagesettings_0000_00_NC_8,"page1",1,1,8,1,1,1,1,1_`

Table 4-101 Answer Command Format

No	item	Description	type	value	value description	remarks
1	Command	Command character string	string	g_operator_pagesettings		
2	Model ID	Unused	string	0000	Unused	
3	Unit No	Unused	string	00	Unused	
4	Continue Select	Message division method	string	NC	No divided message	
5	Parameter	Parameter				
	Page	Page number	string	1 - 8	Page 1 - 8	
	Name	Page name	char	"	Beginning of character string	
			string	ASCII code	Page name	To contain double quotation marks ("), specify them in succession like "".
			char	"	End of character string	
	Hide from List	Use existence on multi page permitted	string	0	Off	
				1	On	
	Recall Preset	Preset call permission	string	0	Off	
				1	On	
	Num of Preset	Preset number	string	1 - 8	Preset 1 - 8	
	Fader Position Resume	Fader value save	string	0	Off	
				1	On	
	Logout Button	Logout button existence	string	0	Off	
				1	On	
	Array Mic Button	Array Mic button existence	string	0	Off	
				1	On	
	(Reserve)	(Reserve)	string	0	(Reserve)	
Tascam Button	Tascam button	string	0	Off		
			1	On		
Tascam Button Layout	Tascam button layout	string	0	Layout1		
			1	Layout2		

No	item	Description	type	value	value description	remarks
6	End Character	Termination character of a message	binary	0x0d	CR	

4.5.5 Operator Page Channel Setting Change Request

After receiving the Operator Page Channel Setting Change Request, the ATDM-1012 sends the processing results to the host via ACK or NAK.

[1] Set Command

The command format of the Operator Page Channel Setting Change Request from the host is shown below.

s_operator_channel_S_0000_00_NC_8,8,1,"fader8-8",5,100,1,100,1,100_↵

Table 4-102 Command Format

No	item	Description	type	value	value description	remarks	
1	Command	Command character string	string	s_operator_channel			
2	HandShake Select	Sequence execution method	string	S			
3	Model ID	Unused	string	0000	Unused		
4	Unit No	Unused	string	00	Unused		
5	Continue Select	Message division method	string	NC	No divided message		
6	Parameter	Parameter					
	Page	Page number	string	1 - 8	Page 1 - 8		
	Fader Channel	Fader channel number	string	1 - 8	Fader 1 - 8		
	Name	Fader name	char	"	Beginning of character string		
			string	ASCII code	Fader name	To contain double quotation marks ("), specify them in succession like "".	
			char	"	End of character string		
	Icon	Fader icon	string	0	Mic		
				1	Aux		
				2	PC		
				3	Chat		
				4	Spk		
	5	Rec					
	Level	Level	string	0 - 100	0 to 100	1.0step	
	Max Volume						
	Enable	On/Off	string	0	Off		
				1	On		
Value	Volume	string	0 - 100	0 to 100			

No	item	Description	type	value	value description	remarks
	Min Volume					
	Enable	On/Off	string	0	Off	
				1	On	
	Value	Volume	string	0 - 100	0 to 100	
7	End Character	Termination character of a message	binary	0x0d	CR	

[2] ACK/NAK

See Factory Default Setting Request①(ア)[2].

4.5.6 Operator Page Channel Setting Acquisition Request

After receiving the Operator Page Channel Setting Acquisition Request, the ATDM-1012 sends the Webremote Operator Page Channel settings to the host via Answer.

[1] Get Command

The command format of the Operator Page Channel Setting Acquisition Request from the host is shown below.

```
g_operator_channel_O_0000_00_NC_8,8_↓
```

Table 4-103 Command Format

No	item	Description	type	value	value description	remarks
1	Command	Command character string	string	g_operator_channel		
2	HandShake Select	Sequence execution method	string	O		
3	Model ID	Unused	string	0000	Unused	
4	Unit No	Unused	string	00	Unused	
5	Continue Select	Message division method	string	NC	No divided message	
6	Parameter	Parameter				
	Page	Page number	string	1 - 8	Page 1 - 8	
	Fader Channel	Fader channel number	string	1 - 8	Fader 1 - 8	
7	End Character	Termination character of a message	binary	0x0d	CR	

[2] Answer

The Answer command format from the ATDM-1012 is shown below.

```
g_operator_channel_0000_00_NC_8,8,1,"fader8-8",5,100,1,100,1,100_↓
```

Table 4-104 Answer Command Format

No	item	Description	type	value	value description	remarks
1	Command	Command character string	string	g_operator_channel		
2	Model ID	Unused	string	0000	Unused	
3	Unit No	Device ID	string	00 – FF	Device ID	
4	Continue Select	Message division method	string	NC	No divided message	
5	Parameter	Parameter				
	Page	Page number	string	1 - 8	Page 1 - 8	
	Fader Channel	Fader channel number	string	1 - 8	Fader 1 - 8	
	Name	Fader name	char	"	Beginning of	

No	item	Description	type	value	value description	remarks
					character string	
			string	ASCII code	Fader name	To contain double quotation marks ("), specify them in succession like "".
			char	"	End of character string	
	Icon	Fader icon	string	0	Mic	
				1	Aux	
				2	PC	
				3	Chat	
				4	Spk	
				5	Rec	
	Level	Level	string	0 - 100	0 to 100	1.0step
	Max Volume					
	Enable	On/Off	string	0	Off	
				1	On	
	Value	Volume	string	0 - 100	0 to 100	
	Min Volume					
	Enable	On/Off	string	0	Off	
				1	On	
	Value	Volume	string	0 - 100	0 to 100	
6	End Character	Termination character of a message	binary	0x0d	CR	

4.5.7 Operator Page Assign Channel Setting Change Request

After receiving the Operator Page Assign Channel Setting Change Request, the ATDM-1012 sends the processing results to the host via ACK or NAK.

[1] Set Command

The command format of the Operator Page Assign Channel Setting Change Request from the host is shown below.

s_operator_assign_S_0000_00_NC_8,8,1,1,1,1,1,1,1,1,1,1,,,1,1_↵

Table 4-105 Command Format

No	item	Description	type	value	value description	remarks
1	Command	Command character string	string	s_operator_assign		
2	HandShake Select	Sequence execution method	string	S		
3	Model ID	Unused	string	0000	Unused	
4	Unit No	Unused	string	00	Unused	
5	Continue Select	Message division method	string	NC	No divided message	
6	Parameter	Parameter				
	Page	Page number	string	1 - 8	Page 1 - 8	
	Fader Channel	Fader channel number	string	1 - 8	Fader 1 - 8	
	Channel Type	Channel type	string	0	Input	
				1	Output	
				2	Group	
	Show Mute	Mute button use existence	string	0	Off	
				1	On	
	Show Fader	Fader use existence	string	0	Off	
				1	On	
	Ch1	Input 1/Output 1/Group A	string	0	Off	
				1	On	
	Ch2	Input 2/Output 2/Group B				Same as Ch1
	Ch3	Input 3/Output 3/Group C				Same as Ch1
Ch4	Input 4/Output 4/Group D				Same as Ch1	
Ch5	Input 5/Output 5/Group E				Same as Ch1	
Ch6	Input 6/Output 6/Group F				Same as Ch1	
Ch7	Input 7/Output 7/Group H				Same as Ch1	

No	item	Description	type	value	value description	remarks
	Ch8	Input 8/Output 8/-				Same as Ch1
	Ch9	Input 9/Output ST1/-				Same as Ch1
	Ch10	Input 10/Output ST2/-				Same as Ch1
	ST1	Input ST1/-/-				Same as Ch1
	ST2	Input ST2/-/-				Same as Ch1
7	End Character	Termination character of a message	binary	0x0d	CR	

[2] ACK/NAK

See Factory Default Setting Request①(ア)[2].

4.5.8 Operator Page Assign Channel Setting Acquisition Request

After receiving the Operator Page Assign Channel Setting Acquisition Request, the ATDM-1012 sends the Webremote Operator Page Channel settings to the host via Answer.

[1] Get Command

The command format of the Operator Page Assign Channel Setting Acquisition Request from the host is shown below.

g_operator_assign_O_0000_00_NC_8,8_↓

Table 4-106 Command Format

No	item	Description	type	value	value description	remarks
1	Command	Command character string	string	g_operator_assign		
2	HandShake Select	Sequence execution method	string	O		
3	Model ID	Unused	string	0000	Unused	
4	Unit No	Unused	string	00	Unused	
5	Continue Select	Message division method	string	NC	No divided message	
6	Parameter	Parameter				
	Page	Page number	string	1 - 8	Page 1 - 8	
	Fader Channel	Fader channel number	string	1 - 8	Fader 1 - 8	
7	End Character	Termination character of a message	binary	0x0d	CR	

[2] Answer

The Answer command format from the ATDM-1012 is shown below.

g_operator_assign_0000_00_NC_8,8,1,1,1,1,1,1,1,1,1,1,1,1,,1,1_↓

Table 4-107 Answer Command Format

No	item	Description	type	value	value description	remarks
1	Command	Command character string	string	g_operator_assign		
2	Model ID	Unused	string	0000	Unused	
3	Unit No	Device ID	string	00 – FF	Device ID	
4	Continue Select	Message division method	string	NC	No divided message	
5	Parameter	Parameter				
	Page	Page number	string	1 - 8	Page 1 - 8	
	Fader Channel	Fader channel number	string	1 - 8	Fader 1 - 8	
	Channel Type	Channel type	string	0	Input	

No	item	Description	type	value	value description	remarks
				1	Output	
				2	Group	
	Show Mute	Mute button use existence	string	0	Off	
				1	On	
	Show Fader	Fader use existence	string	0	Off	
				1	On	
	Ch1	Input 1/Output 1/Group A	string	0	Off	
				1	On	
	Ch2	Input 2/Output 2/Group B				Same as Ch1
	Ch3	Input 3/Output 3/Group C				Same as Ch1
	Ch4	Input 4/Output 4/Group D				Same as Ch1
	Ch5	Input 5/Output 5/Group E				Same as Ch1
	Ch6	Input 6/Output 6/Group F				Same as Ch1
	Ch7	Input 7/Output 7/Group H				Same as Ch1
	Ch8	Input 8/Output 8/-				Same as Ch1
	Ch9	Input 9/Output ST1/-				Same as Ch1
	Ch10	Input 10/Output ST2/-				Same as Ch1
ST1	Input ST1/-/-				Same as Ch1	
ST2	Input ST2/-/-				Same as Ch1	
6	End Character	Termination character of a message	binary	0x0d	CR	

4.5.9 Operator Page Channel Mute Request

After receiving the Operator Page Channel Mute Request, the ATDM-1012 sends the processing results to the host via ACK or NAK.

[1] Set Command

The command format of the Operator Page Channel Mute Request from the host is shown below.

s_operator_mute_S_0000_00_NC_8,1,8_↵

Table 4-108 Command Format

No	item	Description	type	value	value description	remarks
1	Command	Command character string	string	s_operator_mute		
2	HandShake Select	Sequence execution method	string	S		
3	Model ID	Unused	string	0000	Unused	
4	Unit No	Unused	string	00	Unused	
5	Continue Select	Message division method	string	NC	No divided message	
6	Parameter	Parameter				
	Fader Channel	Fader channel number	string	1 - 8	Fader 1 - 8	
	Mute	Mute	string	0	No Mute	
				1	Mute	
Page	Page number	string	1 - 8	Page 1 - 8		
7	End Character	Termination character of a message	binary	0x0d	CR	

[2] ACK/NAK

See Factory Default Setting Request①(ア)[2].

4.5.10 Array Mic Mute Control Request

After receiving the Array Mic Mute Control Request, the ATDM-1012 sends the processing results to the host via ACK or NAK.

[1] Set Command

The command format of the Array Mic Mute Control Request from the host is shown below.

s_arraymic_mute_S_0000_00_NC_1,1_↓

Table 4-109 Command Format

No	item	Description	type	value	value description	remarks
1	Command	Command character string	string	s_arraymic_mute		
2	HandShake Select	Sequence execution method	string	S		
3	Model ID	Unused	string	0000	Unused	
4	Unit No	Unused	string	00	Unused	
5	Continue Select	Message division method	string	NC	No divided message	
6	Parameter	Parameter				
	Mute	Mute existence	string	0	No mute	
				1	Mute	
	Virtual Mic	Virtual Mic	string	0	Virtual Mic 1	
1				Virtual Mic 2		
7	End Character	Termination character of a message	binary	0x0d	CR	

[2] ACK/NAK

See Factory Default Setting Request[2].

4.5.11 Array Mic Mute Status Acquisition Request

After receiving the Array Mic Mute Status Acquisition Request, the ATDM-1012 sends the Array Mic Mute state to the host via Answer.

[1] Get Command

The command format of the Array Mic Mute Status Acquisition Request from the host is shown below

g_arraymic_mute_O_0000_00_NC_1_↓

Table 4-110 Command Format

No	item	Description	type	value	value description	remarks
1	Command	Command character string	string	g_arraymic_mute		
2	HandShake Select	Sequence execution method	string	O		
3	Model ID	Unused	string	0000	Unused	
4	Unit No	Unused	string	00	Unused	
5	Continue Select	Message division method	string	NC	No divided message	
6	Parameter	Parameter				
	Virtual Mic	Virtual Mic	string	0 1	Virtual Mic 1 Virtual Mic 2	
7	End Character	Termination character of a message	binary	0x0d	CR	

[2] Answer

The Answer command format from the ATDM-1012 is shown below

g_arraymic_mute_0000_00_NC_1,1_↓

Table 4-111 Answer Command Format

No	item	Description	type	value	value description	remarks
1	Command	Command character string	string	g_audio_system		
2	Model ID	Unused	string	0000	Unused	
3	Unit No	Device ID	string	00 – FF	Device ID	
4	Continue Select	Message division method	string	NC	No divided message	
5	Parameter	Parameter				
	Mute	Mute existence	string	0	No mute	
				1	Mute	
	Virtual Mic	Virtual Mic	string	0	Virtual Mic 1	
1				Virtual Mic 2		
6	End Character	Termination character of a message	binary	0x0d	CR	

4.6 System Command Details

4.6.1 Factory Default Setting Request

After receiving the Factory Default Setting Request, the ATDM-1012 sends the processing results to the host via ACK or NAK.

[1] Set Command

The command format of the Factory Default Setting Request from the host is shown below.

```
factory_settings_S_0000_00_NC_0_↵
```

Table 4-112 Command Format

No	item	Description	type	value	value description	remarks
1	Command	Command character string	string	factory_settings		
2	HandShake Select	Sequence execution method	string	S		
3	Model ID	Unused	string	0000	Unused	
4	Unit No	Unused	string	00	Unused	
5	Continue Select	Message division method	string	NC	No divided message	
6	Parameter	Parameter				
	Reset Item	Reset items				
	All Setting to Default.	All settings	string	0	All Reset	
7	End Character	Termination character of a message	binary	0x0d	CR	

[2] ACK/NAK

factory_settings_ACK_↓

Table 4-113 Command Format

No	item	Description	type	value	value description	remarks
1	Command	Command character string	string	factory_settings		Sets the received Set/Get command
2	ACK	ACK	string	ACK		
3	End Character	Termination character of a message	binary	0x0d	CR	

factory_settings_NAK_01_↓

Table 4-114 Command Format

No	item	Description	type	value	value description	remarks
1	Command	Command character string	string	factory_settings		Sets the received Set/Get command
2	NAK	NAK	string	NAK		
3	Error Code	Error code	string	00 - 99	Error code	See Chapter 2.2.4.
4	End Character	Termination character of a message	binary	0x0d	CR	

4.6.2 Permission Setting Change Request

After receiving the Permission Setting Change Request, the ATDM-1012 sends the processing results to the host via ACK or NAK.

[1] Set Command

The command format of the Permission Setting Change Request from the host is shown below.

s_permission_S_0000_00_NC_ "ATDM-1012",0,↵

Table 4-115 Command Format

No	item	Description	type	value	value description	remarks	
1	Command	Command character string	string	s_permission			
2	HandShake Select	Sequence execution method	string	S			
3	Model ID	Unused	string	0000	Unused		
4	Unit No	Unused	string	00	Unused		
5	Continue Select	Message division method	string	NC	No divided message		
6	Parameter	Parameter					
	Device Name	Device name	char	"	Beginning of character string		
			string	ASCII code	Device name	To contain double quotation marks ("), specify them in succession like "".	
			char	"	End of character string		
	Administrator						
	Password require	Password requirement at login	string	0	Password not required		
				1	Password required		
	password	Password	string	alphanumeric character		Changed to not specified on omitted.	
	(Reserve)						
	(Reserve)	(Reserve)	string	0	(Reserve)		
	(Reserve)	(Reserve)	string	0	(Reserve)		
	(Reserve)						
	(Reserve)	(Reserve)	string	0	(Reserve)		
	(Reserve)	(Reserve)	string	0	(Reserve)		
	(Reserve)	(Reserve)	string	0	(Reserve)		
(Reserve)	(Reserve)	string	0	(Reserve)			
(Reserve)	(Reserve)	string	0	(Reserve)			

No	item	Description	type	value	value description	remarks
	(Reserve)	(Reserve)	string	0	(Reserve)	
7	End Character	Termination character of a message	binary	0x0d	CR	

[2] ACK/NAK

See Factory Default Setting Request[2].

4.6.3 Permission Setting Acquisition Request

After receiving the Permission Setting Acquisition Request, the ATDM-1012 sends the permission settings to the host via Answer.

[1] Get Command

The command format of the Permission Setting Acquisition Request from the host is shown below.

g_permission_O_0000_00_NC_↵

Table 4-116 Command Format

No	item	Description	type	value	value description	remarks
1	Command	Command character string	string	g_permission		
2	HandShake Select	Sequence execution method	string	O		
3	Model ID	Unused	string	0000	Unused	
4	Unit No	Unused	string	00	Unused	
5	Continue Select	Message division method	string	NC	No divided message	
6	Parameter	Parameter	-	-	No parameter	
7	End Character	Termination character of a message	binary	0x0d	CR	

[2] Answer

The Answer command format from the ATDM-1012 is shown below.

g_permission_0000_00_NC_ "ATDM-1012",0,↓

Table 4-117 Answer Command Format

No	item	Description	type	value	value description	remarks	
1	Command	Command character	string	g_permission			
2	Model ID	Unused	string	0000	Unused		
3	Unit No	Device ID	string	00 – FF	Device ID		
4	Continue Select	Message division method	string	NC	No divided message		
5	Parameter	Parameter	string				
	Device Name	Device name	char	"	Beginning of character string		
			string	ASCII code	Device name	To contain double quotation marks ("), specify them in succession like "".	
			char	"	End of character string		
	Administrator						
	Password require	Password requirement at login	string	0	Password not required		
				1	Password required		
	password	Password	string	alphanumeric character		Changed to not specified on omitted.	
	(Reserve)						
	(Reserve)	(Reserve)	string	0	(Reserve)		
	(Reserve)	(Reserve)	string	0	(Reserve)		
	(Reserve)						
	(Reserve)	(Reserve)	string	0	(Reserve)		
	(Reserve)	(Reserve)	string	0	(Reserve)		
	(Reserve)	(Reserve)	string	0	(Reserve)		
	(Reserve)	(Reserve)	string	0	(Reserve)		
(Reserve)	(Reserve)	string	0	(Reserve)			
(Reserve)	(Reserve)	string	0	(Reserve)			
6	End Character	Termination character of a message	binary	0x0d	CR		

4.6.4 Network Setting Change Request

After receiving the Network Setting Change Request, the ATDM-1012 sends the processing results to the host via ACK or NAK.

If the network settings are changed, the ATDM-1012 needs to be rebooted.

[1] Set Command

The command format of the Network Setting Change Request from the host is shown below.

s_network_S_0000_00_NC_1,192.168.033.102,255.255.000.000,,1,17300,1,1,225.000.00.100,17000,0,,,,0,,,,

Table 4-118 Command Format

No	item	Description	type	value	value description	remarks
1	Command	Command character string	string	s_network		
2	HandShake Select	Sequence execution method	string	S		
3	Model ID	Unused	string	0000	Unused	
4	Unit No	Unused	string	00	Unused	
5	Continue Select	Message division method	string	NC	No divided message	
6	Parameter	Parameter				
	IP setting					
	IP config mode	IP address decision method	string	0 1	Auto Static	
	IP address	IP address	string	000.000.000.000 255.255.255.255	- IP address	
	Subnet mask	Subnet mask	string	000.000.000.000 255.255.255.255	- Subnet mask	
	Gateway address	Default gateway	string	000.000.000.000 255.255.255.255	- Default gateway	
	Allow Discovery	UPnP existence	string	0 1	Not detect Detect	
	IP control setting					
	Port Number	TCP/IP port number	string	1 - 65535	Port number	
	Notification	Information transmission existence	string	0 1	Not use Use	
	Audio Level Notification	Audio Level Information transmission existence	string	0	Not use	

No	item	Description	type	value	value description	remarks
				1	Use	
	Multicast address	Multicast group address	string	000.000.000.000 255.255.255.255	- IP address	
	Multicast port number	Multicast port number	string	1 - 65535	Port number	
	NTP setting					
	Enabled	NTP use	string	0 1	Not use Use	
	NTP server address	NTP server address	string	000.000.000.000 255.255.255.255	- IP address	
	NTP port number	NTP server port number	string	1 - 65535	Port number	
	Time Zone	Difference from GMT	string	-1200 - +1400	±HHMM (in units of 30 minutes)	
	Daylight saving time	Daylight saving time	string	0 1	Not use Use	
	Start Date	Start date of daylight saving time	string	01010000 - 12312300	MMDDHHmm (Units: 1 hour)	
	End Date	End date of daylight saving time	string	01010000 - 12312300	MMDDHHmm (Units: 1 hour)	
	(Reserve)					
	(Reserve)	(Reserve)	string	0	(Reserve)	
	(Reserve)	(Reserve)	string	0	(Reserve)	
7	End Character	Termination character of a message	binary	0x0d	CR	

[2] ACK/NAK

See Factory Default Setting Request[2].

4.6.5 Network Setting Acquisition Request

After receiving the Network Setting Acquisition Request, the ATDM-1012 sends the network settings to the host via Answer.

[1] Get Command

The command format of the Network Setting Acquisition Request from the host is shown below.

g_network_O_0000_00_NC_↓

Table 4-119 Command Format

No	item	Description	type	value	value description	remarks
1	Command	Command character string	string	g_network		
2	HandShake Select	Sequence execution method	string	O		
3	Model ID	Unused	string	0000	Unused	
4	Unit No	Unused	string	00	Unused	
5	Continue Select	Message division method	string	NC	No divided message	
6	Parameter	Parameter	-	-	No parameter	
7	End Character	Termination character of a message	binary	0x0d	CR	

[2] Answer

The Answer command format from the ATDM-1012 is shown below.

```
g_network_0000_00_NC_1,,,,0005CDC102FA,1,17300,1,1,225.000.000.100,17000,0,,,,0,,
```

```
,,_←
```

Table 4-120 Answer Command Format

No	item	Description	type	value	value description	remarks
1	Command	Command character string	string	s_network		
2	Model ID	Unused	string	0000	Unused	
3	Unit No	Device ID	string	00 – FF	Device ID	
4	Continue Select	Message division method	string	NC	No divided message	
5	Parameter	Parameter				
	IP setting					
	IP config mode	IP address decision method	string	0 1	Auto Static	
	IP address	IP address	string	000.000.000.000 - 255.255.255.255	IP address	
	Subnet mask	Subnet mask	string	000.000.000.000 - 255.255.255.255	Subnet mask	
	Gateway address	Default gateway	string	000.000.000.000 - 255.255.255.255	Default gateway	
	MAC address	MAC address	string	XXXXXXXXYYYYYY	MAC address	
	Allow Discovery	UPnP existence	string	0 1	Not detect Detect	
	IP control setting					
	Port Number	TCP/IP port number	string	1 - 65535	Port number	
	Notification	Information transmission existence	string	0	Not use	
				1	Use	
	Audio Level Notification	Audio Level Information transmission existence	string	0	Not use	
				1	Use	
	Multicast address	Multicast group address	string	000.000.000.000 - 255.255.255.255	IP address	
	Multicast port number	Multicast port number	string	1 - 65535	Port number	
	NTP setting					
	Enabled	NTP use	string	0	Not use	

No	item	Description	type	value	value description	remarks
				1	Use	
		NTP server address	string	000.000.000.000 255.255.255.255	- IP address	
		NTP port number	string	1 - 65535	Port number	
		Time Zone	string	-1200 - +1400	±HHMM (in units of 30 minutes)	
		Daylight saving time	string	0	Not use	
				1	Use	
		Start Date	string	01010000 - 12312300	MMDDHHmm (Units: 1 hour)	
		End Date	string	01010000 - 12312300	MMDDHHmm (Units: 1 hour)	
	(Reserve)					
		(Reserve)	string	0	(Reserve)	
		(Reserve)	string	0	(Reserve)	
6	End Character	Termination character of a message	binary	0x0d	CR	

4.6.6 Dante Setting Change Request

After receiving the Dante Setting Change Request, the ATDM-1012 sends the processing results to the host via ACK or NAK. If the Dante settings are changed, the ATDM-1012 needs to be rebooted.

[1] Set Command

The command format of the Dante Setting Change Request from the host is shown below.

```
s_network_dante_S_0000_00_NC_0,5,1,192.168.033.102,255.255.000.000,,,1,192.168.033.103,255.255.000.000,,↵
```

Table 4-121 Command Format

No	item	Description	type	value	value description	remarks		
1	Command	Command character string	string	s_network_dante				
2	HandShake Select	Sequence execution method	string	S				
3	Model ID	Unused	string	0000	Unused			
4	Unit No	Unused	string	00	Unused			
5	Continue Select	Message division method	string	NC	No divided message			
6	Parameter	Parameter						
		Network Configuration						
		Mode	Mode	string	0	Switched		
				1	Redundant Audio			
				2	Split			
		Latency	Latency	string	1	250usec		
					2	500usec		
					3	1msec		
					4	2msec		
					5	5msec		
		Port Setting/Primary	Primary settings					
		IP Config mode	IP address acquisition method	string	0	Auto		
					1	Static		
		IP address	IP address	string	000.000.000.000 255.255.255.255	- IP address		

No	item	Description	type	value	value description	remarks
		Subnet mask	string	000.000.000.000 255.255.255.255	- Subnet mask	
		Gateway address	string	000.000.000.000 255.255.255.255	- IP address	
		Reserved	string			
	Port Setting/Secondary	Secondary settings				Same as Primary
7	End Character	Termination character of a message	binary	0x0d	CR	

[2] ACK/NAK

See Factory Default Setting Request[2].

4.6.7 Dante Setting Acquisition Request

After receiving the Dante Setting Acquisition Request, the ATDM-1012 sends the network settings to the host via Answer.

[1] Get Command

The command format of the Dante Setting Acquisition Request from the host is shown below.

```
g_network_dante_O_0000_00_NC_↵
```

Table 4-122 Command Format

No	item	Description	type	value	value description	remarks
1	Command	Command character string	string	g_network_dante		
2	HandShake Select	Sequence execution method	string	O		
3	Model ID	Unused	string	0000	Unused	
4	Unit No	Unused	string	00	Unused	
5	Continue Select	Message division method	string	NC	No divided message	
6	Parameter	Parameter	-	-	No parameter	
7	End Character	Termination character of a message	binary	0x0d	CR	

[2] Answer

The Answer command format from the ATDM-1012 is shown below.

```
g_network_dante_0000_00_NC_0,5,1,192.168.033.102,255.255.000.000,,,1,192.168.033.103,255.255.000.000,,↵
```

Table 4-123 Command Format

No	item	Description	type	value	value description	remarks
1	Command	Command character string	string	g_network_dante		
2	Model ID	Unused	string	0000	Unused	
3	Unit No	Device ID	string	00 – FF	Device ID	
4	Continue Select	Message division method	string	NC	No divided message	
5	Parameter	Parameter				
	Network					

No	item	Description	type	value	value description	remarks
	Configuration					
	Mode	Mode	string	0	Switched	
				1	Redundant Audio	
				2	Split	
	Latency	Latency	string	1	250usec	
				2	500usec	
				3	1msec	
				4	2msec	
				5	5msec	
	Port Setting/Primary	Primary settings				
	IP Config mode	IP address acquisition method	string	0	Auto	
				1	Static	
	IP address	IP address	string	000.000.000.000 255.255.255.255	- IP address	
	Subnet mask	Subnet mask	string	000.000.000.000 255.255.255.255	- Subnet mask	
	Gateway address	Default gateway	string	000.000.000.000 255.255.255.255	- IP address	
	Reserved	Reserved	string			
	Port Setting/Secondary	Secondary settings				Same as Primary
6	End Character	Termination character of a message	binary	0x0d	CR	

4.6.8 Firmware Version Acquisition Request

After receiving the Firmware Version Acquisition Request, the ATDM-1012 sends the device firmware version to the host via Answer.

[1] Get Command

The command format of the Firmware Version Acquisition Request from the host is shown below.

```
g_firmware_version_O_0000_00_NC_↵
```

Table 4-124 Command Format

No	item	Description	type	value	value description	remarks
1	Command	Command character string	string	g_firmware_version		
2	HandShake Select	Sequence execution method	string	O		
3	Model ID	Unused	string	0000	Unused	
4	Unit No	Unused	string	00	Unused	
5	Continue Select	Message division method	string	NC	No divided message	
6	Parameter	Parameter	-	-	No parameter	
7	End Character	Termination character of a message	binary	0x0d	CR	

[2] Answer

The Answer command format from the ATDM-1012 is shown below.

```
g_firmware_version_0000_00_NC_01.00.00_↵
```

Table 4-125 Answer Command Format

No	item	Description	type	value	value description	remarks
1	Command	Command character string	string	g_firmware_version		
2	Model ID	Unused	string	0000	Unused	
3	Unit No	Device ID	string	00 – FF	Device ID	
4	Continue Select	Message division method	string	NC	No divided message	
5	Parameter	Parameter				
	version	Version	string	XX.XX.XX	Version	
6	End Character	Termination character of a message	binary	0x0d	CR	

4.6.9 Header Color Setting Change Request

After receiving the Header Color Setting Change Request, the ATDM-1012 sends the processing results to the host via ACK/NAK.

Also, if the AT-LINK Mode Setting is changed, the ATDM-1012 must be restarted.

[1] Get Command

The command format of the Header Color Setting Change Request from the host is shown below.

s_header_color_S_0000_00_NC_FFFFFFFF↵

Table 4-126 Command Format

No	item	Description	type	value	value description	remarks
1	Command	Command character string	string	s_header_color		
2	HandShake Select	Sequence execution method	string	S		
3	Model ID	Unused	string	0000	Unused	
4	Unit No	Unused	string	00	Unused	
5	Continue Select	Message division method	string	NC	No divided message	
6	Parameter Header Color	Parameter Header color	string	0	White	
				1	Green	
				2	Yellow	
				3	Orange	
				4	Purple	
				5	Blue	
				6	Cyan	
7	End Character	Termination character of a message	binary	0x0d	CR	

[2] ACK/NAK

See Factory Default Setting Request[2].

4.6.10 Header Color Setting Acquisition Request

After receiving the Header Color Setting Acquisition Request, the ATDM-1012 sends the header color settings to the host via Answer.

[1] Get Command

The command format of the Header Color Setting Acquisition Request from the host is shown below

g_header_color_O_0000_00_NC_↓

Table 4-127 Command Format

No	item	Description	type	value	value description	remarks
1	Command	Command character string	string	g_header_color		
2	HandShake Select	Sequence execution method	string	O		
3	Model ID	Unused	string	0000	Unused	
4	Unit No	Unused	string	00	Unused	
5	Continue Select	Message division method	string	NC	No divided message	
6	Parameter	Parameter	-	-	No parameter	
7	End Character	Termination character of a message	binary	0x0d	CR	

[2] Answer

The Answer command format from the ATDM-1012 is shown below

g_header_color_0000_00_NC_FFFFFFFF_↓

Table 4-128 Answer Command Format

No	item	Description	type	value	value description	remarks
1	Command	Command character string	string	g_header_color		
2	Model ID	Unused	string	0000	Unused	
3	Unit No	Device ID	string	00 – FF	Device ID	
4	Continue Select	Message division method	string	NC	No divided message	
5	Parameter	Header Color	string	0	White	
				1	Green	
				2	Yellow	
				3	Orange	
				4	Purple	

No	item	Description	type	value	value description	remarks
				5	Blue	
				6	Cyan	
6	End Character	Termination character of a message	binary	0x0d	CR	

4.6.11 AT-LINK Mode Setting Change Request

After receiving the AT-LINK Mode Setting Change Request, the ATDM-1012 sends the processing results to the host via ACK or NAK. Also, if the AT-LINK Mode Setting is changed, the ATDM-1012 must be restarted.

[1] Set Command

The command format of the AT-LINK Mode Setting Change Request from the host is shown below.

s_link_S_0000_00_NC_1_↵

Table 4-129 Command Format

No	item	Description	type	value	value description	remarks
1	Command	Command character string	string	s_link		
2	HandShake Select	Sequence execution method	string	S		
3	Model ID	Unused	string	0000	Unused	
4	Unit No	Unused	string	00	Unused	
5	Continue Select	Message division method	string	NC	No divided message	
6	Parameter	Parameter				
	AT-Link Mode	Audio Technica link mode	string	0 1	Extention Primary	
7	End Character	Termination character of a message	binary	0x0d	CR	

[2] ACK/NAK

See Factory Default Setting Request[2].

4.6.12 AT-LINK Mode Setting Acquisition Request

After receiving the AT-LINK Mode Setting Acquisition Request, the ATDM-1012 sends the AT Link settings to the host via Answer.

[1] Get Command

The command format of the AT-LINK Mode Setting Acquisition Request from the host is shown below

g_link_O_0000_00_NC_↵

Table 4-130 Command Format

No	item	Description	type	value	value description	remarks
1	Command	Command character string	string	g_link		
2	HandShake Select	Sequence execution method	string	O		
3	Model ID	Unused	string	0000	Unused	
4	Unit No	Unused	string	00	Unused	
5	Continue Select	Message division method	string	NC	No divided message	
6	Parameter	Parameter	-	-	No parameter	
7	End Character	Termination character of a message	binary	0x0d	CR	

[2] Answer

The Answer command format from the ATDM-1012 is shown below

g_link_0000_00_NC_1_↵

Table 4-131 Answer Command Format

No	item	Description	type	value	value description	remarks
1	Command	Command character string	string	g_link		
2	Model ID	Unused	string	0000	Unused	
3	Unit No	Device ID	string	00 – FF	Device ID	
4	Continue Select	Message division method	string	NC	No divided message	
5	Parameter	Parameter				
		AT-Link Mode	string	0	Extention	
				1	Primary	
6	End Character	Termination character of a message	binary	0x0d	CR	

4.6.13 AT-LINK Status Acquisition Request

After receiving the AT-LINK **Status Acquisition Request**, the ATDM-1012 sends the Extension information to the host via Answer.

[1] Get Command

The command format of the AT-LINK **Status Acquisition Request** from the host is shown below

g_link_extstatus_O_0000_00_NC_7_↵

Table 4-132 Command Format

No	item	Description	type	value	value description	remarks
1	Command	Command character string	string	g_link_extstatus		
2	HandShake Select	Sequence execution method	string	O		
3	Model ID	Unused	string	0000	Unused	
4	Unit No	Unused	string	00	Unused	
5	Continue Select	Message division method	string	NC	No divided message	
6	Parameter	Parameter				
	Extention	Extension number	string	1 - 7	Extension1 - Extension7	
7	End Character	Termination character of a message	binary	0x0d	CR	

[2] Answer

The Answer command format from the ATDM-1012 is shown below

g_link_extstatus_0000_00_NC_7,"ATDM-1012",00000001,01.00.00_↵

Table 4-133 Answer Command Format

No	item	Description	type	value	value description	remarks
1	Command	Command character string	string	g_link_extstatus		
2	Model ID	Unused	string	0000	Unused	
3	Unit No	Device ID	string	00 – FF	Device ID	
4	Continue Select	Message division method	string	NC	No divided message	
5	Parameter	Parameter				
	Extention	Extension number	string	1 - 7	Extension1 - Extension7	
	Device Name	Device name	char	"	Beginning of character string	
			string	ASCII code	Device name	To contain double quotation marks ("), specify them in succession like "".
			char	"	End of character string	
	Serial	Serial number	string	00000000 - 99999999	Serial number	
version	Version	string	XX.XX.XX	Version		
6	End Character	Termination character of a message	binary	0x0d	CR	

4.6.14 Connected Device Limit Setting Change Request

After receiving the Connected Device Limit Setting Change Request, the ATDM-1012 sends the processing results to the host via ACK or NAK.

[1] Set Command

The command format of the Connected Device Limit Setting Change Request from the host is shown below.

```
s_connected_limit_S_0000_00_NC_0,255.000.000.001,255.000.000.002,255.000.000.003,255.000.000.004,255.000.000.005_↵
```

Table 4-134 Command Format

No	item	Description	type	value	value description	remarks	
1	Command	Command character string	string	s_connected_limit			
2	HandShake Select	Sequence execution method	string	S			
3	Model ID	Unused	string	0000	Unused		
4	Unit No	Unused	string	00	Unused		
5	Continue Select	Message division method	string	NC	No divided message		
6	Parameter	Device Access permission					
		Restrict Access	Access permission	string	0	Not permit	
					1	Permit	
		Permission IP1	IP address 1 permitted	string	000.000.000.000 - 255.255.255.255	IP address 1 permitted	
		Permission IP2	IP address 2 permitted	string			Same as Permission IP1
		Permission IP3	IP address 3 permitted	string			Same as Permission IP1
		Permission IP4	IP address 4 permitted	string			Same as Permission IP1
		Permission IP5	IP address 5 permitted	string			Same as Permission IP1
7	End Character	Termination character of a message	binary	0x0d	CR		

[2] ACK/NAK

See Factory Default Setting Request[2].

4.6.15 Connected Device Limit Setting Acquisition Request

After receiving the Connected Device Limit Setting Acquisition Request, the ATDM-1012 sends the connected device restriction settings to the host via Answer.

[1] Get Command

The command format of the Connected Device Limit Setting Acquisition Request from the host is shown below

g_connected_limit_O_0000_00_NC_↵

Table 4-135 Command Format

No	item	Description	type	value	value description	remarks
1	Command	Command character string	string	g_connected_limit		
2	HandShake Select	Sequence execution method	string	O		
3	Model ID	Unused	string	0000	Unused	
4	Unit No	Unused	string	00	Unused	
5	Continue Select	Message division method	string	NC	No divided message	
6	Parameter	Parameter	-	-	No parameter	
7	End Character	Termination character of a message	binary	0x0d	CR	

[2] Answer

The Answer command format from the ATDM-1012 is shown below

```
g_connected_limit_0000_00_NC_0,255.000.000.001,255.000.000.002,255.000.000.003,255.000.000.004,255.000.000.005_↓
```

Table 4-136 Answer Command Format

No	item	Description	type	value	value description	remarks
1	Command	Command character string	string	g_connected_limit		
2	Model ID	Unused	string	0000	Unused	
3	Unit No	Device ID	string	00 – FF	Device ID	
4	Continue Select	Message division method	string	NC	No divided message	
5	Parameter	Parameter				
	Device Access permission					
	Restrict Access	Access permission	string	0	Not use	
				1	Use	
	Permission IP1	IP address 1 permitted	string	000.000.000.000 - 255.255.255.255	IP address 1 permitted	
	Permission IP2	IP address 2 permitted	string			Same as Permission IP1
	Permission IP3	IP address 3 permitted	string			Same as Permission IP1
	Permission IP4	IP address 4 permitted	string			Same as Permission IP1
Permission IP5	IP address 5 permitted	string			Same as Permission IP1	
6	End Character	Termination character of a message	binary	0x0d	CR	

4.6.16 Connected Device Operator Page Setting Change Request

After receiving the Connected Device Operator Page Setting Change Request, the ATDM-1012 sends the processing results to the host via ACK or NAK.

[1] Set Command

The command format of the Connected Device Operator Page Setting Change Request from the host is shown below.

s_connected_page_S_0000_00_NC_5,1,1,1,1,1,1,1,1_↓

Table 4-137 Command Format

No	item	Description	type	value	value description	remarks
1	Command	Command character string	string	s_connected_page		
2	HandShake Select	Sequence execution method	string	S		
3	Model ID	Unused	string	0000	Unused	
4	Unit No	Unused	string	00	Unused	
5	Continue Select	Message division method	string	NC	No divided message	
6	Parameter	Parameter				
	Permission IP No	Index of IP address permitted	string	1 - 5	Permission IP1 - 5	
	Operator Page					
	Page1	Operator page 1 access permission	string	0	Not permit	
				1	Permit	
	Page2	Operator page 2 access permission				Same as Page1
	Page3	Operator page 3 access permission				Same as Page1
	Page4	Operator page 4 access permission				Same as Page1
	Page5	Operator page 5 access permission				Same as Page1
	Page6	Operator page 6 access permission				Same as Page1
Page7	Operator page 7 access permission				Same as Page1	
Page8	Operator page 8 access permission				Same as Page1	
7	End Character	Termination character of a message	binary	0x0d	CR	

[2] ACK/NAK

See Factory Default Setting Request[2].

4.6.17 Connected Device Operator Page Setting Acquisition Request

After receiving the Connected Device Operator Page Setting Acquisition Request, the ATDM-1012 sends the connected device restriction settings to the host via Answer.

[1] Get Command

The command format of the Connected Device Operator Page Setting Acquisition Request from the host is shown below

g_connected_page_O_0000_00_NC_5_↵

Table 4-138 Command Format

No	item	Description	type	value	value description	remarks
1	Command	Command character string	string	g_connected_page		
2	HandShake Select	Sequence execution method	string	O		
3	Model ID	Unused	string	0000	Unused	
4	Unit No	Unused	string	00	Unused	
5	Continue Select	Message division method	string	NC	No divided message	
6	Parameter	Parameter				
	Permission IP No	Index of IP address permitted	string	1 - 5	Permission IP1 - 5	
7	End Character	Termination character of a message	binary	0x0d	CR	

[2] Answer

The Answer command format from the ATDM-1012 is shown below

g_connected_page_0000_00_NC_5,1,1,1,1,1,1,1,1,1_↵

Table 4-139 Answer Command Format

No	item	Description	type	value	value description	remarks
1	Command	Command character string	string	g_connected_page		
2	Model ID	Unused	string	0000	Unused	
3	Unit No	Device ID	string	00 – FF	Device ID	
4	Continue Select	Message division method	string	NC	No divided message	
5	Parameter	Parameter				
	Permission IP No	Index of IP address permitted	string	1 - 5	Permission IP1 - 5	
	Operator Page					
	Page1	Operator page 1 access permission	string	0	Not permit	
				1	Permit	
	Page2	Operator page 2 access permission				Same as Page1
	Page3	Operator page 3 access permission				Same as Page1
	Page4	Operator page 4 access permission				Same as Page1
	Page5	Operator page 5 access permission				Same as Page1
	Page6	Operator page 6 access permission				Same as Page1
Page7	Operator page 7 access permission				Same as Page1	
Page8	Operator page 8 access permission				Same as Page1	
6	End Character	Termination character of a message	binary	0x0d	CR	

4.6.18 Audio System Setting Change Request

After receiving the Audio System Setting Change Request, the ATDM-1012 sends the processing results to the host via ACK or NAK.

[1] Set Command

The command format of the Audio System Setting Change Request from the host is shown below.

s_audio_system_S_0000_00_NC_1,2,1,3_↵

Table 4-140 Command Format

No	item	Description	type	value	value description	remarks
1	Command	Command character string	string	s_audio_system		
2	HandShake Select	Sequence execution method	string	S		
3	Model ID	Unused	string	0000	Unused	
4	Unit No	Unused	string	00	Unused	
5	Continue Select	Message division method	string	NC	No divided message	
6	Parameter	Parameter				
	Gain Unit Type	Gain unit	string	0	dBu/dBV	
				1	dB	
	Delay Unit Type	Delay unit	string	0	ms	
				1	M	
				2	Ft	
	Input EQ/DYN	Input Channel EQ/Dyn display setting	string	0	EQ	
				1	Dyn	
	Virtual Mic Mode	Virtual Mic mode	string	0	Off	
				1	Virtual Mic 1	
2				Virtual Mic 2		
3				Virtual Mic 1 & Virtual Mic 2		
7	End Character	Termination character of a message	binary	0x0d	CR	

[2] ACK/NAK

See Factory Default Setting Request[2].

4.6.19 Audio System Setting Acquisition Request

After receiving the Audio System Setting Acquisition Request, the ATDM-1012 sends the Audio System settings to the host via Answer.

[1] Get Command

The command format of the Audio System Setting Acquisition Request from the host is shown below

g_audio_system_O_0000_00_NC_↵

Table 4-141 Command Format

No	item	Description	type	value	value description	remarks
1	Command	Command character string	string	g_audio_system		
2	HandShake Select	Sequence execution method	string	O		
3	Model ID	Unused	string	0000	Unused	
4	Unit No	Unused	string	00	Unused	
5	Continue Select	Message division method	string	NC	No divided message	
6	Parameter	Parameter	-	-	No parameter	
7	End Character	Termination character of a message	binary	0x0d	CR	

[2] Answer

The Answer command format from the ATDM-1012 is shown below

g_audio_system_0000_00_NC_1,2,1,3_↓

Table 4-142 Answer Command Format

No	item	Description	type	value	value description	remarks						
1	Command	Command character string	string	g_audio_system								
2	Model ID	Unused	string	0000	Unused							
3	Unit No	Device ID	string	00 – FF	Device ID							
4	Continue Select	Message division method	string	NC	No divided message							
5	Parameter	Parameter										
							Gain Unit Type	Gain unit	string	0	dBu/dBV	
										1	dB	
							Delay Unit Type	Delay unit	string	0	ms	
										1	M	
										2	Ft	
							Input EQ/DYN	Input Channel EQ/Dyn display setting	string	0	EQ	
										1	Dyn	
							Virtual Mic Mode	Virtual Mic mode	string	0	Off	
										1	Virtual Mic 1	
2	Virtual Mic 2											
3	Virtual Mic 1 & Virtual Mic 2											
6	End Character	Termination character of a message	binary	0x0d	CR							

4.6.20 Front Panel Setting Change Request

After receiving the Front Panel Setting Change Request, the ATDM-1012 sends the processing results to the host via ACK or NAK.

[1] Set Command

The command format of the Front Panel Setting Change Request from the host is shown below.

s_front_panel_S_0000_00_NC_1,1,1_↵

Table 4-143 Command Format

No	item	Description	type	value	value description	remarks
1	Command	Command character string	string	s_front_panel		
2	HandShake Select	Sequence execution method	string	S		
3	Model ID	Unused	string	0000	Unused	
4	Unit No	Unused	string	00	Unused	
5	Continue Select	Message division method	string	NC	No divided message	
6	Parameter	Parameter				
	Recall Preset	Preset call setting	string	0	Disable	
				1	Enable	
	LED Dimmer	LED dimmer setting	string	0	Disable	
				1	Enable	
	Error Notice	Error display setting	string	0	Not display	
1				Display		
7	End Character	Termination character of a message	binary	0x0d	CR	

[2] ACK/NAK

See Factory Default Setting Request[2].

4.6.21 Front Panel Setting Acquisition Request

After receiving the Front Panel Setting Acquisition Request, the ATDM-1012 sends the front panel control settings to the host via Answer.

[1] Get Command

The command format of the Front Panel Setting Acquisition Request from the host is shown below

g_front_panel_O_0000_00_NC_↵

Table 4-144 Command Format

No	item	Description	type	value	value description	remarks
1	Command	Command character string	string	g_front_panel		
2	HandShake Select	Sequence execution method	string	O		
3	Model ID	Unused	string	0000	Unused	
4	Unit No	Unused	string	00	Unused	
5	Continue Select	Message division method	string	NC	No divided message	
6	Parameter	Parameter	-	-	No parameter	
7	End Character	Termination character of a message	binary	0x0d	CR	

[2] Answer

The Answer command format from the ATDM-1012 is shown below

g_front_panel_0000_00_NC_1,1,1_↵

Table 4-145 Answer Command Format

No	item	Description	type	value	value description	remarks	
1	Command	Command character string	string	g_front_panel			
2	Model ID	Unused	string	0000	Unused		
3	Unit No	Device ID	string	00 – FF	Device ID		
4	Continue Select	Message division method	string	NC	No divided message		
5	Parameter	Parameter	string	0	Disable		
				1	Enable		
		LED Dimmer	LED dimmer setting	string	0	Disable	
					1	Enable	
		Error Notice	Error display setting	string	0	Not display	
					1	Display	
6	End Character	Termination character of a message	binary	0x0d	CR		

4.6.22 Front Panel Function Setting Change Request

After receiving the Front Panel Function Setting Change Request, the ATDM-1012 sends the processing results to the host via ACK or NAK.

[1] Set Command

The command format of the Front Panel Function Setting Change Request from the host is shown below.

s_front_panel_limit_S_0000_00_NC_1,1,9,1↵

Table 4-146 Command Format

No	item	Description	type	value	value description	remarks
1	Command	Command character string	string	s_front_panel_limit		
2	HandShake Select	Sequence execution method	string	S		
3	Model ID	Unused	string	0000	Unused	
4	Unit No	Unused	string	00	Unused	
5	Continue Select	Message division method	string	NC	No divided message	
6	Parameter	Parameter				
	Function	Function	string	0	Level	
				1	Mute	
	Target	Target	string	0	Input Channel	
				1	Output Channel	
	Channel Select	Channel select	string	0 - 9	Input Channel 1 - 10	When Target is 0
				10	Input ST1	
				11	Input ST2	
				0 - 7	Output Channel 1 - 8	When Target is 1
				8	Output ST1	
9	Output ST2					
Enable	Enable/Disable	string	0	Disable		
			1	Enable		
7	End Character	Termination character of a message	binary	0x0d	CR	

[2] ACK/NAK

See Factory Default Setting Request[2].

4.6.23 Front Panel Function Setting Acquisition Request

After receiving the Front Panel Function Setting Acquisition Request, the ATDM-1012 sends the front panel control settings to the host via Answer.

[1] Get Command

The command format of the Front Panel Function Setting Acquisition Request from the host is shown below

g_front_panel_limit_O_0000_00_NC_1,1,9↵

Table 4-147 Command Format

No	item	Description	type	value	value description	remarks
1	Command	Command character string	string	g_front_panel_limit		
2	HandShake Select	Sequence execution method	string	O		
3	Model ID	Unused	string	0000	Unused	
4	Unit No	Unused	string	00	Unused	
5	Continue Select	Message division method	string	NC	No divided message	
6	Parameter	Parameter	-	-	No parameter	
	Function	Function	string	0	Level	
				1	Mute	
	Target	Target	string	0	Input Channel	
				1	Output Channel	
	Channel Select	Channel select	string	0 - 9	Input Channel 1 - 10	When Target is 0
				10	Input ST1	
				11	Input ST2	
				0 - 7	Output Channel 1 - 8	When Target is 1
8				Output ST1		
9	Output ST2					
7	End Character	Termination character of a message	binary	0x0d	CR	

[2] Answer

The Answer command format from the ATDM-1012 is shown below

g_front_panel_limit_0000_00_NC_1,1,9,1

Table 4-148 Answer Command Format

No	item	Description	type	value	value description	remarks						
1	Command	Command character string	string	g_front_panel								
2	Model ID	Unused	string	0000	Unused							
3	Unit No	Device ID	string	00 – FF	Device ID							
4	Continue Select	Message division method	string	NC	No divided message							
5	Parameter	Parameter										
							Function	Function	string	0	Level	
										1	Mute	
							Target	Target	string	0	Input Channel	
										1	Output Channel	
							Channel Select	Channel select	string	0 - 9	Input Channel 1 - 10	When Target is 0
										10	Input ST1	
										11	Input ST2	
										0 - 7	Output Channel 1 - 8	When Target is 1
										8	Output ST1	
9	Output ST2											
Enable	Enable/Disable	string	0	Disable								
			1	Enable								
6	End Character	Termination character of a message	binary	0x0d	CR							

4.6.24 Log Setting Change Request

After receiving the Log Setting Change Request, the ATDM-1012 sends the processing results to the host via ACK or NAK.

[1] Set Command

The command format of the Log Setting Change Request from the host is shown below.

s_log_S_0000_00_NC_1,2_↵

Table 4-149 Command Format

No	item	Description	type	value	value description	remarks
1	Command	Command character string	string	s_log		
2	HandShake Select	Sequence execution method	string	S		
3	Model ID	Unused	string	0000	Unused	
4	Unit No	Unused	string	00	Unused	
5	Continue Select	Message division method	string	NC	No divided message	
6	Parameter	Parameter				
	Enabled	Log output	string	0	Disable	
				1	Enable	
	Output destination	Output destination	string	0	Internal	
2				Syslog		
7	End Character	Termination character of a message	binary	0x0d	CR	

[2] ACK/NAK

See Factory Default Setting Request[2].

4.6.25 Log Setting Acquisition Request

After receiving the Log Setting Acquisition Request, the ATDM-1012 sends the log settings to the host via Answer.

[1] Get Command

The command format of the Log Setting Acquisition Request from the host is shown below.

g_log_O_0000_00_NC_↵

Table 4-150 Command Format

No	item	Description	type	value	value description	remarks
1	Command	Command character string	string	g_log		
2	HandShake Select	Sequence execution method	string	O		
3	Model ID	Unused	string	0000	Unused	
4	Unit No	Unused	string	00	Unused	
5	Continue Select	Message division method	string	NC	No divided message	
6	Parameter	Parameter	-	-	No parameter	
7	End Character	Termination character of a message	binary	0x0d	CR	

[2] Answer

The Answer command format from the ATDM-1012 is shown below.

g_log_0000_00_NC_1,2_↵

Table 4-151 Answer Command Format

No	item	Description	type	value	value description	remarks
1	Command	Command character string	string	g_log		
2	Model ID	Unused	string	0000	Unused	
3	Unit No	Device ID	string	00 – FF	Device ID	
4	Continue Select	Message division method	string	NC	No divided message	
5	Parameter	Parameter	string	0	Disable	
				1	Enable	
				0	Internal	
					2	Syslog
6	End Character	Termination character of a message	binary	0x0d	CR	

4.6.26 Preset Call Request

After receiving the Preset Call Request, the ATDM-1012 sends the processing results to the host via ACK or NAK.

[1] Set Command

The command format of the Preset Call Request from the host is shown below.

```
call_preset_S_0000_00_NC_8_↵
```

Table 4-152 Command Format

No	item	Description	type	value	value description	remarks
1	Command	Command character string	string	call_preset		
2	HandShake Select	Sequence execution method	string	S		
3	Model ID	Unused	string	0000	Unused	
4	Unit No	Unused	string	00	Unused	
5	Continue Select	Message division method	string	NC	No divided message	
6	Parameter	Parameter				
	Bank Number	Bank number	string	1 - 8	Bank 1 - 8	
7	End Character	Termination character of a message	binary	0x0d	CR	

[2] ACK/NAK

See Factory Default Setting Request[2].

4.6.27 Preset Save Request

After receiving the Preset Save Request, the ATDM-1012 sends the processing results to the host via ACK or NAK.

[1] Set Command

The command format of the Preset Save Request from the host is shown below.

save_preset_ S_0000_00_NC_8_↵

Table 4-153 Command Format

No	item	Description	type	value	value description	remarks
1	Command	Command character string	string	save_preset		
2	HandShake Select	Sequence execution method	string	S		
3	Model ID	Unused	string	0000	Unused	
4	Unit No	Unused	string	00	Unused	
5	Continue Select	Message division method	string	NC	No divided message	
6	Parameter	Parameter				
	Bank Number	Bank number	string	1 - 8	Bank 1 - 8	
7	End Character	Termination character of a message	binary	0x0d	CR	

[2] ACK/NAK

See Factory Default Setting Request[2].

4.6.28 Preset Bank Name Change Request

After receiving the Preset Bank Name Change Request, the ATDM-1012 sends the processing results to the host via ACK or NAK.

[1] Set Command

The command format of the Preset Bank Name Change Request from the host is shown below.

s_name_bank_S_0000_00_NC_1,"preset 1"↵

Table 4-154 Command Format

No	item	Description	type	value	value description	remarks
1	Command	Command character string	string	s_name_bank		
2	HandShake Select	Sequence execution method	string	S		
3	Model ID	Unused	string	0000	Unused	
4	Unit No	Unused	string	00	Unused	
5	Continue Select	Message division method	string	NC	No divided message	
6	Parameter	Parameter				
	Bank Number	Bank number	string	1 - 8	Bank 1 - 8	
	Name	Bank name	char	"	Beginning of character string	
			string	ASCII code	Bank name	To contain double quotation marks ("), specify them in succession like "".
char	"	End of character string				
7	End Character	Termination character of a message	binary	0x0d	CR	

[2] ACK/NAK

See Factory Default Setting Request[2].

4.6.29 Preset Bank Name Acquisition Request

After receiving the Preset Bank Name Acquisition Request, the ATDM-1012 sends the Preset Bank Name Acquisition Request to the host via Answer.

[1] Get Command

The command format of the Preset Bank Name Acquisition Request from the host is shown below.

g_name_bank_O_0000_00_NC_↵

Table 4-155 Command Format

No	item	Description	type	value	value description	remarks
1	Command	Command character string	string	g_name_bank		
2	HandShake Select	Sequence execution method	string	O		
3	Model ID	Unused	string	0000	Unused	
4	Unit No	Unused	string	00	Unused	
5	Continue Select	Message division method	string	NC	No divided message	
6	Parameter	Parameter	-	-	No parameter	
7	End Character	Termination character of a message	binary	0x0d	CR	

[2] Answer

The Answer command format from the ATDM-1012 is shown below.

```
g_name_bank_0000_00_CS_1,"preset 1"
g_name_bank_0000_00_CM_2,"preset 2"
.
.
.
g_name_bank_0000_00_CM_7,"preset 7"
g_name_bank_0000_00_CE_8,"preset 8"
```

Table 4-156 Command Format

No	item	Description	type	value	value description	remarks
1	Command	Command character string	string	g_name_bank		
2	Model ID	Unused	string	0000	Unused	
3	Unit No	Device ID	string	1 - 8	Device ID	
4	Continue Select	Message division method	string	CS/CM/CE	Divided message	
5	Parameter	Parameter				
	Bank Number	Bank number	string	1 - 8	Bank 1 - 8	
	Name	Bank name	char	"	Beginning of character string	
			string	ASCII code	Bank name	To contain double quotation marks ("), specify them in succession like "".
char	"	End of character string				
6	End Character	Termination character of a message	binary	0x0d	CR	

4.6.30 Boot Up Preset Setting Change Request

After receiving the Boot Up Preset Setting Change Request, the ATDM-1012 sends the processing results to the host via ACK or NAK. The Boot Up Preset indicates the preset that is recalled at power-on.

[1] Set Command

The command format of the Boot Up Preset Setting Change Request from the host is shown below.

s_bootup_preset_S_0000_00_NC_0_↓

Table 4-157 Command Format

No	item	Description	type	value	value description	remarks
1	Command	Command character string	string	s_bootup_preset		
2	HandShake Select	Sequence execution method	string	S		
3	Model ID	Unused	string	0000	Unused	
4	Unit No	Unused	string	00	Unused	
5	Continue Select	Message division method	string	NC	No divided message	
6	Parameter	Parameter				
	Bank Number	Bank number	string	0 1 - 8	Not select Bank 1 - 8	
7	End Character	Termination character of a message	binary	0x0d	CR	

[2] ACK/NAK

See Factory Default Setting Request[2].

4.6.31 Boot Up Preset Setting Acquisition Request

After receiving the Boot Up Preset Setting Acquisition Request, the ATDM-1012 sends the log settings to the host via Answer. The Boot Up Preset indicates the preset that is recalled at power-on.

[1] Get Command

The command format of the Boot Up Preset Setting Acquisition Request from the host is shown below.

g_bootup_preset_O_0000_00_NC_↵

Table 4-158 Command Format

No	item	Description	type	value	value description	remarks
1	Command	Command character string	string	g_bootup_preset		
2	HandShake Select	Sequence execution method	string	O		
3	Model ID	Unused	string	0000	Unused	
4	Unit No	Unused	string	00	Unused	
5	Continue Select	Message division method	string	NC	No divided message	
6	Parameter	Parameter	-	-	No parameter	
7	End Character	Termination character of a message	binary	0x0d	CR	

[2] Answer

The Answer command format from the ATDM-1012 is shown below.

g_bootup_preset_0000_00_NC_0_↵

Table 4-159 Answer Command Format

No	item	Description	type	value	value description	remarks
1	Command	Command character string	string	g_bootup_preset		
2	Model ID	Unused	string	0000	Unused	
3	Unit No	Device ID	string	1 - 8	Device ID	
4	Continue Select	Message division method	string	NC	No divided message	
5	Parameter	Parameter				
			Bank Number	Bank number	string	0 1 - 8
6	End Character	Termination character of a message	binary	0x0d	CR	

4.6.32 Preset Common Setting Change Request

After receiving the Preset Common Setting Change Request, the ATDM-1012 sends the processing results to the host via ACK or NAK.

[1] Set Command

The command format of the Preset Common Setting Change Request from the host is shown below.

s_preset_general_S_0000_00_NC_1,1_↓

Table 4-160 Command Format

No	item	Description	type	value	value description	remarks
1	Command	Command character string	string	s_preset_general		
2	HandShake Select	Sequence execution method	string	S		
3	Model ID	Unused	string	0000	Unused	
4	Unit No	Unused	string	00	Unused	
5	Continue Select	Message division method	string	NC	No divided message	
6	Parameter	Parameter				
	Preset Recall Link	Preset interlock existence	string	0	Off	
				1	On	
	Tascam Preset Link	Preset interlock existence (Tascam)	string	0	Off	
1				On		
7	End Character	Termination character of a message	binary	0x0d	CR	

[2] ACK/NAK

See Factory Default Setting Request[2].

4.6.33 Preset Common Setting Acquisition Request

After receiving the Preset Common Setting Acquisition Request, the ATDM-1012 sends the log settings to the host via Answer.

[1] Get Command

The command format of the Preset Common Setting Acquisition Request from the host is shown below.

`g_preset_general_O_0000_00_NC_↵`

Table 4-161 Command Format

No	item	Description	type	value	value description	remarks
1	Command	Command character string	string	g_preset_general		
2	HandShake Select	Sequence execution method	string	O		
3	Model ID	Unused	string	0000	Unused	
4	Unit No	Unused	string	00	Unused	
5	Continue Select	Message division method	string	NC	No divided message	
6	Parameter	Parameter	-	-	No parameter	
7	End Character	Termination character of a message	binary	0x0d	CR	

[2] Answer

The Answer command format from the ATDM-1012 is shown below.

g_preset_general_0000_00_NC_1,1_↓

Table 4-162 Answer Command Format

No	item	Description	type	value	value description	remarks
1	Command	Command character string	string	g_bootup_preset		
2	Model ID	Unused	string	0000	Unused	
3	Unit No	Device ID	string	00 – FF	Device ID	
4	Continue Select	Message division method	string	NC	No divided message	
5	Parameter	Parameter	string	0	Off	
				1	On	
	Tascam Preset Link	Preset interlock existence (Tascam)	string	0	Off	
				1	On	
	6	End Character	Termination character of a message	binary	0x0d	CR

4.6.34 File Transfer Request

After receiving the File Transfer Request, the ATDM-1012 sends the processing results to the host via ACK or NAK.

[1] Set Command

The command format of the File Transfer Request from the host is shown below.

```
file_transfer_S_0000_00_CS_p1,00000400,1024,[binary data]↵
```

```
file_transfer_S_0000_00_CM_p1,00000800,1024,[binary data]↵
```

⋮

```
file_transfer_S_0000_00_CM_p1,00001000,1024,[binary data]↵
```

```
file_transfer_S_0000_00_CE_p1,00001400,256,[binary data]↵
```

Table 4-163 Command Format

No	item	Description	type	value	value description	remarks
1	Command	Command character string	string	file_transfer		
2	HandShake Select	Sequence execution method	string	S		
3	Model ID	Unused	string	0000	Unused	
4	Unit No	Unused	string	00	Unused	
5	Continue Select	Message division method	string	NC/CS/CM/CE	Divided message	
6	Parameter	Parameter				
	Kind	Transfer data type	string	See 6.6 Transfer data type.		
	File Offset	Offset	string	00000000 - FFFFFFFF	Specify the offset in the transfer file with HEX. Do not add "0x." A value obtained with ftell (FILE*)	
	Size	Size	string	0001 - 1024	Specify the number of bytes of transfer data with DEC.	
	Data	Transfer data	binary	-	Specify the transfer data with a binary number.	
7	End Character	Termination character of a message	binary	0x0d	CR	

[2] ACK/NAK

See Factory Default Setting Request[2].

4.6.35 File Transfer Cancel Request

After receiving the File Transfer Cancel Request, the ATDM-1012 sends the processing results to the host via ACK or NAK.

[1] Set Command

The command format of the File Transfer Cancel Request from the host is shown below.

file_transfer_cancel_S_0000_00_NC_p1_↓

Table 4-164 Command Format

No	item	Description	type	value	value description	remarks
1	Command	Command character string	string	file_transfer_cancel		
2	HandShake Select	Sequence execution method	string	S		
3	Model ID	Unused	string	0000	Unused	
4	Unit No	Unused	string	00	Unused	
5	Continue Select	Message division method	string	NC/CS/CM/CE	Divided message	
6	Parameter	Parameter				
	Kind	Transfer data type	string	See 6.6 Transfer data type.		
7	End Character	Termination character of a message	binary	0x0d	CR	

[2] ACK/NAK

See Factory Default Setting Request[2].

4.6.36 Export Request

After receiving the Export **Request**, the ATDM-1012 sends data specified by ACK or NAK to the host.

[1] Get Command

The command format of the Export **Request** from the host is shown below.

```
export_O_0000_00_NC_p1_↵
```

Table 4-165 Command Format

No	item	Description	type	value	value description	remarks
1	Command	Command character string	string	export		
2	HandShake Select	Sequence execution method	string	O		
3	Model ID	Unused	string	0000	Unused	
4	Unit No	Unused	string	00	Unused	
5	Continue Select	Message division method	string	NC	No divided message	
6	Parameter	Parameter				
	Kind	Transfer data type	string	See 6.6 Transfer data type.		
7	End Character	Termination character of a message	binary	0x0d	CR	

[2] Answer

The Answer command format from the ATDM-1012 is shown below.

```
export_0000_00_CS_p1,00000400,1024,[binary data]↵
export_0000_00_CM_p1,00000800,1024,[binary data]↵
.
.
export_0000_00_CM_p1,00001000,1024,[binary data]↵
export_0000_00_CE_p1,00001400,256,[binary data]↵
```

Table 4-166 Answer Command Format

No	item	Description	type	value	value description	remarks
1	Command	Command character string	string	export		
2	Model ID	Unused	string	0000	Unused	
3	Unit No	Device ID	string	1 - 8	Device ID	
4	Continue Select	Message division method	string	NC/CS/CM/CE	Divided message	
5	Parameter	Parameter				
	Kind	Transfer data type	string	See 6.6 Transfer data type.		
	File Offset	Offset	string	00000000 - FFFFFFFF	Specify the offset in the transfer file with HEX. Do not add "0x." A value obtained with ftell (FILE*)	
	Size	Size	string	0001 - 1024	Specify the number of bytes of transfer data with DEC.	
	Data	Transfer data	binary	-	Specify the transfer data with a binary number.	
6	End Character	Termination character of a message	binary	0x0d	CR	

4.6.37 Import Request

After receiving the Import **Request**, the ATDM-1012 sends the processing results to the host via ACK or NAK.

After Import **Request**, for the transfer data, the File **Transfer Request** command is used.

[1] Set Command

The command format of the Import **Request** from the host is shown below.

```
import_S_0000_00_NC_p1_↵
```

Table 4-167 Command Format

No	item	Description	type	value	value description	remarks
1	Command	Command character string	string	import		
2	HandShake Select	Sequence execution method	string	S		
3	Model ID	Unused	string	0000	Unused	
4	Unit No	Unused	string	00	Unused	
5	Continue Select	Message division method	string	NC	No divided message	
6	Parameter	Parameter				
	Kind	Transfer data type	string	See 6.6 Transfer data type.		
7	End Character	Termination character of a message	binary	0x0d	CR	

[2] ACK/NAK

See Factory Default Setting Request[2].

4.6.38 Level Meter Notification Interval Change Request

After receiving the Level Meter Notification Interval Change Request, the ATDM-1012 sends the processing results to the host via ACK or NAK.

[1] Get Command

The command format of the Level Meter Notification Interval Change Request from the host is shown below.

s_level_meter_interval_S_0000_00_NC_100_↵

Table 4-168 Command Format

No	item	Description	type	value	value description	remarks
1	Command	Command character string	string	s_level_meter_interval		
2	HandShake Select	Sequence execution method	string	S		
3	Model ID	Unused	string	0000	Unused	
4	Unit No	Unused	string	00	Unused	
5	Continue Select	Message division method	string	NC	No divided message	
6	Parameter	Parameter				
	Interval	Notification interval	string	100 -	msec	
7	End Character	Termination character of a message	binary	0x0d	CR	

[2] ACK/NAK

See Factory Default Setting Request[2].

4.6.39 Level Meter Notification Interval Setting Acquisition Request

After receiving the Level Meter Notification Interval Setting Acquisition Request, the ATDM-1012 sends the level meter settings to the host via Answer.

[1] Get Command

The command format of the Level Meter Notification Interval Setting Acquisition Request from the host is shown below.

g_level_meter_interval_O_0000_00_NC_0_↵

Table 4-169 Command Format

No	item	Description	type	value	value description	remarks
1	Command	Command string	string	g_level_meter_interval		
2	HandShake Select	Sequence execution method	string	O		
3	Model ID	Unused	string	0000	Unused	
4	Unit No	Unused	string	00	Unused	
5	Continue Select	Message division method	string	NC	No divided message	
6	Parameter	Parameter		-	-	No
7	End Character	Termination character of a message	binary	0x0d	CR	

[2] Answer

The Answer command format from the ATDM-1012 is shown below.

g_level_meter_interval_0000_00_NC_0,10_↵

Table 4-170 Answer Command Format

No	item	Description	type	value	value description	remarks
1	Command	Command character string	string	g_level_meter_interval		
2	Model ID	Unused	string	0000	Unused	
3	Unit No	Device ID	string	00 – FF	Device ID	
4	Continue Select	Message division method	string	NC	No divided message	
5	Parameter	Parameter				
	Interval	Notification interval	string	100 -	msec	
6	End Character	Termination character of a message	binary	0x0d	CR	

4.6.40 Level Meter Acquisition Request

After receiving the Level Meter Acquisition Request, the ATDM-1012 sends the level meter settings to the host via Answer.

[1] Get Command

The command format of the Level Meter Acquisition Request from the host is shown below.

g_level_meter_O_0000_00_NC_0_↵

Table 4-171 Command Format

No	item	Description	type	value	value description	remarks
1	Command	Command character string	string	g_level_meter		
2	HandShake Select	Sequence execution method	string	O		
3	Model ID	Unused	string	0000	Unused	
4	Unit No	Unused	string	00	Unused	
5	Continue Select	Message division method	string	NC	No divided message	
6	Parameter	Parameter				
	Monitor Point	Monitor point	string	0 - 41	Level 0 - Level 41	See 5.2.1.
7	End Character	Termination character of a message	binary	0x0d	CR	

[2] Answer

The Answer command format from the ATDM-1012 is shown below.

g_level_meter_0000_00_NC_0,10_↓

Table 4-172 Answer Command Format

No	item	Description	type	value	value description	remarks
1	Command	Command character string	string	g_level_meter		
2	Model ID	Unused	string	0000	Unused	
3	Unit No	Device ID	string	00 – FF	Device ID	
4	Continue Select	Message division method	string	NC	No divided message	
5	Parameter	Parameter				
	Monitor Point	Monitor point	string	0 - 41	Level 0 - Level 41	See 5.2.1.
	Level	Level	string	0 - 61	Level	The range depends on the monitor point
6	End Character	Termination character of a message	binary	0x0d	CR	

4.6.41 Identify Request

After receiving the Identify Request, the ATDM-1012 sends the processing results to the host via ACK or NAK.

[1] Set Command

The command format of the Identify Request from the host is shown below.

identify_S_0000_00_NC_↵

Table 4-173 Command Format

No	item	Description	type	value	value description	remarks
1	Command	Command character string	string	identify		
2	HandShake Select	Sequence execution method	string	S		
3	Model ID	Unused	string	0000	Unused	
4	Unit No	Unused	string	00	Unused	
5	Continue Select	Message division method	string	NC	No divided message	
6	Parameter	Parameter	-	-	No parameter	
7	End Character	Termination character of a message	binary	0x0d	CR	

[2] ACK/NAK

See Factory Default Setting Request[2].

4.6.42 Date Setting Request

After receiving the Date Setting Request, the ATDM-1012 sends the processing results to the host via ACK or NAK.

[1] Set Command

The command format of the Date Setting Request from the host is shown below.

s_date_S_0000_00_NC_20190711145000_↵

Table 4-174 Command Format

No	item	Description	type	value	value description	remarks
1	Command	Command character string	string	s_date		
2	HandShake Select	Sequence execution method	string	S		
3	Model ID	Unused	string	0000	Unused	
4	Unit No	Unused	string	00	Unused	
5	Continue Select	Message division method	string	NC	No divided message	
6	Parameter	Parameter				
	Timestamp	Timestamp	string	YYYYMMDDHHMMSS	Timestamp (four-digit year)	
7	End Character	Termination character of a message	binary	0x0d	CR	

[2] ACK/NAK

See Factory Default Setting Request[2].

4.6.43 Reboot Request

After receiving Reboot Request, the ATDM-1012 performs self-reboot.

[1] Set Command

The command format of the Reboot Request from the host is shown below.

```
reboot_S_0000_00_NC_↵
```

Table 4-175 Command Format

No	item	Description	type	value	value description	remarks
1	Command	Command character string	string	reboot		
2	HandShake Select	Sequence execution method	string	S		
3	Model ID	Unused	string	0000	Unused	
4	Unit No	Unused	string	00	Unused	
5	Continue Select	Message division method	string	NC	No divided message	
6	Parameter	Parameter	-	-	No parameter	
7	End Character	Termination character of a message	binary	0x0d	CR	

[2] ACK/NAK

See Factory Default Setting Request[2].

4.6.44 Device ID Acquisition Request

After receiving the Device ID Acquisition Request, the ATDM-1012 sends the header color settings to the host via Answer.

[1] Get Command

The command format of the Device ID Acquisition Request from the host is shown below

```
g_deviceid_O_0000_00_NC_↓
```

Table 4-176 Command Format

No	item	Description	type	value	value description	remarks
1	Command	Command character string	string	g_deviceid		
2	HandShake Select	Sequence execution method	string	O		
3	Model ID	Unused	string	0000	Unused	
4	Unit No	Unused	string	00	Unused	
5	Continue Select	Message division method	string	NC	No divided message	
6	Parameter	Parameter	-	-	No parameter	
7	End Character	Termination character of a message	binary	0x0d	CR	

[2] Answer

The Answer command format from the ATDM-1012 is shown below

```
g_deviceid_0000_00_NC_8_↓
```

Table 4-177 Answer Command Format

No	item	Description	type	value	value description	remarks
1	Command	Command character string	string	g_deviceid		
2	Model ID	Unused	string	0000	Unused	
3	Unit No	Device ID	string	00 – FF	Device ID	
4	Continue Select	Message division method	string	NC	No divided message	
5	Parameter	Parameter				
	Device ID	Device ID	string	00 – FF	Device ID	
6	End Character	Termination character of a message	binary	0x0d	CR	

4.6.45 Preset Number Acquisition Request

After receiving the Preset Number Acquisition Request, the ATDM-1012 sends the preset bank number to the host via Answer.

[1] Get Command

The command format of the Preset Number Acquisition Request from the host is shown below

g_preset_number _O_0000_00_NC_↓

Table 4-178 Command Format

No	item	Description	type	value	value description	remarks
1	Command	Command character string	string	g_preset_number		
2	HandShake Select	Sequence execution method	string	O		
3	Model ID	Unused	string	0000	Unused	
4	Unit No	Unused	string	00	Unused	
5	Continue Select	Message division method	string	NC	No divided message	
6	Parameter	Parameter	-	-	No parameter	
7	End Character	Termination character of a message	binary	0x0d	CR	

[2] Answer

The Answer command format from the ATDM-1012 is shown below

g_preset_number _0000_00_NC_8_↓

Table 4-179 Answer Command Format

No	item	Description	type	value	value description	remarks
1	Command	Command character string	string	g_preset_number		
2	Model ID	Unused	string	0000	Unused	
3	Unit No	Device ID	string	00 – FF	Device ID	
4	Continue Select	Message division method	string	NC	No divided message	
5	Parameter	Parameter				
	Bank Number	Bank number	string	00 – FF	Bank 1 - 8	
6	End Character	Termination character of a message	binary	0x0d	CR	

4.6.46 Partial Preset Call Request

After receiving the Partial Preset Call Request, the ATDM-1012 sends the processing results to the host via ACK or NAK.

[1] Set Command

The command format of the Partial Preset Call Request from the host is shown below.

call_partial_preset_S_0000_00_NC_8_↓

Table 4-180 Command Format

No	item	Description	type	value	value description	remarks
1	Command	Command character string	string	call_partial_preset		
2	HandShake Select	Sequence execution method	string	S		
3	Model ID	Unused	string	0000	Unused	
4	Unit No	Unused	string	00	Unused	
5	Continue Select	Message division method	string	NC	No divided message	
6	Parameter	Parameter				
	Partial Preset Number	Partial preset number	string	1 - 40	Partial preset number	
7	End Character	Termination character of a message	binary	0x0d	CR	

[2] ACK/NAK

See Factory Default Setting Request[2].

4.6.47 Partial Preset Number Acquisition Request

After receiving the Partial Preset Number Acquisition Request, the ATDM-1012 sends the partial preset number to the host via Answer.

[1] Get Command

The command format of the Partial Preset Number Acquisition Request from the host is shown below

g_partial_preset_number_0_0000_00_NC_↓

Table 4-181 Command Format

No	item	Description	type	value	value description	remarks
1	Command	Command character string	string	g_partial_preset_number		
2	HandShake Select	Sequence execution method	string	0		
3	Model ID	Unused	string	0000	Unused	
4	Unit No	Unused	string	00	Unused	
5	Continue Select	Message division method	string	NC	No divided message	
6	Parameter	Parameter	-	-	No parameter	
7	End Character	Termination character of a message	binary	0x0d	CR	

[2] Answer

The Answer command format from the ATDM-1012 is shown below

g_preset_number_0000_00_NC_1_↓

Table 4-182 Answer Command Format

No	item	Description	type	value	value description	remarks
1	Command	Command character string	string	g_partial_preset_number		
2	Model ID	Unused	string	0000	Unused	
3	Unit No	Device ID	string	00 – FF	Device ID	
4	Continue Select	Message division method	string	NC	No divided message	
5	Parameter	Parameter				
	Partial Preset Number	Partial preset number	string	1 - 40	Partial preset number	
6	End Character	Termination character of a message	binary	0x0d	CR	

5 UDP Communications

The information (status change notification) from the ATDM-1012 is sent via UDP protocol.

5.1 Communication Control

For details on the communication control flow, see Chapter 4.1.

5.1.1 Communication Start

The host registers groups to the multicast address.

Table 5-1 Communication Control Parameters

No	Name	Default Setting	Remarks
1.	IPAddress	225.000.000.100	Multicast address
2.	Port No	17000	

5.1.2 Control Sequence

5.1.2.1 Information

If the ATDM-1012 status changes, a status change notification is sent.

<Example> The sequence of conference status notification is shown below.

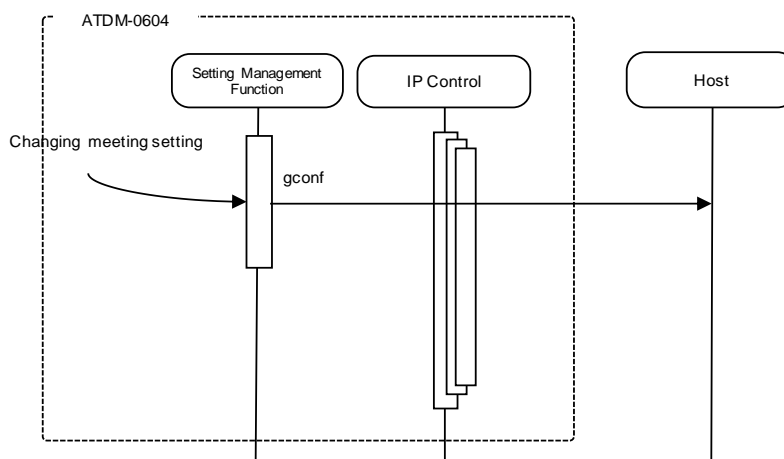


Figure 5-1 Information Command Processing Sequence

5.1.3 Communication Errors

For details on the sequence for transmission errors, see 4.1.3.1.

5.1.4 Communication End

The host can unregister groups at any timing.

No	item	Description	type	value	value description	remarks	
		Level 10	Input ST1	string	0 - 61	Level meter of Input ST1	
		Level 11	Input ST2	string	0 - 61	Level meter of Input ST2	
		Level 12	Output 1	string	0 - 61	Level meter of Output 1	
		Level 13	Output 2	string	0 - 61	Level meter of Output 2	
		Level 14	Output 3	string	0 - 61	Level meter of Output 3	
		Level 15	Output 4	string	0 - 61	Level meter of Output 4	
		Level 16	Output 5	string	0 - 61	Level meter of Output 5	
		Level 17	Output 6	string	0 - 61	Level meter of Output 6	
		Level 18	Output 7	string	0 - 61	Level meter of Output 7	
		Level 19	Output 8	string	0 - 61	Level meter of Output 8	
		Level 20	Output ST1	string	0 - 61	Level meter of Output ST1	
		Level 21	Output ST2	string	0 - 61	Level meter of Output ST2	
AEC(ERL) Meter							
		Level 22	Input 1	string	0 - 60	Level meter of Input 1	
		Level 23	Input 2	string	0 - 60	Level meter of Input 2	
		Level 24	Input 3	string	0 - 60	Level meter of Input 3	
		Level 25	Input 4	string	0 - 60	Level meter of Input 4	
		Level 26	Input 5	string	0 - 60	Level meter of Input 5	
		Level 27	Input 6	string	0 - 60	Level meter of Input 6	
		Level 28	Input 7	string	0 - 60	Level meter of Input 7	
		Level 29	Input 8	string	0 - 60	Level meter of Input 8	
		Level 30	Input 9	string	0 - 60	Level meter of Input 9	
		Level 31	Input 10	string	0 - 60	Level meter of Input 10	
Gainshare Meter							
		Level 32	Input 1	string	0 - 15	Level meter of Input 1	
		Level 33	Input 2	string	0 - 15	Level meter of Input 2	
		Level 34	Input 3	string	0 - 15	Level meter of Input 3	
		Level 35	Input 4	string	0 - 15	Level meter of Input 4	
		Level 36	Input 5	string	0 - 15	Level meter of Input 5	
		Level 37	Input 6	string	0 - 15	Level meter of Input 6	
		Level 38	Input 7	string	0 - 15	Level meter of Input 7	

No	item	Description	type	value	value description	remarks
	Level 39	Input 8	string	0 - 15	Level meter of Input 8	
	Level 40	Input 9	string	0 - 15	Level meter of Input 9	
	Level 41	Input 10	string	0 - 15	Level meter of Input 10	
7	End Character	Termination character of a message	binary	0x0d	CR	

5.2.2 Input Gain/Level Setting Notification

Input Gain/Level Setting Notification is sent when the ATDM-1012 changes the gain/level settings of the input channel. It is not sent when IP Control Setting Notification is 0 (not used) in the network setting.

MD_input_gain_level_notice_0000_00_NC_11,40,40,511,1↵

Table 5-3 Command Format

No	item	Description	type	value	value description	remarks	
1	Modify	MD	string	MD			
2	Command	Command character string	string	input_gain_level_notice			
3	Model ID	Unused	string	0000	Unused		
4	Unit No	Device ID	string	00 – FF	Device ID		
5	Continue Select	Message division method	string	NC	No divided message		
6	Parameter	Parameter					
	Input Channel Select	Input channel select	string	0 - 9	Input Channel 1 - 10		
				10	Input ST1		
				11	Input ST2		
	gain						
	Mic	Mic gain	string	0 - 40	+20db to +60db	See 6.5 Input Gain Table.	
	Level	Level	string	0 - 511	-120 to +10db	See 6.1 Fader Table.	
	Mute	Mute	string	0	Disable		
				1	Enable		
7	End Character	Termination character of a message	binary	0x0d	CR		

5.2.3 Output Level Setting Notification

Output Level Setting Notification is sent when the ATDM-1012 changes the level settings of the output channel.

It is not sent when IP Control Setting Notification is 0 (not used) in the network setting.

MD_output_level_notice_0000_00_NC_9,511_↵

Table 5-4 Command Format

No	item	Description	type	value	value description	remarks
1	Modify	MD	string	MD		
2	Command	Command character string	string	output_level_notice		
3	Model ID	Unused	string	0000	Unused	
4	Unit No	Device ID	string	00 – FF	Device ID	
5	Continue Select	Message division method	string	NC	No divided message	
6	Parameter	Parameter				
	Output Channel Select	Output channel select	string	0 - 7	Output Channel 1 - 8	
				8	Output ST1	
				9	Output ST2	
Level	Level	string	0 - 511	-120 to +10db	See 6.1 Fader Table.	
7	End Character	Termination character of a message	binary	0x0d	CR	

5.2.4 Output Channel Mute Setting Notification

Output Channel Mute Setting Notification is sent when the ATDM-1012 changes the mute settings of the output channel. It is not sent when IP Control Setting Notification is 0 (not used) in the network setting.

MD_output_mute_notice_0000_00_NC_9,1↵

Table 5-5 Command Format

No	item	Description	type	value	value description	remarks
1	Modify	MD	string	MD		
2	Command	Command character string	string	output_mute_notice		
3	Model ID	Unused	string	0000	Unused	
4	Unit No	Device ID	string	00 – FF	Device ID	
5	Continue Select	Message division method	string	NC	No divided message	
6	Parameter	Parameter	string	0 - 7	Output Channel 1 - 8	
				8	Output ST1	
				9	Output ST2	
	Mute	Mute	string	0	Disable	
				1	Enable	
7	End Character	Termination character of a message	binary	0x0d	CR	

5.2.5 Operator Page Channel Setting Notification

Operator Page Channel Setting Notification is sent when the ATDM-1012 changes the level settings of the page for an operator.

It is not sent when IP Control Setting Notification is 0 (not used) in the network setting.

MD_operator_channel_notice_0000_00_NC_8,100,1,8_↵

Table 5-6 Command Format

No	item	Description	type	value	value description	remarks
1	Modify	MD	string	MD		
2	Command	Command character string	string	operator_channel_notice		
3	Model ID	Unused	string	0000	Unused	
4	Unit No	Device ID	string	00 – FF	Device ID	
5	Continue Select	Message division method	string	NC	No divided message	
6	Parameter	Parameter				
	Fader Channel	Fader channel number	string	1 - 8	Fader 1 - 8	
	Level	Level	string	0 - 100	0 to 100	1.0step
	Mute	Mute	string	0 1	No Mute Mute	
7	End Character	Termination character of a message	binary	0x0d	CR	

5.2.6 Array Mic Mute Status Notification

Array Mic Mute Status Notification is sent when the ATDM-1012 changes the Mute state of Array Mic. It is not sent when IP Control Setting Notification is 0 (not used) in the network setting.

MD_arraymic_mute_notice_0000_00_NC_1,1_↓

Table 5-7 Command Format

No	item	Description	type	value	value description	remarks
1	Modify	MD	string	MD		
2	Command	Command character string	string	arraymic_mute_notice		
3	Model ID	Unused	string	0000	Unused	
4	Unit No	Device ID	string	00 – FF	Device ID	
5	Continue Select	Message division method	string	NC	No divided message	
6	Parameter	Parameter				
	Mute	Mute existence	string	0	No mute	
				1	Mute	
	Virtual Mic	Virtual Mic	string	0	Virtual Mic 1	
1				Virtual Mic 2		
7	End Character	Termination character of a message	binary	0x0d	CR	

5.2.7 Recording Status Notification

Recording Status Notification is sent when the ATDM-1012 changes the recording state. It is not sent when IP Control Setting Notification is 0 (not used) in the network setting.

MD_rec_status_notice_0000_00_NC_1

Table 5-8 Command Format

No	item	Description	type	value	value description	remarks
1	Modify	MD	string	MD		
2	Command	Command character string	string	rec_status_notice		
3	Model ID	Unused	string	0000	Unused	
4	Unit No	Device ID	string	00 – FF	Device ID	
5	Continue Select	Message division method	string	NC	No divided message	
6	Parameter Recorder Status	Parameter Recorder status	string	0	Stopped	
				1	Recording	
				2	Recording paused	
				3	Replaying	
				4	Replaying paused	
7	End Character	Termination character of a message	binary	0x0d	CR	

5.2.8 Preset Call Notification

Preset Call Notification is sent when the ATDM-1012 calls preset.

It is not sent when IP Control Setting Notification is 0 (not used) in the network setting.

MD recall_preset_notice_0000_00_NC_1_↵

Table 5-9 Command Format

No	item	Description	type	value	value description	remarks
1	Modify	MD	string	MD		
2	Command	Command character string	string	recall_preset_notice		
3	Model ID	Unused	string	0000	Unused	
4	Unit No	Device ID	string	00 – FF	Device ID	
5	Continue Select	Message division method	string	NC	No divided message	
6	Parameter	Parameter				
	Bank Number	Bank number	string	1 - 8	Bank 1 - 8	
7	End Character	Termination character of a message	binary	0x0d	CR	

5.2.9 Partial Preset Call Notification

Partial Preset Call Notification is sent when the ATDM-1012 calls partial preset.
It is not sent when IP Control Setting Notification is 0 (not used) in the network setting.

MD_recall_partial_preset_notice_0000_00_NC_1_1_↓

Table 5-10 Command Format

No	item	Description	type	value	value description	remarks
1	Modify	MD	string	MD		
2	Command	Command character string	string	recall_partial_preset_notice		
3	Model ID	Unused	string	0000	Unused	
4	Unit No	Device ID	string	00 – FF	Device ID	
5	Continue Select	Message division method	string	NC	No divided message	
6	Parameter	Parameter				
	Partial Preset Number	Partial preset number	string	1 - 40	Partial preset number	
7	End Character	Termination character of a message	binary	0x0d	CR	

5.2.10 Open Channel State Notification

When Smart Mix is set to Enable and the Active information is changed from the ATDM-1012, an Open Channel State Notification will be sent.
It is not sent when IP Control Setting Notification is 0 (not used) in the network setting.

MD_open_channel_notice_0000_00_NC_9,4,1_1_↓

Table 5-11 Command Format

No	item	Description	type	Value	value description	remarks
1	Modify	MD	string	MD		
2	Command	Command character string	string	open_channel_notice		
3	Model ID	Unused	string	0000	Unused	
4	Unit No	Device ID	string	00 - FF	Device ID	
5	Continue Select	Message division	string	NC	No divided message	

No	item	Description	type	Value	value description	remarks
		method				
6	Parameter	Parameter				
	Input Channel Select	Input channel select	string	0 - 9	Input Channel 1 - 10	
	Smart Mix Group	Smart Mix Group	string	1 - 4	SmartMix Group 1 - 4	
	Status	Open state	string	0	Close	
				1	Open	
7	End Character	Termination character of a message	binary	0x0d	CR	

5.2.11 Can Cut Setting Notification

When Smart Mix is set to Gate and the Priority and Can Cut information is changed from the ATDM-1012, a Can Cut Status Notification will be sent. It is not sent when IP Control Setting Notification is 0 (not used) in the network setting.

MD_cancut_notice_0000_00_NC_0,0,0,0,0,0,0,0,0,0,0_↓

Table 5-111 Command Format

No	item	Description	type	Value	value description	remarks
1	Modify	MD	string	MD		
2	Command	Command character string	string	cancut_notice		
3	Model ID	Unused	string	0000	Unused	
4	Unit No	Device ID	string	00 - FF	Device ID	
5	Continue Select	Message division method	string	NC	No divided message	
6	Parameter	Parameter				
	Input Channel 1	Input 1	string	0	Either Priority or Cancut is OFF	
				1	Both Priority and Cancut are ON	
	Input Channel 2	Input 2				Same as Input Channel 1
	Input Channel 3	Input 3				Same as Input Channel 1
	Input Channel 4	Input 4				Same as Input Channel 1

No	item	Description	type	Value	value description	remarks
	Input Channel 5	Input 5				Same as Input Channel 1
	Input Channel 6	Input 6				Same as Input Channel 1
	Input Channel 7	Input 7				Same as Input Channel 1
	Input Channel 8	Input 8				Same as Input Channel 1
	Input Channel 9	Input 9				Same as Input Channel 1
	Input Channel 10	Input 10				Same as Input Channel 1
7	End Character	Termination character of a message	binary	0x0d	CR	

5.2.12 FBS Notification

When howling is detected by FBS from the ATDM-1012, an FBS Notification will be sent. It is not sent when IP Control Setting Notification is 0 (not used) in the network setting.

MD_fbs_notice_0000_00_NC_0,0,0,0,0,0,0,0,0,0,0,0_↓

Table 5-13 Command Format

No	item	Description	type	value	value description	remarks
1	Modify	MD	string	MD		
2	Command	Command character string	string	fbs_notice		
3	Model ID	Unused	string	0000	Unused	
4	Unit No	Device ID	string	00 - FF	Device ID	
5	Continue Select	Message division method	string	NC	No divided message	
6	Parameter	Channel select	string	0 - 9	Input Channel 1 - 10	
				12 - 19	Output Channel 1 - 8	
				20	Output ST1	
				21	Output ST2	
	Processing Type	Processing type	string	0	Reset	
				1	All Static	
				2	Copy to EQ	Only Output Channel
				3	Band Setting	

No	item	Description	type	value	value description	remarks	
	Enable	Enable/Disable	string	0	Off		
				1	On		
	Band1						
	Static	Static select	string	0	Off		
				1	On(static)		
	Frequency	Frequency	string	0 - 480	20Hz - 20kHz	See 6.2 Frequency Table	
	Gain	Gain	string	0 - 72	-18 dB - +18 dB	See 6.4 EQ Gain Table	
	Q Value	Q value	string	0 - 31	0.3 - 60	See 6.3 Q Value Table	
	Band2						Same as Band1
	Band3						Same as Band1
	Band4						Same as Band1
	Band5						Same as Band1
	Band6						Same as Band1
	Band7						Same as Band1
Band8						Same as Band1	
7	End Character	Termination character of a message	binary	0x0d	CR		

6 Appendix

6.1 Fader Table

Value	Data[dB]	Value	Data[dB]	Value	Data[dB]	Value	Data[dB]	Value	Data[dB]	Value	Data[dB]	Value	Data[dB]	Value	Data[dB]
0	-Infinity	64	-63.5	128	-36.6	192	-23.8	256	-15.5	320	-9.1	384	-2.7	448	3.7
1	-120.0	65	-63.0	129	-36.4	193	-23.6	257	-15.4	321	-9.0	385	-2.6	449	3.8
2	-118.0	66	-62.5	130	-36.2	194	-23.4	258	-15.3	322	-8.9	386	-2.5	450	3.9
3	-116.0	67	-62.0	131	-36.0	195	-23.2	259	-15.2	323	-8.8	387	-2.4	451	4.0
4	-114.0	68	-61.5	132	-35.8	196	-23.0	260	-15.1	324	-8.7	388	-2.3	452	4.1
5	-112.0	69	-61.0	133	-35.6	197	-22.8	261	-15.0	325	-8.6	389	-2.2	453	4.2
6	-110.0	70	-60.5	134	-35.4	198	-22.6	262	-14.9	326	-8.5	390	-2.1	454	4.3
7	-108.0	71	-60.0	135	-35.2	199	-22.4	263	-14.8	327	-8.4	391	-2.0	455	4.4
8	-106.0	72	-59.5	136	-35.0	200	-22.2	264	-14.7	328	-8.3	392	-1.9	456	4.5
9	-104.0	73	-59.0	137	-34.8	201	-22.0	265	-14.6	329	-8.2	393	-1.8	457	4.6
10	-102.0	74	-58.5	138	-34.6	202	-21.8	266	-14.5	330	-8.1	394	-1.7	458	4.7
11	-100.0	75	-58.0	139	-34.4	203	-21.6	267	-14.4	331	-8.0	395	-1.6	459	4.8
12	-99.0	76	-57.5	140	-34.2	204	-21.4	268	-14.3	332	-7.9	396	-1.5	460	4.9
13	-98.0	77	-57.0	141	-34.0	205	-21.2	269	-14.2	333	-7.8	397	-1.4	461	5.0
14	-97.0	78	-56.5	142	-33.8	206	-21.0	270	-14.1	334	-7.7	398	-1.3	462	5.1
15	-96.0	79	-56.0	143	-33.6	207	-20.8	271	-14.0	335	-7.6	399	-1.2	463	5.2
16	-95.0	80	-55.5	144	-33.4	208	-20.6	272	-13.9	336	-7.5	400	-1.1	464	5.3
17	-94.0	81	-55.0	145	-33.2	209	-20.4	273	-13.8	337	-7.4	401	-1.0	465	5.4
18	-93.0	82	-54.5	146	-33.0	210	-20.2	274	-13.7	338	-7.3	402	-0.9	466	5.5
19	-92.0	83	-54.0	147	-32.8	211	-20.0	275	-13.6	339	-7.2	403	-0.8	467	5.6
20	-91.0	84	-53.5	148	-32.6	212	-19.9	276	-13.5	340	-7.1	404	-0.7	468	5.7
21	-90.0	85	-53.0	149	-32.4	213	-19.8	277	-13.4	341	-7.0	405	-0.6	469	5.8
22	-89.0	86	-52.5	150	-32.2	214	-19.7	278	-13.3	342	-6.9	406	-0.5	470	5.9
23	-88.0	87	-52.0	151	-32.0	215	-19.6	279	-13.2	343	-6.8	407	-0.4	471	6.0
24	-87.0	88	-51.5	152	-31.8	216	-19.5	280	-13.1	344	-6.7	408	-0.3	472	6.1
25	-86.0	89	-51.0	153	-31.6	217	-19.4	281	-13.0	345	-6.6	409	-0.2	473	6.2
26	-85.0	90	-50.5	154	-31.4	218	-19.3	282	-12.9	346	-6.5	410	-0.1	474	6.3
27	-84.0	91	-50.0	155	-31.2	219	-19.2	283	-12.8	347	-6.4	411	0.0	475	6.4
28	-83.0	92	-49.5	156	-31.0	220	-19.1	284	-12.7	348	-6.3	412	0.1	476	6.5
29	-82.0	93	-49.0	157	-30.8	221	-19.0	285	-12.6	349	-6.2	413	0.2	477	6.6
30	-81.0	94	-48.5	158	-30.6	222	-18.9	286	-12.5	350	-6.1	414	0.3	478	6.7
31	-80.0	95	-48.0	159	-30.4	223	-18.8	287	-12.4	351	-6.0	415	0.4	479	6.8
32	-79.5	96	-47.5	160	-30.2	224	-18.7	288	-12.3	352	-5.9	416	0.5	480	6.9
33	-79.0	97	-47.0	161	-30.0	225	-18.6	289	-12.2	353	-5.8	417	0.6	481	7.0
34	-78.5	98	-46.5	162	-29.8	226	-18.5	290	-12.1	354	-5.7	418	0.7	482	7.1
35	-78.0	99	-46.0	163	-29.6	227	-18.4	291	-12.0	355	-5.6	419	0.8	483	7.2
36	-77.5	100	-45.5	164	-29.4	228	-18.3	292	-11.9	356	-5.5	420	0.9	484	7.3
37	-77.0	101	-45.0	165	-29.2	229	-18.2	293	-11.8	357	-5.4	421	1.0	485	7.4
38	-76.5	102	-44.5	166	-29.0	230	-18.1	294	-11.7	358	-5.3	422	1.1	486	7.5
39	-76.0	103	-44.0	167	-28.8	231	-18.0	295	-11.6	359	-5.2	423	1.2	487	7.6
40	-75.5	104	-43.5	168	-28.6	232	-17.9	296	-11.5	360	-5.1	424	1.3	488	7.7
41	-75.0	105	-43.0	169	-28.4	233	-17.8	297	-11.4	361	-5.0	425	1.4	489	7.8
42	-74.5	106	-42.5	170	-28.2	234	-17.7	298	-11.3	362	-4.9	426	1.5	490	7.9
43	-74.0	107	-42.0	171	-28.0	235	-17.6	299	-11.2	363	-4.8	427	1.6	491	8.0
44	-73.5	108	-41.5	172	-27.8	236	-17.5	300	-11.1	364	-4.7	428	1.7	492	8.1
45	-73.0	109	-41.0	173	-27.6	237	-17.4	301	-11.0	365	-4.6	429	1.8	493	8.2
46	-72.5	110	-40.5	174	-27.4	238	-17.3	302	-10.9	366	-4.5	430	1.9	494	8.3
47	-72.0	111	-40.0	175	-27.2	239	-17.2	303	-10.8	367	-4.4	431	2.0	495	8.4
48	-71.5	112	-39.8	176	-27.0	240	-17.1	304	-10.7	368	-4.3	432	2.1	496	8.5
49	-71.0	113	-39.6	177	-26.8	241	-17.0	305	-10.6	369	-4.2	433	2.2	497	8.6
50	-70.5	114	-39.4	178	-26.6	242	-16.9	306	-10.5	370	-4.1	434	2.3	498	8.7
51	-70.0	115	-39.2	179	-26.4	243	-16.8	307	-10.4	371	-4.0	435	2.4	499	8.8
52	-69.5	116	-39.0	180	-26.2	244	-16.7	308	-10.3	372	-3.9	436	2.5	500	8.9
53	-69.0	117	-38.8	181	-26.0	245	-16.6	309	-10.2	373	-3.8	437	2.6	501	9.0
54	-68.5	118	-38.6	182	-25.8	246	-16.5	310	-10.1	374	-3.7	438	2.7	502	9.1
55	-68.0	119	-38.4	183	-25.6	247	-16.4	311	-10.0	375	-3.6	439	2.8	503	9.2
56	-67.5	120	-38.2	184	-25.4	248	-16.3	312	-9.9	376	-3.5	440	2.9	504	9.3
57	-67.0	121	-38.0	185	-25.2	249	-16.2	313	-9.8	377	-3.4	441	3.0	505	9.4
58	-66.5	122	-37.8	186	-25.0	250	-16.1	314	-9.7	378	-3.3	442	3.1	506	9.5
59	-66.0	123	-37.6	187	-24.8	251	-16.0	315	-9.6	379	-3.2	443	3.2	507	9.6
60	-65.5	124	-37.4	188	-24.6	252	-15.9	316	-9.5	380	-3.1	444	3.3	508	9.7
61	-65.0	125	-37.2	189	-24.4	253	-15.8	317	-9.4	381	-3.0	445	3.4	509	9.8
62	-64.5	126	-37.0	190	-24.2	254	-15.7	318	-9.3	382	-2.9	446	3.5	510	9.9
63	-64.0	127	-36.8	191	-24.0	255	-15.6	319	-9.2	383	-2.8	447	3.6	511	10.0

6.2 Frequency Table

value	Frequency [Hz]	Display	value	Frequency [Hz]	Display	value	Frequency [Hz]	Display	value	Frequency [Hz]	Display	value	Frequency [Hz]	Display	value	Frequency [Hz]	Display	value	Frequency [Hz]	Display
0	20	20.0 Hz	80	63	63.0 Hz	160	200	200 Hz	240	630	630 Hz	320	2000	2.00 kHz	400	6300	6.30 kHz			
1	20.3	20.3 Hz	81	64	64.0 Hz	161	203	203 Hz	241	642	642 Hz	321	2030	2.03 kHz	401	6420	6.42 kHz			
2	20.5	20.5 Hz	82	65	65.0 Hz	162	205	205 Hz	242	655	655 Hz	322	2050	2.05 kHz	402	6550	6.55 kHz			
3	20.7	20.7 Hz	83	67	67.0 Hz	163	207	207 Hz	243	667	667 Hz	323	2080	2.08 kHz	403	6670	6.67 kHz			
4	21	21.0 Hz	84	68	68.0 Hz	164	210	210 Hz	244	680	680 Hz	324	2100	2.10 kHz	404	6800	6.80 kHz			
5	21.3	21.3 Hz	85	68.5	68.5 Hz	165	213	213 Hz	245	687	687 Hz	325	2140	2.14 kHz	405	6880	6.88 kHz			
6	21.5	21.5 Hz	86	69	69.0 Hz	166	217	217 Hz	246	695	695 Hz	326	2170	2.17 kHz	406	6950	6.95 kHz			
7	21.7	21.7 Hz	87	70	70.0 Hz	167	220	220 Hz	247	703	703 Hz	327	2200	2.20 kHz	407	7030	7.03 kHz			
8	22	22.0 Hz	88	71	71.0 Hz	168	224	224 Hz	248	710	710 Hz	328	2240	2.24 kHz	408	7100	7.10 kHz			
9	22.5	22.5 Hz	89	72	72.0 Hz	169	228	228 Hz	249	722	722 Hz	329	2280	2.28 kHz	409	7220	7.22 kHz			
10	23	23.0 Hz	90	73	73.0 Hz	170	232	232 Hz	250	735	735 Hz	330	2320	2.32 kHz	410	7350	7.35 kHz			
11	23.5	23.5 Hz	91	75	75.0 Hz	171	236	236 Hz	251	747	747 Hz	331	2360	2.36 kHz	411	7470	7.47 kHz			
12	24	24.0 Hz	92	76	76.0 Hz	172	240	240 Hz	252	760	760 Hz	332	2400	2.40 kHz	412	7600	7.60 kHz			
13	24.2	24.2 Hz	93	77	77.0 Hz	173	242	242 Hz	253	770	770 Hz	333	2430	2.43 kHz	413	7700	7.70 kHz			
14	24.5	24.5 Hz	94	78	78.0 Hz	174	245	245 Hz	254	780	780 Hz	334	2450	2.45 kHz	414	7800	7.80 kHz			
15	24.7	24.7 Hz	95	79	79.0 Hz	175	247	247 Hz	255	790	790 Hz	335	2470	2.47 kHz	415	7900	7.90 kHz			
16	25	25.0 Hz	96	80	80.0 Hz	176	250	250 Hz	256	800	800 Hz	336	2500	2.50 kHz	416	8000	8.00 kHz			
17	25.5	25.5 Hz	97	81	81.0 Hz	177	255	255 Hz	257	812	812 Hz	337	2550	2.55 kHz	417	8120	8.12 kHz			
18	26	26.0 Hz	98	82	82.0 Hz	178	260	260 Hz	258	825	825 Hz	338	2600	2.60 kHz	418	8250	8.25 kHz			
19	26.5	26.5 Hz	99	83	83.0 Hz	179	265	265 Hz	259	837	837 Hz	339	2650	2.65 kHz	419	8370	8.37 kHz			
20	27	27.0 Hz	100	85	85.0 Hz	180	270	270 Hz	260	850	850 Hz	340	2700	2.70 kHz	420	8500	8.50 kHz			
21	27.2	27.2 Hz	101	86	86.0 Hz	181	272	272 Hz	261	862	862 Hz	341	2730	2.73 kHz	421	8620	8.62 kHz			
22	27.5	27.5 Hz	102	87	87.0 Hz	182	275	275 Hz	262	875	875 Hz	342	2750	2.75 kHz	422	8750	8.75 kHz			
23	27.7	27.7 Hz	103	89	89.0 Hz	183	278	278 Hz	263	887	887 Hz	343	2770	2.77 kHz	423	8870	8.87 kHz			
24	28	28.0 Hz	104	90	90.0 Hz	184	280	280 Hz	264	900	900 Hz	344	2800	2.80 kHz	424	9000	9.00 kHz			
25	28.5	28.5 Hz	105	92	92.0 Hz	185	285	285 Hz	265	915	915 Hz	345	2850	2.85 kHz	425	9150	9.15 kHz			
26	29	29.0 Hz	106	93	93.0 Hz	186	290	290 Hz	266	930	930 Hz	346	2900	2.90 kHz	426	9300	9.30 kHz			
27	29.5	29.5 Hz	107	95	95.0 Hz	187	295	295 Hz	267	945	945 Hz	347	2950	2.95 kHz	427	9450	9.45 kHz			
28	30	30.0 Hz	108	96	96.0 Hz	188	300	300 Hz	268	960	960 Hz	348	3000	3.00 kHz	428	9600	9.60 kHz			
29	30.5	30.5 Hz	109	97	97.0 Hz	189	304	304 Hz	269	970	970 Hz	349	3040	3.04 kHz	429	9700	9.70 kHz			
30	31	31.0 Hz	110	98	98.0 Hz	190	307	307 Hz	270	980	980 Hz	350	3070	3.07 kHz	430	9800	9.80 kHz			
31	31.2	31.2 Hz	111	99	99.0 Hz	191	311	311 Hz	271	990	990 Hz	351	3110	3.11 kHz	431	9900	9.90 kHz			
32	31.5	31.5 Hz	112	100	100 Hz	192	315	315 Hz	272	1000	1.00 kHz	352	3150	3.15 kHz	432	10000	10.0 kHz			
33	32	32.0 Hz	113	101	101 Hz	193	321	321 Hz	273	1010	1.01 kHz	353	3210	3.21 kHz	433	10100	10.1 kHz			
34	33	33.0 Hz	114	102	102 Hz	194	327	327 Hz	274	1020	1.02 kHz	354	3270	3.27 kHz	434	10300	10.3 kHz			
35	33.5	33.5 Hz	115	103	103 Hz	195	333	333 Hz	275	1030	1.03 kHz	355	3340	3.34 kHz	435	10400	10.4 kHz			
36	34	34.0 Hz	116	105	105 Hz	196	340	340 Hz	276	1050	1.05 kHz	356	3400	3.40 kHz	436	10500	10.5 kHz			
37	34.5	34.5 Hz	117	106	106 Hz	197	344	344 Hz	277	1070	1.07 kHz	357	3440	3.44 kHz	437	10700	10.7 kHz			
38	35	35.0 Hz	118	107	107 Hz	198	347	347 Hz	278	1080	1.08 kHz	358	3470	3.47 kHz	438	10900	10.9 kHz			
39	35.5	35.5 Hz	119	108	108 Hz	199	351	351 Hz	279	1100	1.10 kHz	359	3510	3.51 kHz	439	11100	11.1 kHz			
40	36	36.0 Hz	120	110	110 Hz	200	355	355 Hz	280	1120	1.12 kHz	360	3550	3.55 kHz	440	11200	11.2 kHz			
41	36.5	36.5 Hz	121	112	112 Hz	201	361	361 Hz	281	1140	1.14 kHz	361	3610	3.61 kHz	441	11400	11.4 kHz			
42	37	37.0 Hz	122	115	115 Hz	202	367	367 Hz	282	1160	1.16 kHz	362	3670	3.67 kHz	442	11600	11.6 kHz			
43	37.5	37.5 Hz	123	118	118 Hz	203	374	374 Hz	283	1180	1.18 kHz	363	3750	3.75 kHz	443	11800	11.8 kHz			
44	38	38.0 Hz	124	120	120 Hz	204	380	380 Hz	284	1200	1.20 kHz	364	3800	3.80 kHz	444	12000	12.0 kHz			
45	38.5	38.5 Hz	125	121	121 Hz	205	385	385 Hz	285	1210	1.21 kHz	365	3850	3.85 kHz	445	12200	12.2 kHz			
46	39	39.0 Hz	126	122	122 Hz	206	390	390 Hz	286	1220	1.22 kHz	366	3900	3.90 kHz	446	12300	12.3 kHz			
47	39.5	39.5 Hz	127	123	123 Hz	207	395	395 Hz	287	1240	1.24 kHz	367	3950	3.95 kHz	447	12400	12.4 kHz			
48	40	40.0 Hz	128	125	125 Hz	208	400	400 Hz	288	1250	1.25 kHz	368	4000	4.00 kHz	448	12500	12.5 kHz			
49	40.5	40.5 Hz	129	127	127 Hz	209	408	408 Hz	289	1280	1.28 kHz	369	4070	4.07 kHz	449	12800	12.8 kHz			
50	41	41.0 Hz	130	130	130 Hz	210	415	415 Hz	290	1300	1.30 kHz	370	4150	4.15 kHz	450	13000	13.0 kHz			
51	42	42.0 Hz	131	133	133 Hz	211	422	422 Hz	291	1330	1.33 kHz	371	4220	4.22 kHz	451	13300	13.3 kHz			
52	43	43.0 Hz	132	136	136 Hz	212	430	430 Hz	292	1360	1.36 kHz	372	4300	4.30 kHz	452	13600	13.6 kHz			
53	43.5	43.5 Hz	133	137	137 Hz	213	435	435 Hz	293	1370	1.37 kHz	373	4350	4.35 kHz	453	13700	13.7 kHz			
54	44	44.0 Hz	134	138	138 Hz	214	440	440 Hz	294	1380	1.38 kHz	374	4400	4.40 kHz	454	13800	13.8 kHz			
55	44.5	44.5 Hz	135	139	139 Hz	215	445	445 Hz	295	1390	1.39 kHz	375	4450	4.45 kHz	455	13900	13.9 kHz			
56	45	45.0 Hz	136	140	140 Hz	216	450	450 Hz	296	1400	1.40 kHz	376	4500	4.50 kHz	456	14000	14.0 kHz			
57	45.5	45.5 Hz	137	143	143 Hz	217	457	457 Hz	297	1430	1.43 kHz	377	4570	4.57 kHz	457	14300	14.3 kHz			
58	46	46.0 Hz	138	146	146 Hz	218	465	465 Hz	298	1460	1.46 kHz	378	4650	4.65 kHz	458	14600	14.6 kHz			
59	47	47.0 Hz	139	149	149 Hz	219	472	472 Hz	299	1490	1.49 kHz	379	4730	4.73 kHz	459	14900	14.9 kHz			
60	48	48.0 Hz	140	152	152 Hz	220	480	480 Hz	300	1520	1.52 kHz	380	4800	4.80 kHz	460	15200	15.2 kHz			
61	48.5	48.5 Hz	141	154	154 Hz	221	485	485 Hz	301	1540	1.54 kHz	381	4850	4.85 kHz	461	15400	15.4 kHz			
62	49	49.0 Hz	142	156	156 Hz	222	490	490 Hz	302	1560	1.56 kHz	382	4900	4.90 kHz	462	15600	15.6 kHz			
63	49.5	49.5 Hz	143	158	158 Hz	223	495	495 Hz	303	1580	1.58 kHz	383	4950	4.95 kHz	463	15800	15.8 kHz			
64	50	50.0 Hz	144	160	160 Hz	224	500	500 Hz	304	1600	1.60 kHz	384	5000	5.00 kHz	464	16000	16.0 kHz			
65	50.5	50.5 Hz	145	162	162 Hz	225	507	507 Hz	305	1630	1.63 kHz	385	5080	5.08 kHz	465	16300	16.3 kHz			
66	51	51.0 Hz	146	165	165 Hz	226	515	515 Hz	306	1650	1.65 kHz	386	5150	5.15 kHz	466	16500	16.5 kHz			
67	52	52.0 Hz	147	167	167 Hz	227	522	522 Hz	307	1680	1.68 kHz	387	5220	5.22 kHz	467	16800	16.8 kHz			
68	53	53.0 Hz	148	170	170 Hz	228	530	530 Hz	308	1700	1.70 kHz	388	5300	5.30 kHz	468	17000	17.0 kHz			
69	53.5	53.5 Hz	149	172	172 Hz	229	538	538 Hz	309	1730	1.73 kHz	389	5380	5.38 kHz	469	17300	17.3 kHz			
70	54	54.0 Hz	150	175	175 Hz	230	545	545 Hz	310	175										

6.3 Q Value Table

#	Quality
0	0.3
1	0.35
2	0.41
3	0.47
4	0.55
5	0.64
6	0.75
7	0.87
8	1
9	1.2
10	1.4
11	1.6
12	1.9
13	2.2
14	2.5
15	3
16	3.5
17	4
18	4.5
19	5
20	6
21	7
22	8.4
23	10
24	12
25	14
26	16
27	19
28	22
29	25
30	30
31	60

6.4 EQ Gain Table

#	Gain	#	Gain	#	Gain
0	-18	25	-5.5	50	7
1	-17.5	26	-5	51	7.5
2	-17	27	-4.5	52	8
3	-16.5	28	-4	53	8.5
4	-16	29	-3.5	54	9
5	-15.5	30	-3	55	9.5
6	-15	31	-2.5	56	10
7	-14.5	32	-2	57	10.5
8	-14	33	-1.5	58	11
9	-13.5	34	-1	59	11.5
10	-13	35	-0.5	60	12
11	-12.5	36	0	61	12.5
12	-12	37	0.5	62	13
13	-11.5	38	1	63	13.5
14	-11	39	1.5	64	14
15	-10.5	40	2	65	14.5
16	-10	41	2.5	66	15
17	-9.5	42	3	67	15.5
18	-9	43	3.5	68	16
19	-8.5	44	4	69	16.5
20	-8	45	4.5	70	17
21	-7.5	46	5	71	17.5
22	-7	47	5.5	72	18
23	-6.5	48	6		
24	-6	49	6.5		

6.5 Input Gain Table

Value	Mic [dB]	Line [dB]	AUX [dB]	Value	Mic [dB]	Line [dB]	AUX [dB]
0	20	20	-30	21	41	41	-9
1	21	21	-29	22	42	42	-8
2	22	22	-28	23	43	43	-7
3	23	23	-27	24	44	44	-6
4	24	24	-26	25	45	45	-5
5	25	25	-25	26	46	46	-4
6	26	26	-24	27	47	47	-3
7	27	27	-23	28	48	48	-2
8	28	28	-22	29	49	49	-1
9	29	29	-21	30	50	50	0
10	30	30	-20	31	51	51	1
11	31	31	-19	32	52	52	2
12	32	32	-18	33	53	53	3
13	33	33	-17	34	54	54	4
14	34	34	-16	35	55	55	5
15	35	35	-15	36	56	56	6
16	36	36	-14	37	57	57	7
17	37	37	-13	38	58	58	8
18	38	38	-12	39	59	59	9
19	39	39	-11	40	60	60	10
20	40	40	-10				

6.6 Transfer data type

No	Item	Description	Type	Value	Value Description	Remarks
1	kind	Transfer data type	string	p1 to p8	Preset 1 to 6	
2				i1 to i20	4Band PEQ	Input (4Band PEQ)
3				iall	All 4Band PEQ	
4				o1 to o20	12Band PEQ	Output (12Band PEQ)
5				oall	All 12Band PEQ	
6				l1 to l2	Language file 1 to 2	
7				log	Logging file	