

SMART-WAY STICK

Power Anywhere, Anytime

FSR

Power Products Group

SMART-WAY STICK



2019 NECA
**Show
Stopper**



Patent Pending.

DESCRIPTION

The Smart-Way STICK is the smart way to get power and data on the floor where you need it. The Smart-Way STICK gives you the capabilities for power in a complete wired unit or power and data with our 321 Snap Stick model. All models give you the ability to have access to power anywhere, anytime within seconds.

The 6 ft. Smart-Way STICK model is offered as a “two pack” or individually. The 6’ units are fully assembled and prewired. Two black decora 15A duplex AC Power outlets and a 9ft. power cord are included.

Simply place the durable anodized aluminum or slate-gray powder coat paint raceway on top of any floor surface and plug the cord into an available outlet. Locate the receptacle unit where you need it in the room and you’re all set.

The two 321 Snap Stick models give the convenience of creating specific raceway lengths in the field, giving you the option to assemble a 3’, 4’, 5’, or 6’ long Stick. Models complete with either Dual duplex power out-



Perfect for offices, conference rooms, collaborative work environments, classrooms, or any where accessibility to power and data is needed.

lets or one duplex power outlet / one decora data brush plate are offered. The 321 device box is now available with Dual USB Charger Duplex Receptacle. AC outlets, decora data brush plate, and power cord are black. Wiring clips are included to keep wires running through the track in place. Some assembly is required.

The Smart-Way STICK gives you the design aesthetic, plus flexibility, to provide connectivity when needed to support a changing work environment.

FEATURES

- Place on top of any flooring for all-in-one power or data
- Sold as a 6’ section or available in our 321 Snap Stick option
- ADA-compliant profile
- Circuit breaker protected
- Includes 9’ AC power cord with plug
- Available with a 15’ AC cord in our 321 option
- Device box options provide power, communication, A/V connectivity and USB charging Ports
- Plug it in and you’re all ready to go

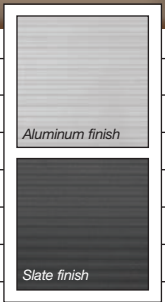
FSR Inc.

244 Bergen Boulevard, Woodland Park, NJ 07424
Phone: 973.785.4347 · Fax: 973.785.4207
Web: www.fsrinc.com · E-mail: sales@fsrinc.com

LIT1761C

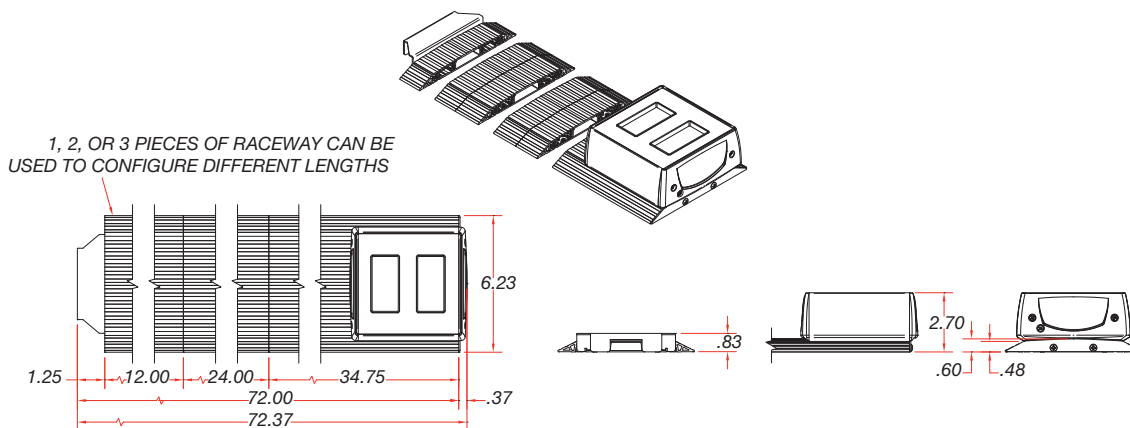
ORDERING TABLE

18223	SW-STK-2P-ALM-2PK	2 Fully Assembled 6' Sticks with 2 Duplex Power, Aluminum
18224	SW-STK-2P-SLT-2PK	2 Fully Assembled 6' Sticks with 2 Duplex Power, Slate
18225	SW-STK-2P-ALM Stick	6' Stick 2 Duplex Power, Aluminum
18226	SW-STK-2P-SLT Stick	6' Stick 2 Duplex Power, Slate
18259	SW-321STK-1P1D-ALM	3' - 6' Snap Stick with 1 Duplex Power and 1 Data Passage, Aluminum
18260	SW-321STK-1P1D-SLT	3' - 6' Snap Stick with 1 Duplex Power and 1 Data Passage, Slate
18263	SW-321STK-2P-ALM	3' - 6' Snap Stick with 2 Duplex Power, Aluminum
18264	SW-321STK-2P-SLT	3' - 6' Snap Stick with 2 Duplex Power, Slate
18312	SW-321STK-1P1D15-ALM	Stick 2 Gang 1 Power 1 Data (3' to 6' Plus) 15' Cord - Aluminum
18311	SW-321STK-1P1D15-SLT	Stick 2 Gang 1 Power 1 Data (3' to 6' Plus) 15' Cord - Slate
18310	SW-321STK-2P15-ALM	Stick 2 Gang 2 Power (3' to 6' Plus) 15' Cord - Aluminum
18309	SW-321STK-2P15-SLT	Stick 2 Gang 2 Power (3' to 6' Plus) 15' Cord - Slate
18314	SW-321STK-2PUSB-ALM	Stick 2 Gang 2 Power 2 USB 5A "C" and "A" Ports (3' to 6') - Aluminum
18313	SW-321STK-2PUSB-SLT	Stick 2 Gang 2 Power 2 USB 5A "C" and "A" Ports (3' to 6') - Slate
18316	SW-321STK-2PUSB15-ALM	Stick 2 Gang 2 Power 2 USB 5A "C" and "A" Ports (3' to 6' Plus) 15' Cord - Aluminum
18315	SW-321STK-2PUSB15-SLT	Stick 2 Gang 2 Power 2 USB 5A "C" and "A" Ports (3' to 6' Plus) 15' Cord - Slate
18321	SS-BRSH-BLK	Brush Insert for Decora Opening
18277	SW-CVR-TOOL	Smart-Way Cover Removal Tool



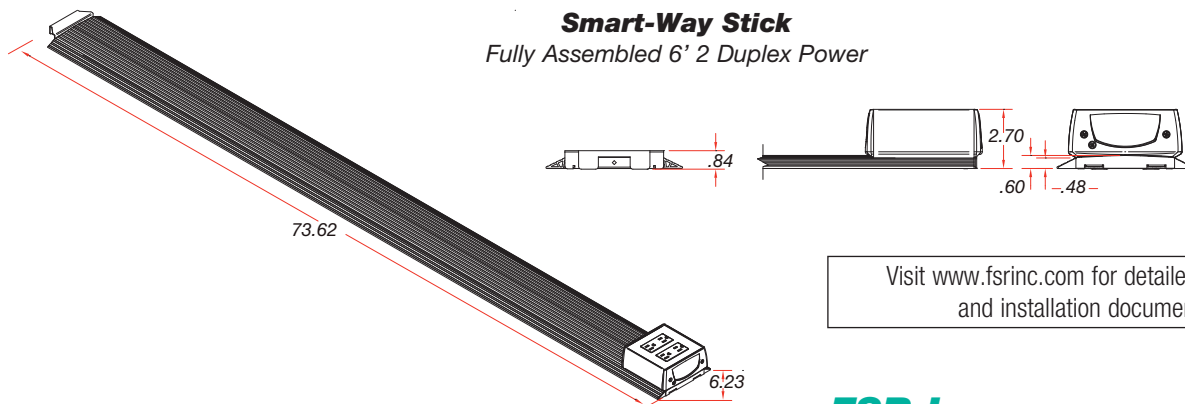
DIMENSIONS

321 Snap Stick



Smart-Way Stick

Fully Assembled 6' 2 Duplex Power



Visit www.fsrinc.com for detailed drawings and installation documents.

FSR Inc.

244 Bergen Boulevard, Woodland Park, NJ 07424
 Phone: 973.785.4347 · Fax: 973.785.4207
 Web: www.fsrinc.com · E-mail: sales@fsrinc.com



Specifications are subject to change without notice.