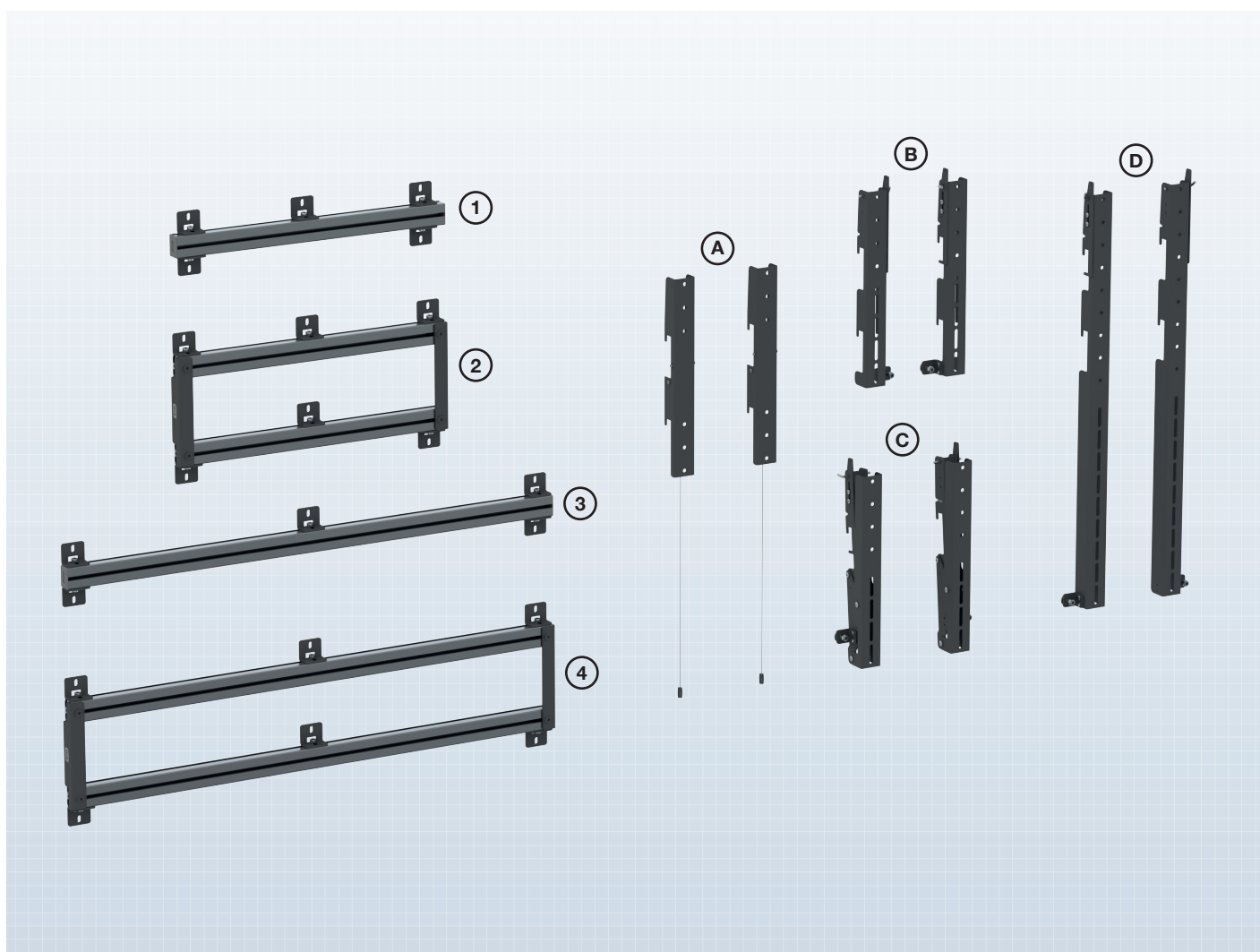


SMS LFD MODULES PRO



Maximal stability for large and heavy displays

A professional modular system, developed to offer tailored solutions for extremely large and heavy displays. The series is based on SMS appreciated flexible solutions for videowalls, while focusing on obtaining maximal stability for large and heavy displays up to VESA 900 x 900 and 200 kg. Pick n mix to find the perfect solution that exactly fits your needs.

Step 1: select a wall bracket that is suitable for the weight and size of the display.

Step 2: select a display fixture that is suitable for the display and provides the functions you require.

Choose between:

- Landscape or portrait mode
- With or without tilt
- An ergonomic click locking system for large displays which minimize the risk for demount the display by mistake.

The rails are easy to insert and remove, and the accurate pre-assembly ensures that all modules are easy to mount and install. The solution is universal.

Finish: anthracite grey.

Please observe that two article numbers are required for a complete order, one for the selected wall rails and one for the display fitting.

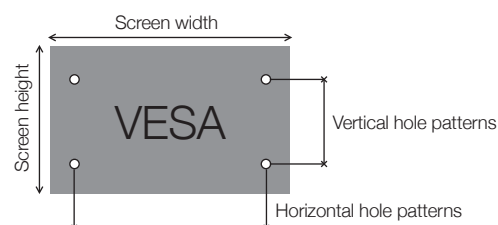
QUESTIONS AND ANSWERS

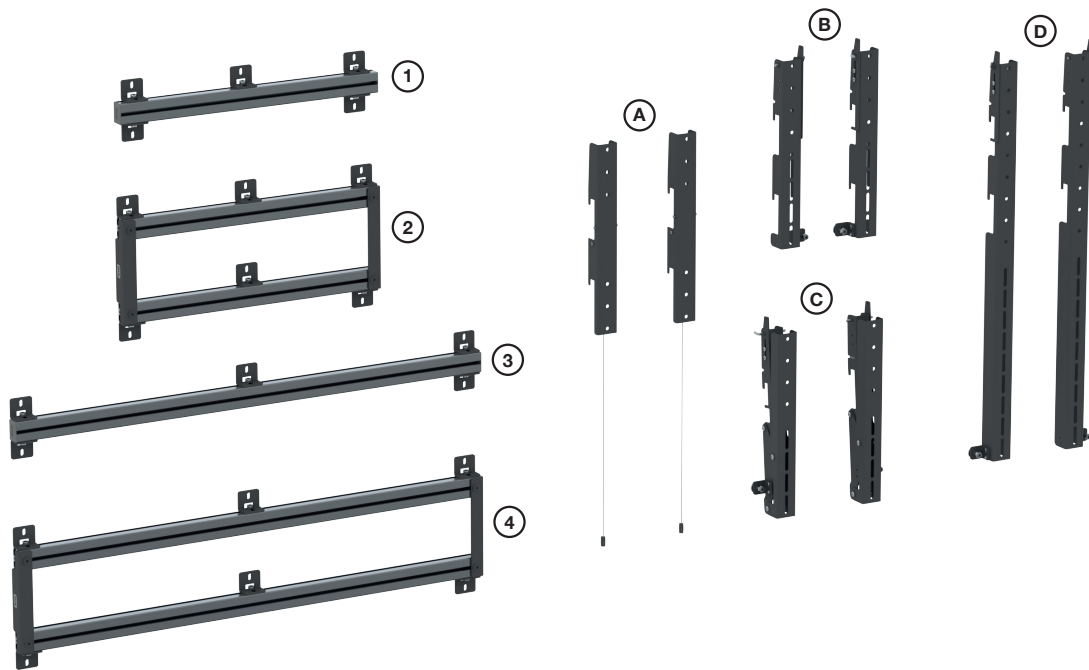
How many people are required to assemble the bracket?

- Two people are required – one on each side of the display to make sure it is mounted level.

How deep do the holes for mounting the wall fittings have to be?

- The holes should be at least 70 mm deep to obtain sufficient stability. Use plugs when mounting on a concrete wall.





STEP 1: Select wall rails

- 1** ART. NO. [PW030001](#)
DESCRIPTION SMS LFD Modules PRO I 400

 - Recommended display size: 46"-
 - Max. weight 100 kg
 - Minimum hole patterns 200 mm horizontal
 - Maximum hole patterns 400 mm horizontal
 - Suitable for use with PW030004, PW030005, PW030006
- 2** ART. NO. [PW030002](#)
DESCRIPTION SMS LFD Modules PRO II 400

 - Recommended display size: 46"-
 - Max. weight 200 kg
 - Minimum hole patterns 200 mm horizontal
 - Maximum hole patterns 400 mm horizontal
 - Suitable for use with PW030003, PW030004, PW030006
- 3** ART. NO. [PW030007](#)
DESCRIPTION SMS LFD Modules PRO I 900

 - Recommended display size: 55"-
 - Max. weight 100 kg
 - Minimum hole patterns 200 mm horizontal
 - Maximum hole patterns 900 mm horizontal
 - Suitable for use with PW030004, PW030005, PW030006
- 4** ART. NO. [PW030008](#)
DESCRIPTION SMS LFD Modules PRO II 900

 - Recommended display size: 55"-
 - Max. weight 200 kg
 - Minimum hole patterns 200 mm horizontal
 - Maximum hole patterns 900 mm horizontal
 - Suitable for use with PW030003, PW030004, PW030006

STEP 2: Select display fitting

- A** ART. NO. [PW030003](#)
DESCRIPTION SMS LFD Modules Vertical Bars Click Lock

 - Recommended display size: 46-95"
 - Minimum hole patterns 200 mm vertical
 - Maximum hole patterns 400 mm vertical
 - Fittings for easy locking of the display
- B** ART. NO. [PW030004](#)
DESCRIPTION SMS LFD Modules Vertical Bars No Tilt

 - Recommended display size: 46-95"
 - Minimum hole patterns 100 mm vertical
 - Maximum hole patterns 400 mm vertical
 - Stable fittings that are suitable for all wall rails
- C** ART. NO. [PW030005](#)
DESCRIPTION SMS LFD Modules Vertical Bars Tilt

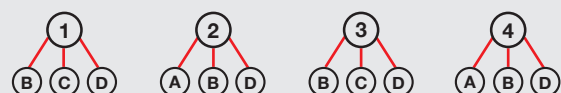
 - Recommended display size: 46-95"
 - Minimum hole patterns 100 mm vertical
 - Maximum hole patterns 400 mm vertical
 - Tilt 5° -15° for displays up to 100 kg
- D** ART. NO. [PW030006](#)
DESCRIPTION SMS LFD Modules XL Vertical Bars No Tilt

 - Recommended display size: 46-95" portrait, 70" and up, landscape
 - Minimum hole patterns 100 mm vertical
 - Maximum hole patterns 900 mm vertical
 - Stable fittings for XL displays mounted in portrait mode


NB!

Two article numbers are required for a complete order, one for the selected wall rails and one for the display fitting.

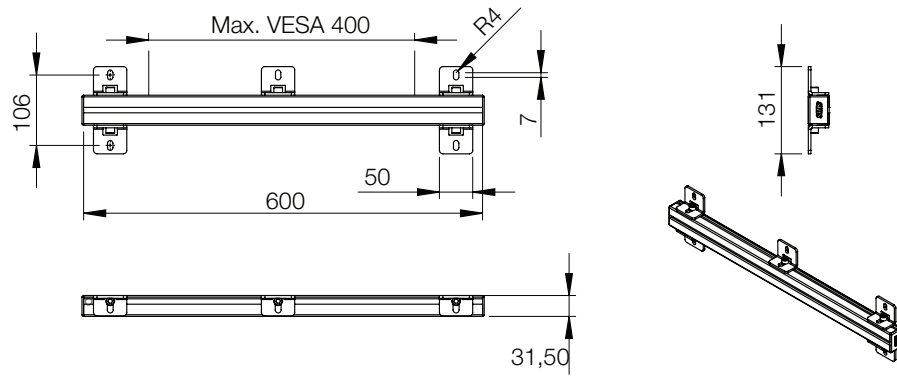
See the compatibility of display fittings and wall rails below:




PW030001

Max. load = 100 kg. 

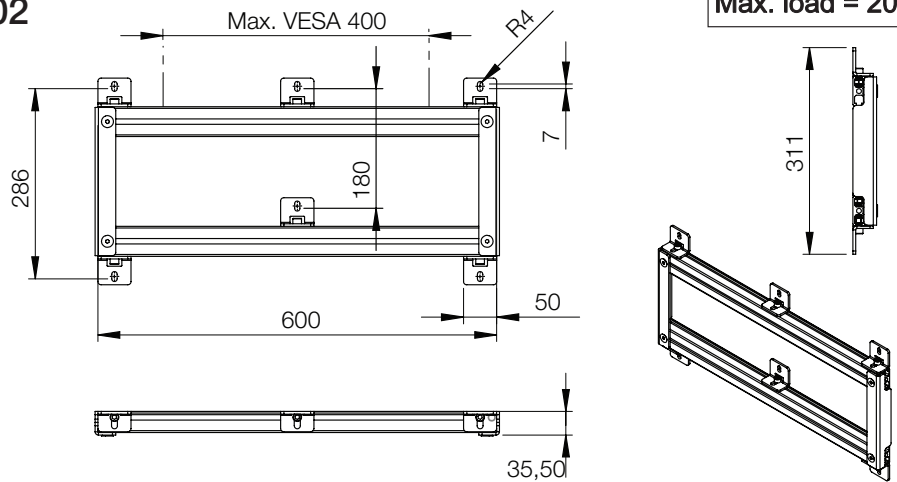
1




PW030002

Max. load = 200 kg. 

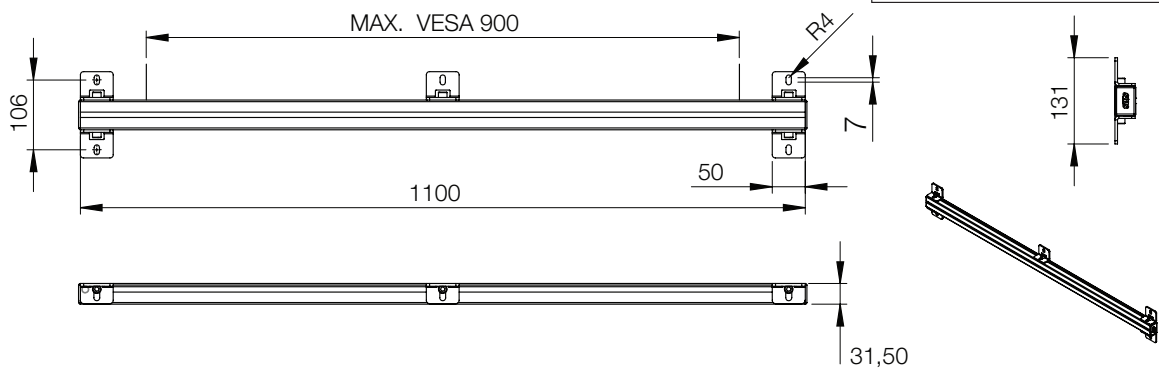
2




PW030007

Max. load = 100 kg. 

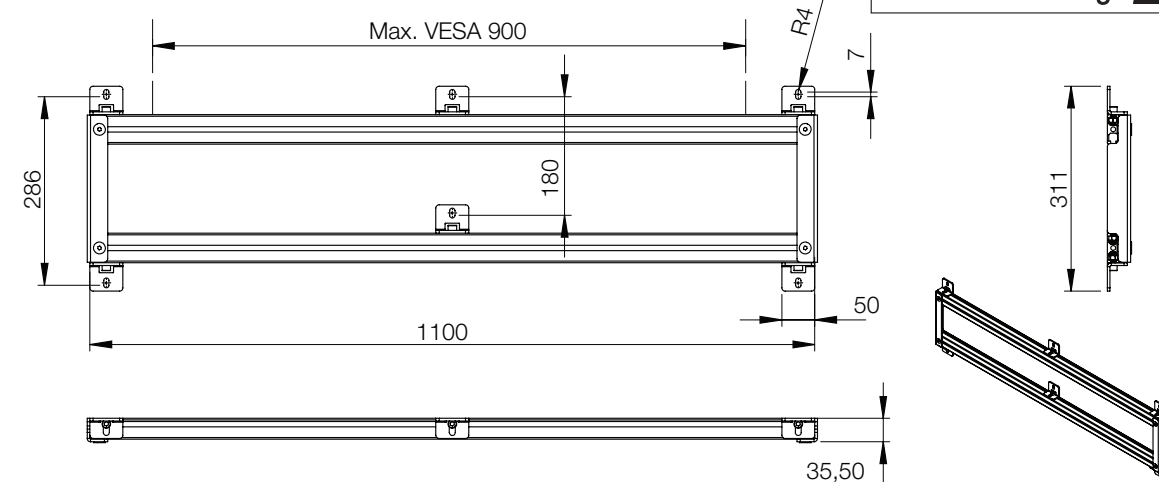
3



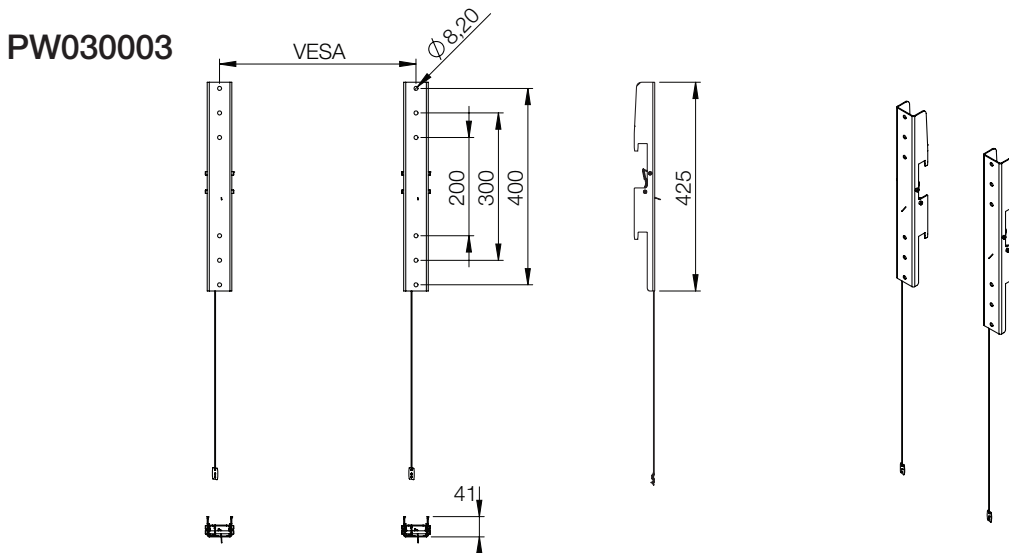
PW030008

Max. load = 200 kg. 

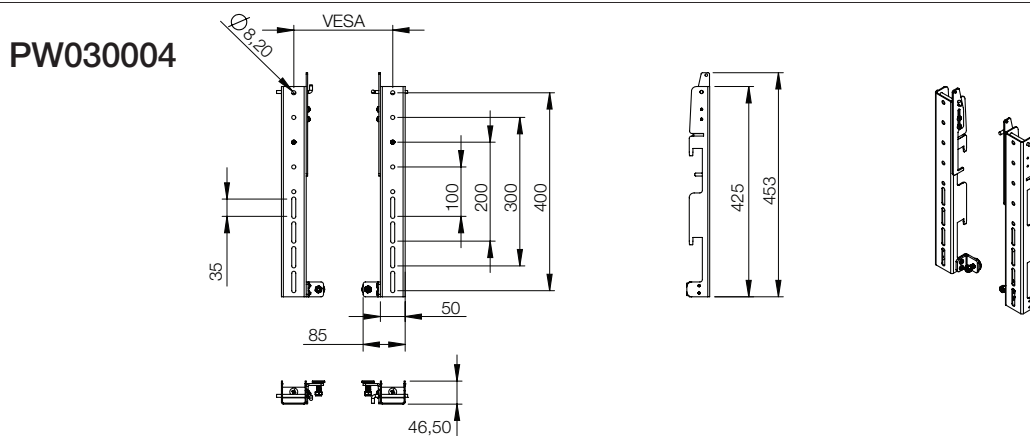
4



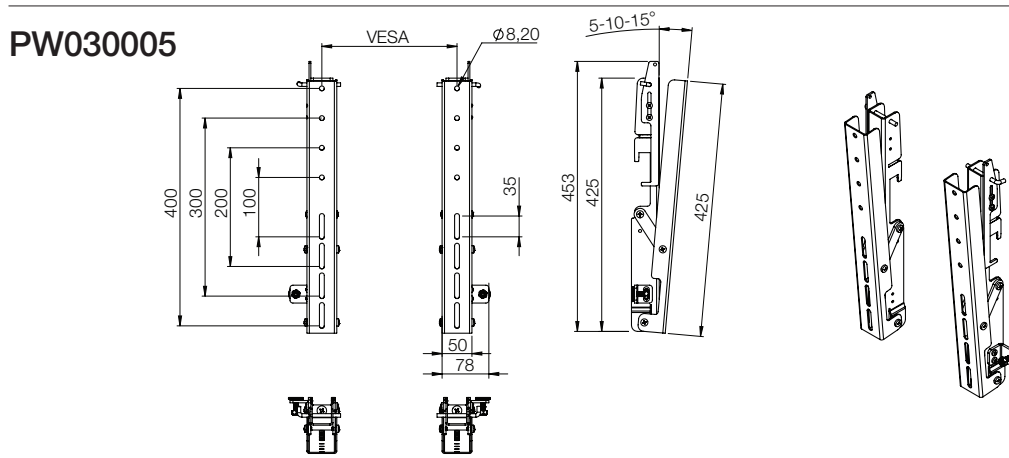
(A)



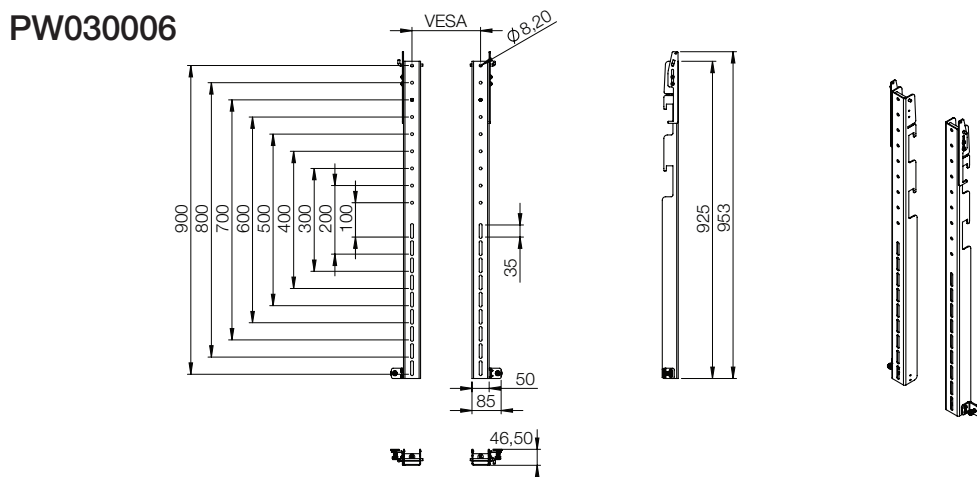
(B)



(C)



(D)



A006106_A, A006103_A We reserve the right to introduce changes in the product specifications after the printing and publication of this document.