

SMS FLATSCREEN X WH VIDEO CONFERENCE



A double-sized distance conference on the wall.
New, updated model that can be used with more screen sizes.
Our wall-mounted videoconference system, with space for double screens and a top-mounted video camera, can now accommodate screens of dimension 40-46" (depending on VESA and the weight of the screens). In addition, it is now easier to make fine adjustments of the screens during installation. The camera shelf and its bracket are ordered separately. The system can be fitted with electrical power sockets (ordered separately) and it is easy to add shelves and cabinets for DVDs and other peripherals, depending on the column length selected.

The X series is characterised by clean and refined features. The cable holder, for example, into which it is easy to place all cables by hand. The surface finish has also been given extra attention.



SMS FLATSCREEN X - WH VIDEO CONFERENCE

INFO

- Finish: A/W (Aluminium/white).
- Maximum load: 35 kg/screen.
- Length (column): 1105 or 1455 mm.

Suitable for VESA standards: 200 x 200-800 x 400 mm.

The minimum width of the screen is 900 mm, and its maximum width is 1350 mm.

The recommended screen size, taking the weight of the screen and its hole pattern into consideration, is: 40-46".

ART. NO

PD081010-P0
PD081011-P0

DESCRIPTION

SMS Flatscreen X WH 1105 Video Conference
SMS Flatscreen X WH 1455 Video Conference

ACCESSORIES:

PD100001	SMS Power Socket EU
PD100002	SMS Power Socket CH
PD100003	SMS Power Socket UK
PD300005-P0	SMS X Shelf White*
PD300006-P0	SMS X Shelf Oak*
PD300007-P0	SMS X Shelf Walnut*
PD300010-P0	SMS X Conference Camera Shelf*
PD300011-P0	SMS X Conference Codec/Camera Shelf*
PD300012-P0	SMS X Conference Camera Shelf Wall*
PD300013-P0	SMS X Conference Codec Shelf Wall*
PD400001	SMS X Media Box White*
PD400003	SMS X Media Box Oak*
PD400004	SMS X Media Box Walnut*
PD410001	SMS X Media Box Rack Accessory*
PD400022	SMS X Codec Holder White*

*More information is available in a separate product sheet.



All peripheral equipment readily available using practical accessories such as shelves and cabinets.



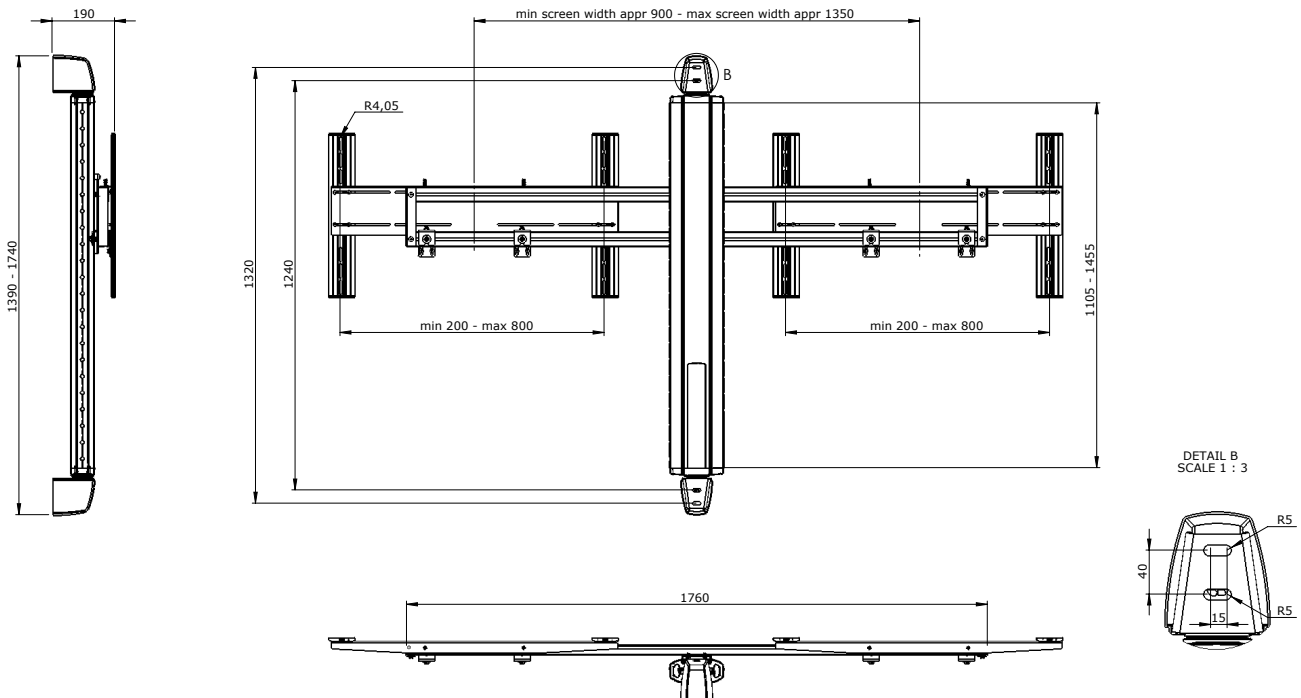
Shelf for practical mounting of the camera.



Electrical power sockets can be mounted at the rear.



Rotatable, discrete, secure attachment.



www.SmartMediaSolutions.se