



HDC-RH101 / HDC-RH201 / HDC-RH401

The IDK HDC-RH101, 201, and 401 are receivers for HDBaseT signal. HDC-RH101, 201, and 401 have HDBaseT daisy chain and HDMI signal splitter functions. By using with the IDK HDC series transmitters, video and audio signals can be extended and distributed to up to four HDMI devices at receiver side.

■ Specification

Item			Description			
Model number			HDC-RH101	HDC-RH201	HDC-RH401	
Input	Video	HDBaseT	Number / Signal	1 input / HDBaseT - HDCP - TMDS single link - TMDS clock: 25 MHz to 225 MHz - Dot clock: 25 MHz to 165 MHz		
			Connector	1 RJ-45 (*2)		
		Formats	480i / 480p / 576i / 576p / 720p / 1080i / 1080p VGA to QWXGA * VESA1080 / WUXGA / QWXGA: only Reduced Blanking is supported.			
	Color depth	24 bit, 30 bit, 36 bit Deep Color				
	Audio	Digital	Number / Signal	1 input / Multi-channel LPCM up to 8 channels - Sampling frequency: 32 kHz to 192 kHz - Sample bit: 16 bit to 24 bit - Reference level: -20 dBFS - Max. input level: 0 dBFS		
			Connector	1 RJ-45 (*2)		
Output	Video	HDMI / DVI	Number	1 output	2 outputs	4 outputs
			Signal	HDMI (*1) / DVI 1.0 - HDCP - TMDS single link - TMDS clock: 25 MHz to 225 MHz - Dot clock: 25 MHz to 165 MHz		
			Connector	1 female HDMI Type A (*5)	2 female HDMI Type A (*5)	4 female HDMI Type A (*5)
		HDBaseT	Number / Signal	1 output / HDBaseT (Daisy Chain) - HDCP - TMDS single link - TMDS clock: 25 MHz to 225 MHz - Dot clock: 25 MHz to 165 MHz y		
			Connector	1 RJ-45 (*2)		
			Formats	480i / 480p / 576i / 576p / 720p / 1080i / 1080p VGA to QWXGA * VESA1080 / WUXGA / QWXGA: only Reduced Blanking is supported.		
	Color depth	24 bit, 30 bit, 36 bit Deep Color				
	Audio	Digital	Number	1 output	2 outputs	4 outputs
			Signal	Multi-channel LPCM up to 8 channels - Sampling frequency: 32 kHz to 192 kHz - Sample bit: 16 bit to 24 bit - Reference level: -20 dBFS - Max. output level: 0 dBFS		
			Connector	1 female HDMI Type A (*3)	2 female HDMI Type A (*3)	4 female HDMI Type A (*3)
		Daisy Chain	Number / Signal	1 output / Multi-channel LPCM up to 8 channels - Sampling frequency: 32 kHz to 192 kHz - Sample bit: 16 bit to 24 bit - Reference level: -20 dBFS - Max. output level: 0 dBFS		
			Connector	1 RJ-45 (*2)		
Others			Daisy chain connection Seven segment LED signal status check Anti-Snow (*4) Connection Reset (only HDMI output) (*5) RS-232C (pass through) (*6)			
Plug & Play			DDC2B (can be selected from Built-in EDID, Copied EDID, and EDID of connected monitor)			
Cable			CAT.5E HDC, Cat5e UTP / STP, Cat6 UTP / STP (*7)			
Max. extension distance			197 ft. (60 m) (*8)			
Control	Serial control port	Number / Signal	1 port / RS-232C, pass through 115.2 kbps			
		Connector	1 RJ-45 (*6)			
Others	AC adapter		100 - 240 VAC ± 10%, 50 Hz / 60 Hz ± 3 Hz			
	Power consumption		About 13 Watts	About 16 Watts	About 19 Watts	
	Dimensions		8.3 x 1.7 x 11.8" (210 (W) x 44 (H) x 300 (D) mm) (EIA 1U high, half rack wide) (Excluding connectors and the like)			
	Weight		4.2 lbs. (1.9 kg)	4.2 lbs. (1.9 kg)	4.4 lbs. (2.0 kg)	
	Temperature		Operating: 32°F to 104°F (0°C to +40°C) Storage: -4°F to +176°F (-20°C to +80°C)			
	Humidity		Operating/ Storage humidity: 20% to 90% (Non Condensing)			

●All specifications and drawings are subject to change without notice. ●Please do not use the supplied AC adapter and power supply cable for other products. ●Blu-ray Disc and Blu-ray are trademarks of Blu-ray Disc Association. ●The terms HDMI and HDMI High-Definition Multimedia Interface, and the HDMI Logo are trademarks or registered trademarks of HDMI Licensing Administrator, Inc. in the United States and other countries. ●PJLink is a trademark in Japan, the United States, and other countries/regions. ●HDBaseT™ and the HDBaseT Alliance Logo are trademarks of the HDBaseT Alliance. ●The terms Anti-snow and Connection Reset are registered trademarks of IDK Corporation in Japan ●IP-NINJAR is a registered trademarks of IDK Corporation. ●All other company and product names mentioned in this document are either registered trademarks or trademarks of their respective owners. In this document, the “®” or “™” marks may not be specified.

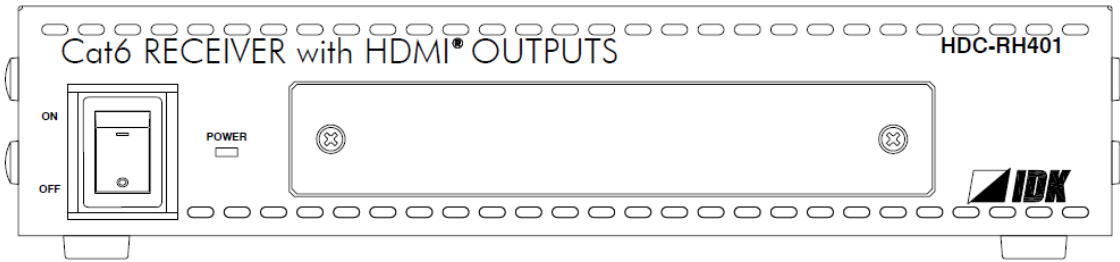
- *1 x.v.Color, HEC, 3D, and ARC are not supported.
CEC: Pass-through between the input and a selected output.
- *2 RJ-45 (HDBaseT input/output connectors) is only for Cat5e/Cat6 twisted pair cable. Please do not use it for LAN devices or the like.
- *3 Please use HDMI cable which is shorter than 16 ft. (5 m).
- *4 The anti-snow feature automatically fixes snow noise that is a specific symptom of HDCP-compliant signals and mainly occurs at start-up. This feature does not work when snow noise has already occurred during startup or when it occurs due to a bad condition of the transmission line.
- *5 For digital systems, some problems, such as an HDCP authentication error, can often be recovered by physically disconnecting and reconnecting the digital cables. However, the Connection Reset feature will fix these problems automatically without the need to physically plug and unplug the cables. It creates the same condition as if the cable were physically disconnected and reconnected. This feature only works for the HDC's output. If other devices are connected between the HDC's output and sink device, this feature may be invalid.
- *6 RS-232C: One-way pass-through. When the HDC is powered on and the "LINK" LED illuminates, signals can be transmitted over RS-232C at up to 115.2 kbps.
- *7 T568A or T568B straight connection. HDC.CAT5E cable is HDBaseT recommended cable which IDK developed.
- *8 The maximum extension distance is the shorter one of transmitter/receiver/sink device connected to the HDC-RH101, 201, and 401.

To transmit HDCP-compliant DVI signals, use an IDK' HDBaseT extender supporting DVI.

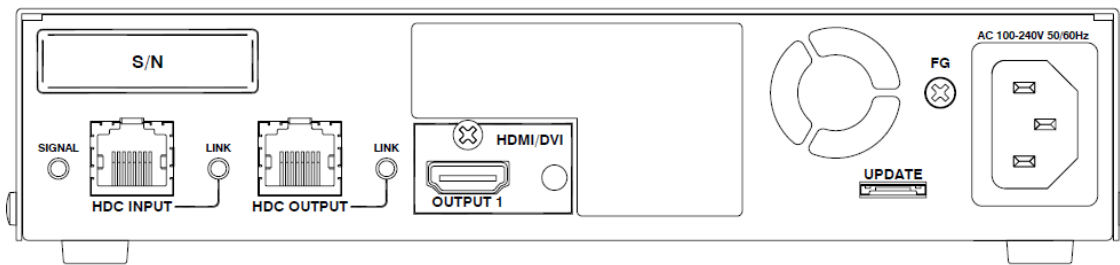
●All specifications and drawings are subject to change without notice. ●Please do not use the supplied AC adapter and power supply cable for other products. ●Blu-ray Disc and Blu-ray are trademarks of Blu-ray Disc Association. ●The terms HDMI and HDMI High-Definition Multimedia Interface, and the HDMI Logo are trademarks or registered trademarks of HDMI Licensing Administrator, Inc. in the United States and other countries. ●PjLink is a trademark in Japan, the United States, and other countries/regions. ●HDBaseT™ and the HDBaseT Alliance Logo are trademarks of the HDBaseT Alliance. ●The terms Anti-snow and Connection Reset are registered trademarks of IDK Corporation in Japan ●IP-NINJAR is a registered trademarks of IDK Corporation. ●All other company and product names mentioned in this document are either registered trademarks or trademarks of their respective owners. In this document, the “®” or “™” marks may not be specified.

■ Front and rear panels

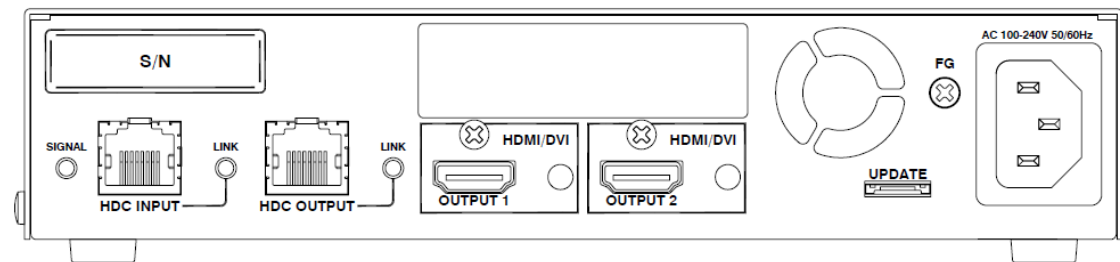
Front panel



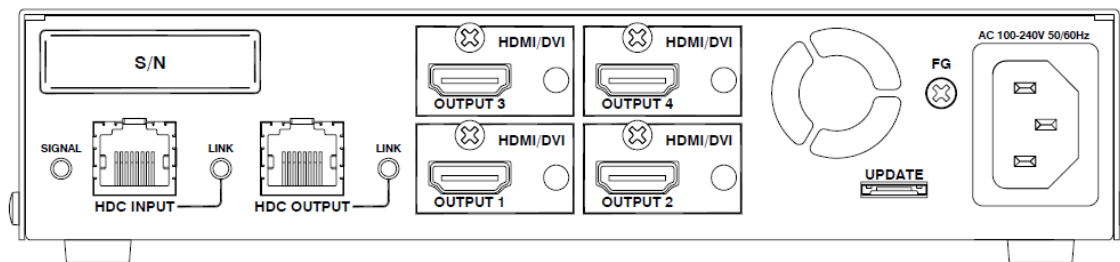
HDC-RH101: Rear panel



HDC-RH201: Rear panel



HDC-RH401: Rear panel

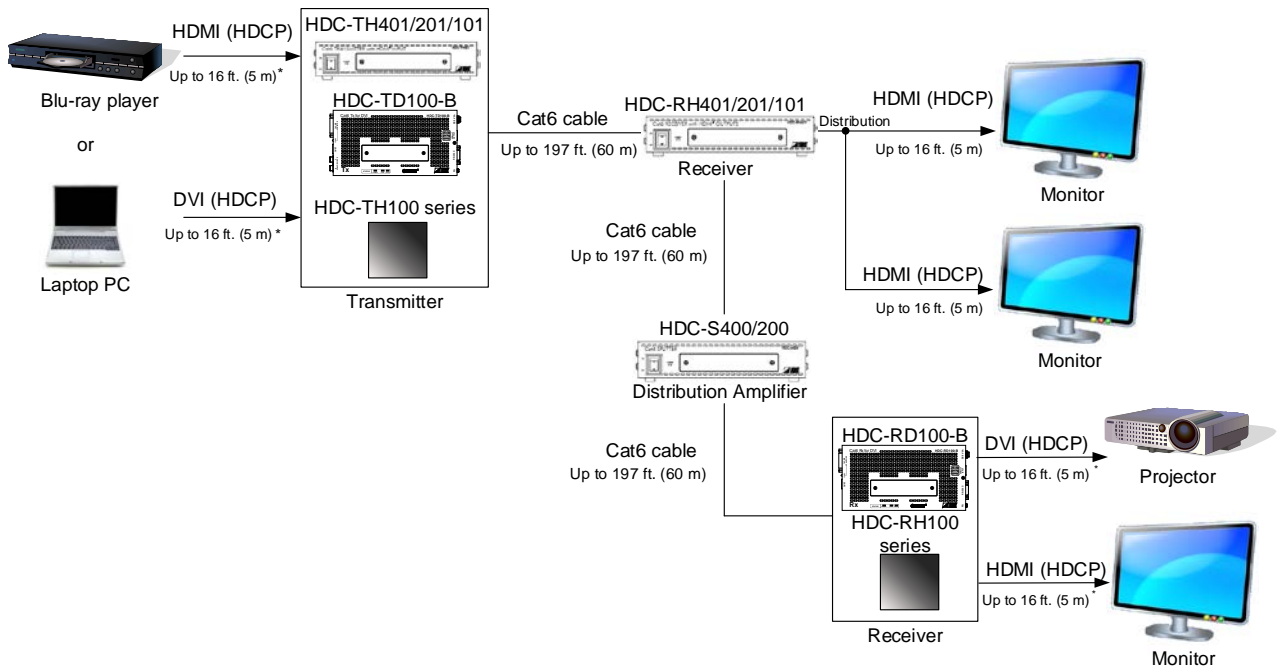


●All specifications and drawings are subject to change without notice. ●Please do not use the supplied AC adapter and power supply cable for other products. ●Blu-ray Disc and Blu-ray are trademarks of Blu-ray Disc Association. ●The terms HDMI and HDMI High-Definition Multimedia Interface, and the HDMI Logo are trademarks or registered trademarks of HDMI Licensing Administrator, Inc. in the United States and other countries. ●PjLink is a trademark in Japan, the United States, and other countries/regions. ●HDBaseT™ and the HDBaseT Alliance Logo are trademarks of the HDBaseT Alliance. ●The terms Anti-snow and Connection Reset are registered trademarks of IDK Corporation in Japan ●IP-NINJAR is a registered trademarks of IDK Corporation. ●All other company and product names mentioned in this document are either registered trademarks or trademarks of their respective owners. In this document, the “®” or “™” marks may not be specified.



HDC-RH101 / HDC-RH201 / HDC-RH401 Diagram and Features

■ Sample connection diagram



[Features]

■ Video

- Up to QWXGA (RB)^{*1} or 1080p
- HDCP
- Up to 197 ft. (60 m) signal extension over a Cat6 cable
- Daisy chain connection
- Anti-snow

■ Others

- EDID emulation
- Seven segment LED signal status check
- Connection Reset (only HDMI output)

^{*1} (RB) = Reduced Blanking

●All specifications and drawings are subject to change without notice. ●Please do not use the supplied AC adapter and power supply cable for other products. ●Blu-ray Disc and Blu-ray are trademarks of Blu-ray Disc Association. ●The terms HDMI and HDMI High-Definition Multimedia Interface, and the HDMI Logo are trademarks or registered trademarks of HDMI Licensing, LLC in the United States and other countries. ●PJLink is a trademark in Japan, the United States, and other countries/regions. ●HDBaseT™ and the HDBaseT Alliance Logo are trademarks of the HDBaseT Alliance. ●The terms Anti-snow and Connection Reset are registered trademarks of IDK Corporation in Japan ●IP-NINJAR is a registered trademarks of IDK Corporation. ●All other company and product names mentioned in this document are either registered trademarks or trademarks of their respective owners. In this document, the “®” or “™” marks may not be specified.