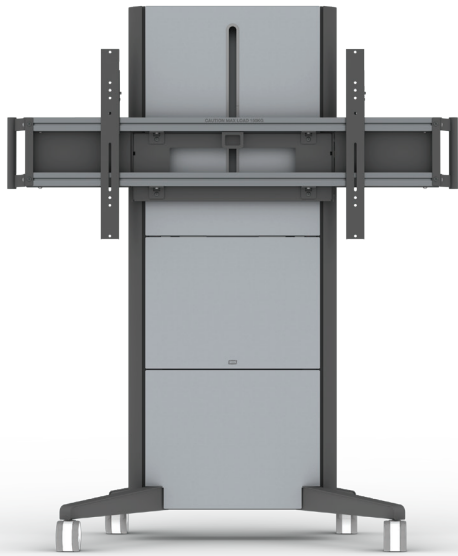


SMS PRESENCE

MOBILE MOTORIZED XL



Elegant stability for the largest displays.

This is the XL version of our unique design product that completely hides cables and peripherals inside. Attractive and elegant from all sides, thus able to be placed in the centre of the room. Perfect for large, heavy and touch sensitive displays, such as Microsoft Surface Hub 84", due to the very stable, patented design.

The motorised height adjustment is soft and quiet, readily available from a button at the side of the unit.

Motorized height adjustment works for most markets (both 110 and 230V) and allows you to work ergonomically.

The display can be locked with the accompanying locking screw for personal safety, or with a padlock (not included) which provides increased protection from theft.

The factory pre-assembly means that installation is easy and quick, while the hidden cable chain inside the product ensures that the cables run freely with no risk of fastening.

The design of the SMS Presence is, furthermore, protected.

Maximum display weight: 150 kg.
Finish: Aluminium/Anthracite grey.

▲ INFO

Finish: Aluminium/Anthracite Grey

Maximum display weight: 150 kg

Horizontal VESA: 200 – 1200 mm

Vertical VESA: 100 – 600 mm

Security: The display can be locked with a locking screw (included) or padlock (not included) to increase personal safety and security from theft.

Stroke length: 500 mm

Recommended display size: from approx 80" and up.

Suitable for Microsoft Surface Hub 84".

Extensively factory-mounted for easy installation.

Easy to assemble, easy to move.

Motorized up and down travel (100 VAC – 240 VAC, 50/60 Hz)

The product is supplied with a handle.

Dedicated area for cables and peripherals inside the product: 550 (W) x 380 (H) x 132 mm (D).

Protected design.

Warranty: 2 years.

▲ ABOUT THE PRODUCT

- An ergonomic and flexible product.
- Attractive and elegant on all sides, and thus able to be placed in the centre of the room.
- Perfect for large, heavy displays and touch sensitive displays, such as Microsoft Surface Hub 84", due to the very stable, patented design.
- Motorized up and down travel allows you to work ergonomically.



▲ QUESTIONS AND ANSWERS

How do I get access to cables and equipment inside the product?

– Removable magnetic covers on both front and back of the product make it easy to get access to cables and media equipment.

Is it difficult to move the bracket with a display mounted?

– No, it's easy. You can move the equipment easily and safely from one room to another with the aid of the handles.

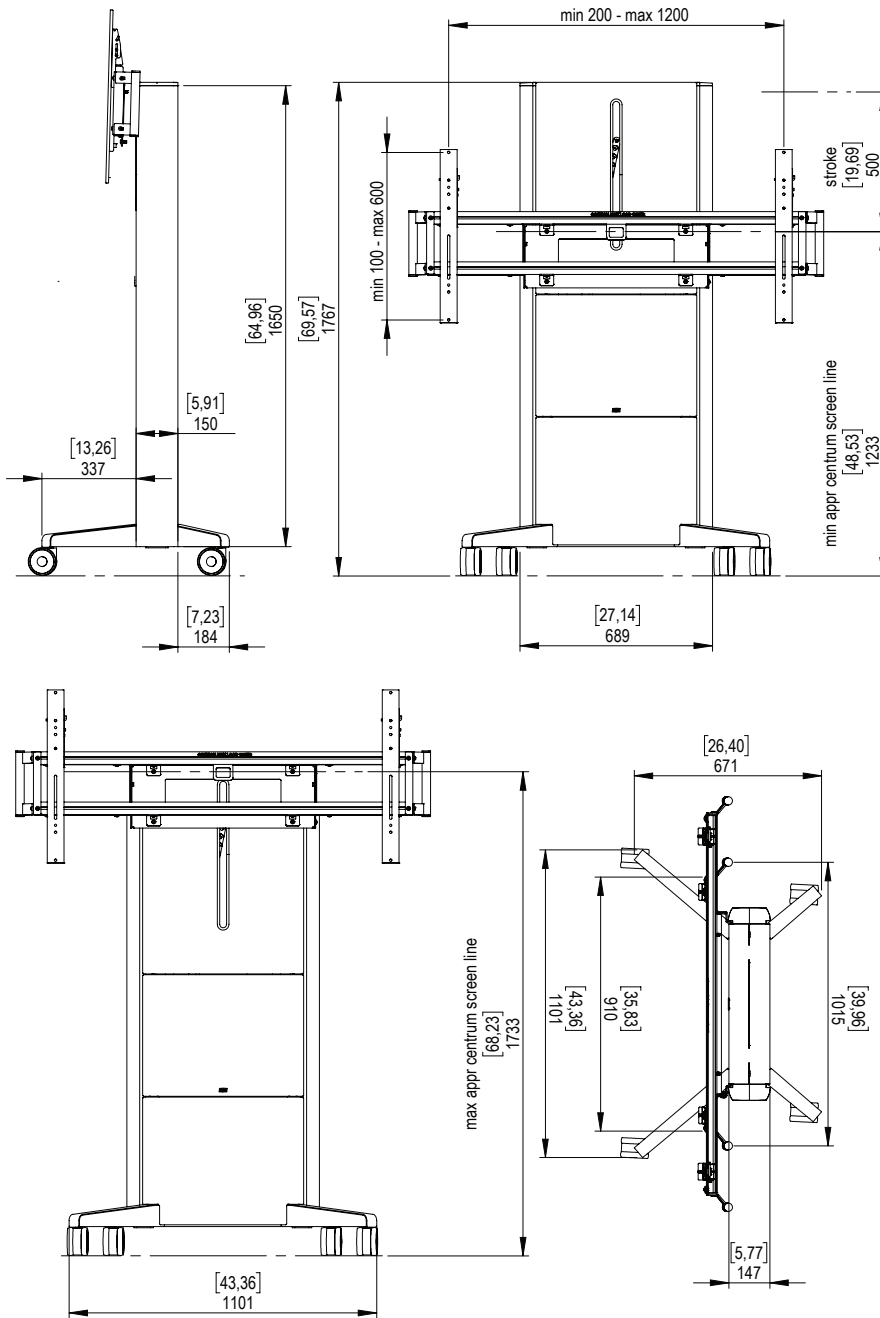
▲ SIMPLE ORDERING

ARTICLE NO.:

C5-31U007-2-C-0 SMS Presence Mobile Motor XL EU

▲ TECHNICAL DRAWING (MM/INCH)

C5-31U007-2-C-0 / SMS PRESENCE MOBILE MOTORIZED XL

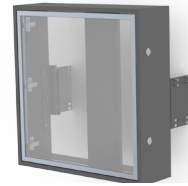


▲ MOTORIZED HEIGHT ADJUSTMENT



Motorized height adjustment works with both 110 and 230 V (most markets).

▲ ACCESSORIES



- PR100001 SMS Presence Camera Shelf
- PR400001 SMS Presence Media Box Glass
- PR400003 SMS Presence Media Box Perforated Door
- C5-21U005-2-A SMS Presence Tower Box Glass (Mobile)
- C5-21U006-2-A SMS Presence Tower Box Perforated Door (Mobile)

For a complete list of accessories, see www.smartmediasolutions.se