

SMS PRESENCE

MOBILE



Attractive from all sides.

An ergonomic and flexible product that is easy to move and easy to install. Attractive and elegant on all sides, and thus able to be placed in the centre of the room. Perfect for large, heavy displays and touch-sensitive displays, due to the very stable, patented design.

The display can be locked with the accompanying locking screw for personal safety, or with a padlock (not included) which provides increased protection from theft.

The pre-factory assembly means that installation is easy and quick.

The design of the Presence series is, furthermore, protected. Maximum display weight: 120 kg. Finish: Aluminium/anthracite grey

▲ QUESTIONS AND ANSWERS:

How do I gain access to the cables and equipment inside the product?

– Removable magnetic covers on both the front and the back of the product make it easy to gain access to cables and other media equipment.

Is it difficult to move the bracket with a display mounted on it?

– It's easy. You can move the equipment easily and safely from one room to another with the aid of two handles.

▲ INFO

Finish: Aluminium/Antracite Grey

Maximum display weight: 120 kg

Horizontal VESA: 200 – 800 mm

Vertical VESA: 100 – 400 mm

Security: The display can be locked with a locking screw (included) or padlock (not included) to increase personal safety and security from theft.

Extensively factory-mounted for easy installation.

Easy to move, easy to assemble

A handle for the product is supplied

Dedicated area for cables and peripherals inside the product; 550 (W) x 380 (H) x 132 mm (D)

Protected design.

Guarantee: 5 years.

▲ ABOUT THE PRODUCT

- An ergonomic and flexible product that is easy to move and easy to install.
- Attractive and elegant on all sides, and thus able to be placed in the centre of the room.
- Perfect for large, heavy displays and touch-sensitive displays, due to the very stable, patented design.
- The pre-factory assembly means that installation is easy and quick.



▲ SIMPLE ORDERING

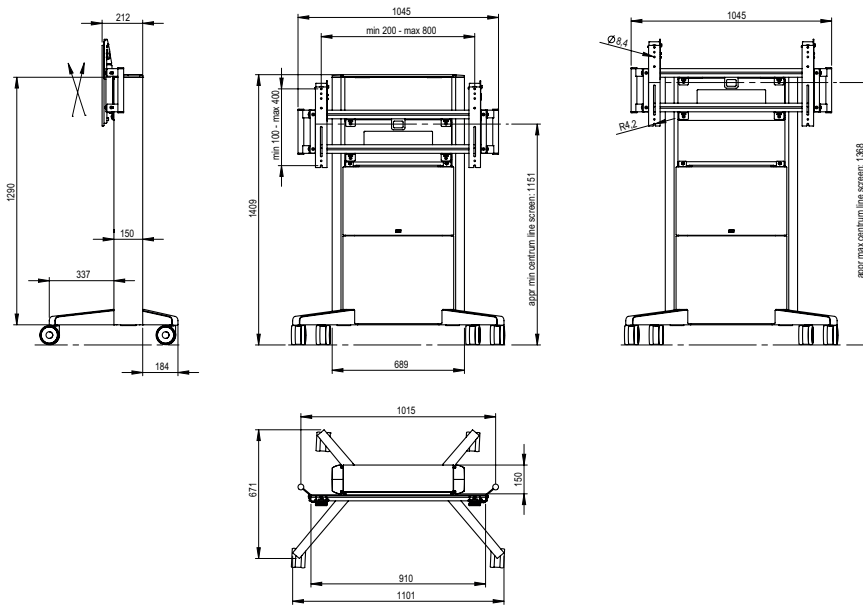
ARTICLE NO.:

C5-31U003-2-A-0 SMS Presence Mobile 1290

C5-31U005-2-A-0 SMS Presence Mobile 1650

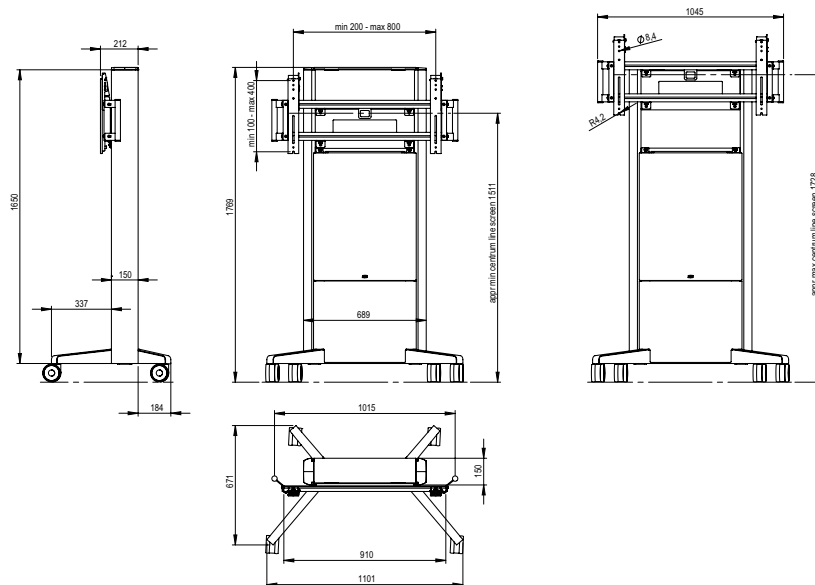
▲ TECHNICAL DRAWING (MM)

C5-31U003-2-A-0 / SMS PRESENCE MOBILE 1290 MM



▲ TECHNICAL DRAWING (MM)

C5-31U005-2-A-0 / SMS PRESENCE MOBILE 1650 MM

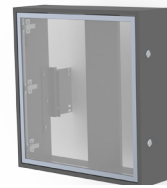


▲ TWO VERSIONS



The product is available in two different lengths, 1290 mm and 1650 mm (in image).

▲ ACCESSORIES



- PR100001 SMS Presence Camera Shelf
- PR400001 SMS Presence Media Box Glass Perforated Door
- PR400003 SMS Presence Media Box Perforated Door
- C5-21U005-2-A SMS Presence Tower Box Glass (Mobile)
- C5-21U006-2-A SMS Presence Tower Box Perforated Door (Mobile)

For a complete list of accessories, see www.smartmediasolutions.se