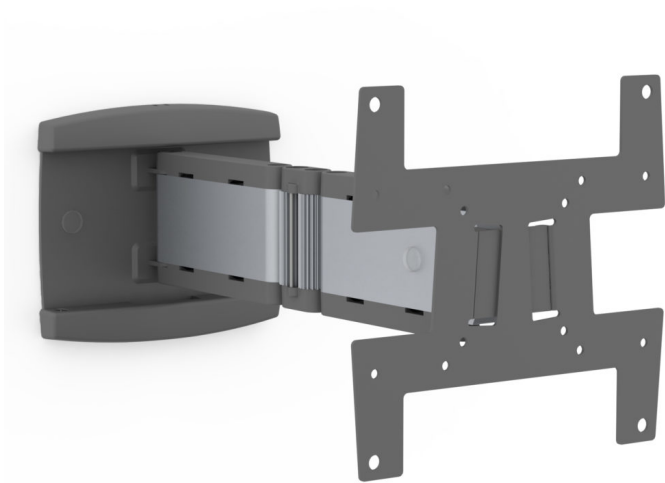


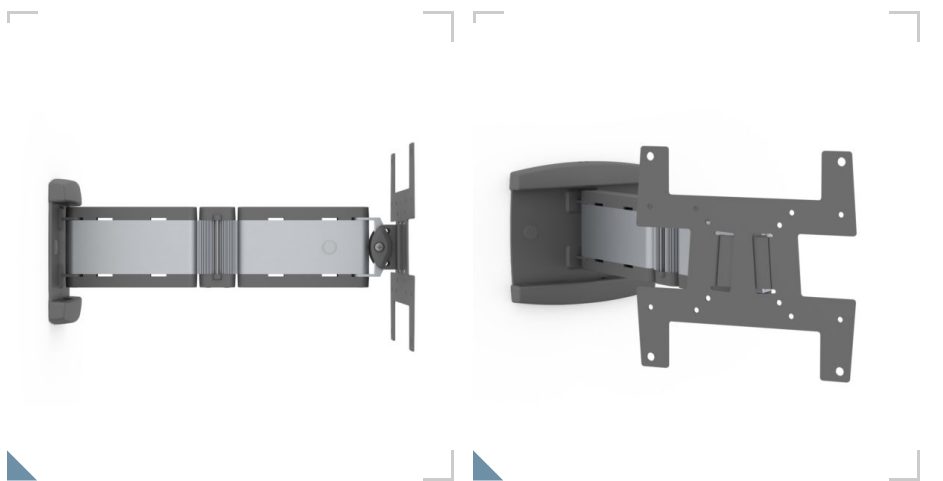
SMS ICON WL 3D



Different points of view.

The SMS Icon WL 3D is an elegant way to extend the use of your display, regardless of architectural limitations of the room. The 3D arm can be adjusted almost any way you want. The SMS Icon WL 3D is the smallest and lightest of our 3D arms. Even though we have designed a thin, flat wall bracket it is still very safe and reliable, and carries displays up to 12 kg. The display can be extended as far as 38 centimetres from the wall, or flat against it. Choose one of two finishes: Aluminium/Black or Aluminium/Anthracite Grey.

With VESA 200x200!



ARTICLE NUMBER

C181U003-2A

Icon WL 3D Alu/Anthracite Grey

INFO

PLACEMENT	Wall
ROTATION	Landscape
TILT: PLUS	25
TILT: MINUS	25
SWIVEL: PLUS	90
SWIVEL: MINUS	90
VESA HORIZONTAL	75 - 200
VESA VERTICAL	75 - 200
MAX WEIGHT [KG]	12
WARRANTY [YEARS]	5

PRODUCT VARIATIONS

C181U003-2A - ICON WL 3D ALU/ANTHRACITE GREY

C181U003-1A - ICON WL 3D ALU/BLACK

ACCESSORIES



SMS L ADAPTER 200X100/200X200

FS010110