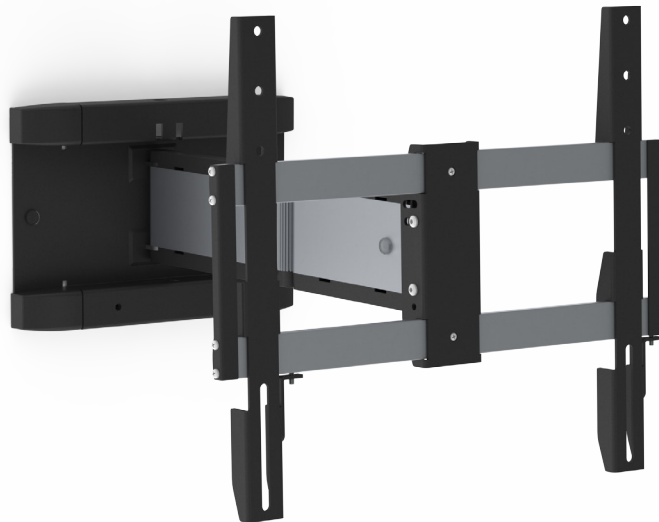


SMS ICON WM 3D



Different points of view?

The SMS Icon WM 3D is an elegant way to extend the use of your display, regardless of the architectural limitations of the room. The SMS Icon WM 3D can be adjusted almost any way you want. A sturdy construction that supports displays up to 25 kg. The display can extend as far as half a metre from the wall, or be placed flat against it. A smooth design, perfect for flexible viewing, such as in the kitchen or in the bedroom. Choose Aluminium/Piano Black or Aluminium/Anthracite Grey, for matching the room and the equipment.

▲ INFO

Finish: Aluminium/Piano Black or Aluminium/Anthracite Grey.

Max load weight: 25 kg

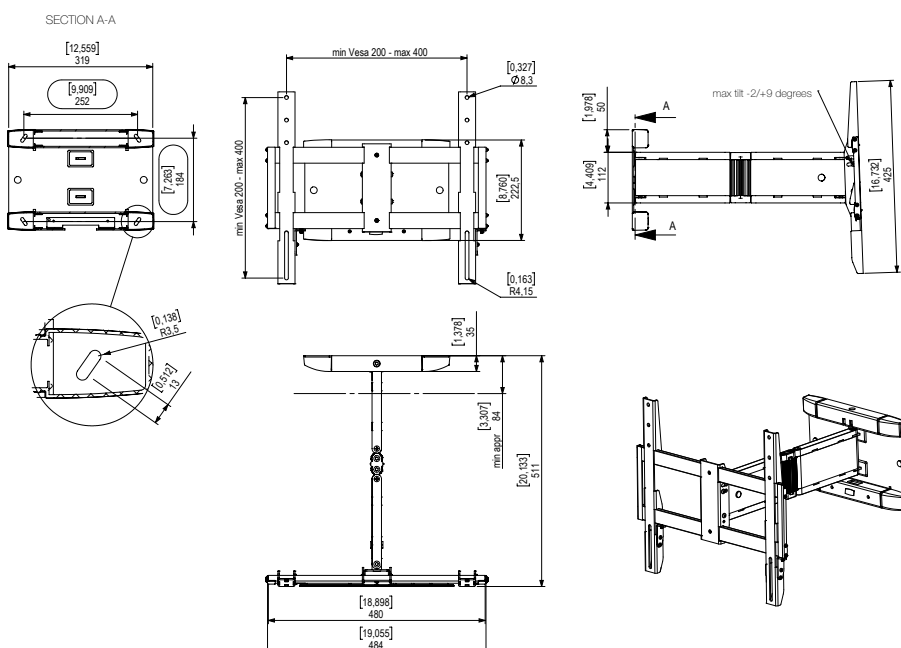
VESA standard: 200 x 200 - 400 x 400 mm

Tilt/Swivel: the display can be tilted -2°/+9° and swiveled +/- 90°.



▲ TEKNISK RITNING (INCH/MM)

C181U002-1A/C181U002-2A ICON WM 3D



▲ SIMPLE ORDERING

ART. NO.

C181U002-1A Icon WM 3D Alu/Black

C181U002-2A Icon WM 3D Alu/Anthracite Grey