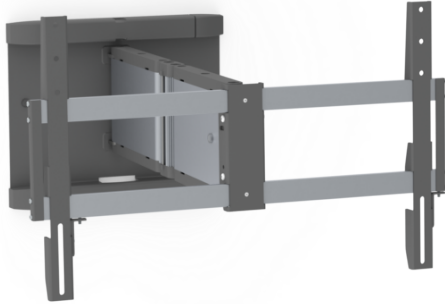


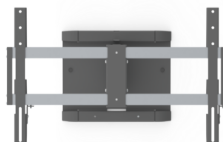
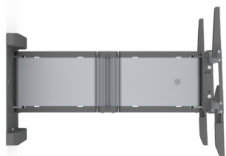
SMS ICON WH 3D



Makes light work of heavy loads

Our large 3D arm in aluminium is both gracile and strong. It can support displays up to 40 kg at a distance of over 60 cm from the wall, or right next to it. Match the equipment with aluminium/Piano Black or Aluminium/Anthracite Grey.

Distance from wall: appr 620 mm (fullyextended).



ARTICLE NUMBER

C181U001-2A

Icon WH 3D Alu/Anthracite Grey

INFO

PLACEMENT	Wall
ROTATION	Landscape
TILT: PLUS	7
TILT: MINUS	2
SWIVEL: PLUS	90
SWIVEL: MINUS	90
VESA HORIZONTAL	200 - 600
VESA VERTICAL	200 - 400
MAX WEIGHT [KG]	40
WARRANTY [YEARS]	5

PRODUCT VARIATIONS

C181U001-1A - ICON WH 3D ALU/BLACK

C181U001-2A - ICON WH 3D ALU/ANTHRACITE GREY

ACCESSORIES



SMS L ADAPTER 200X100/200X200

FS010110