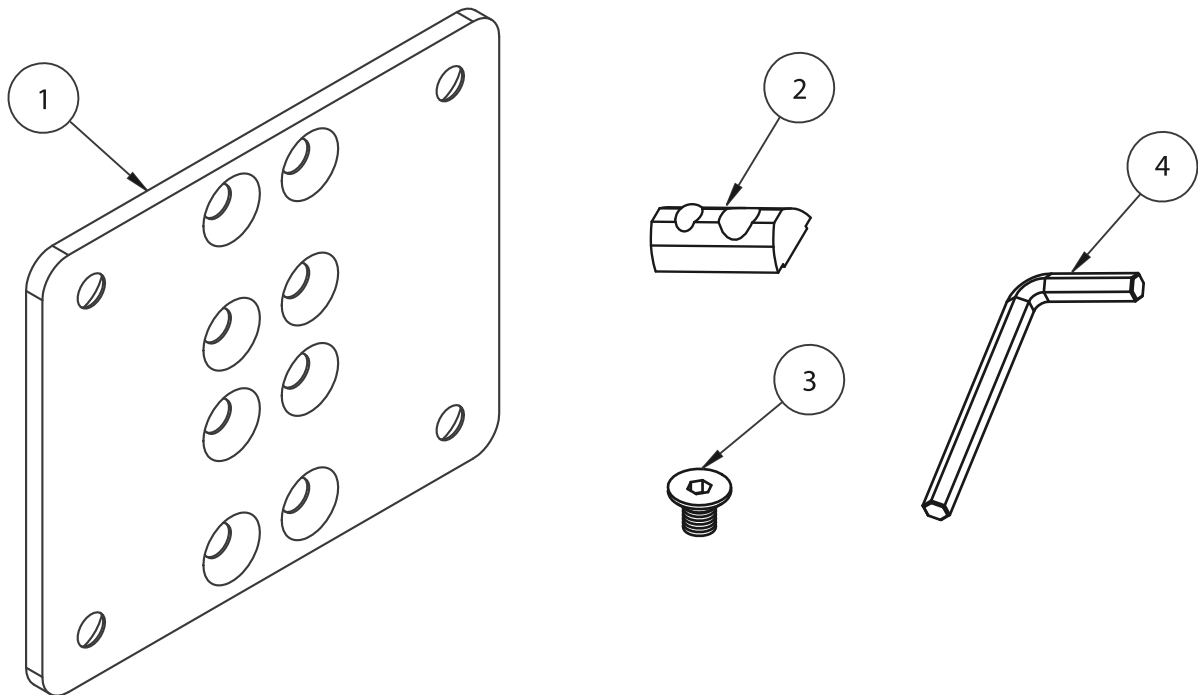


BT8390-CFK

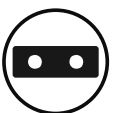
COLLAR MOUNTING BRACKET

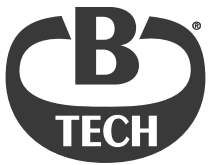
INSTALLATION INSTRUCTIONS



ITEM	PART NAME	QTY
1	COLLAR MOUNTING PLATE	1
2	M8 SLIDING NUT	4
3	M8 x 12mm CSK SCREW	8
4	5AF HEX KEY	1

Designed to work in conjunction with B-Tech's System X and System 2 ranges





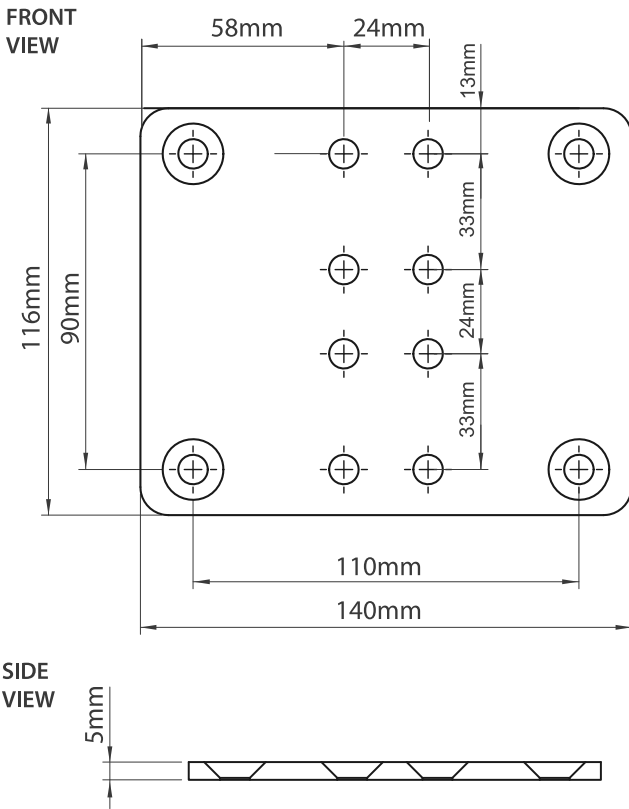
B-TECH AV MOUNTS

BT8390-CFK

COLLAR MOUNTING BRACKET



PRODUCT DIMENSIONS

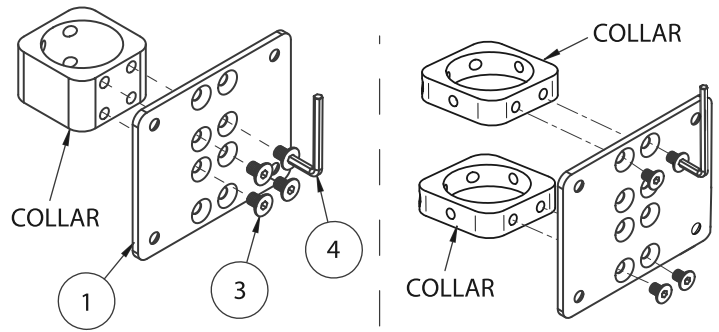


INSTALLATION INSTRUCTIONS

ASSEMBLE COLLAR MOUNTING BRACKET TO RAIL

i. Attach *item 1* to a B-Tech collar (BT7051/BT7052/BT7841).

Note: Ensure grub screws are positioned on the back of the collar.

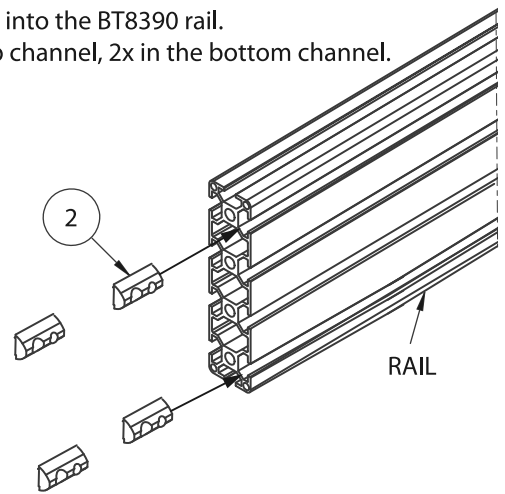


Assembly using 1 heavy duty collar

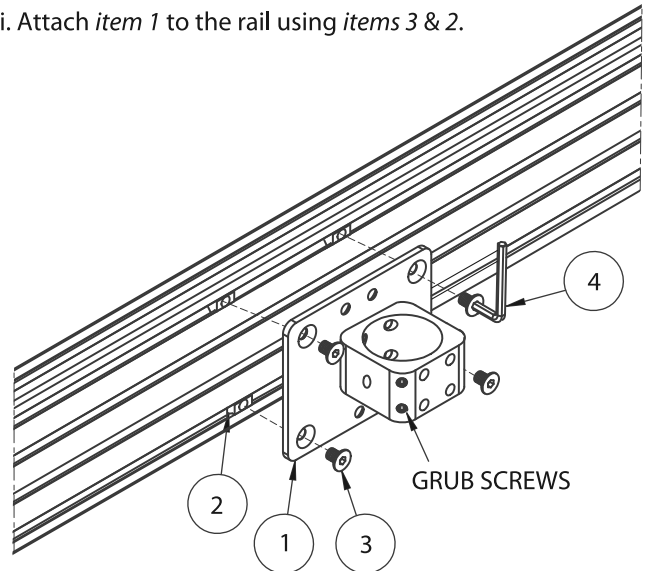
Assembly using 2 single collars

ii. Insert *item 2* into the BT8390 rail.

2x in the top channel, 2x in the bottom channel.



iii. Attach *item 1* to the rail using *items 3 & 2*.



CONTACT:
info@btechavmounts.com

©2021 B-Tech International Design & Manufacturing Ltd. All rights reserved.
 B-Tech AV Mounts is a division of B-Tech International Design & Manufacturing Ltd.
 B-Tech AV Mounts and the B-Tech logo are registered trade marks.
 All other brands and product names are trademarks of their respective owners.
 Photographs are for illustrative purposes only. E&OE.
 AMA-BT8390-CFK-V2.1-1121-123 MADE IN THE P.R.C.

